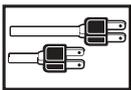




Features

- ▶ 60 mm Ø large
- ▶ **WLK** steady beacon (bulb 7 W)
 - ▶ LED steady beacon (LED-bulb LLL)
 - ▶ LED flashing beacon (LED-bulb LLB)
- ▶ **FLK** strobe beacon
- ▶ WLK – easy bulb change without tools (bayonet)
- ▶ wide range of mounting options
- ▶ 6 lens colours, 2 housing colours
- ▶ with pole connection box additional installation possibilities



Technical data

Type	WLK	FLK
Housing, Colour	ABS, grey or black	
Lens	polycarbonate	
Lens colour	amber, red, clear, blue, green, yellow	
Cable entry	6,5 mm - 12 mm	
Mounting	horizontal, vertical, pole, quick mount	
Duty cycle factor	100 %	
Terminals	1,5 mm ²	2,5 mm ²
Light source	bulb/BA15d	xenon tube
Wattage	7W (12 V: 5W)	1 J
Lifetime (light source)		~ 10 Mio. flashes
Strobe frequency		~ 1,4 Hz
Weight	pls. refer to general weight list page 164-167	

CONFIGURATION

WLK



GL

bulb 7 W



LLL



LLB

LED-bulbs,
steady light (LLL) – flashing light (LLB)



BHW



BVW



BRW



BSW



BWW



BSS



BFW



BWW + BSS

FLK



terminal

sealed electronics



BHF



BVF



BRF



BSF



BWF



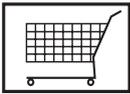
BSS



BFF



BWF + BSS



Order data

Type		Light source		Nominal voltage (V)	Order No.		ORDER DATA ACCESSORIES		
		bulb	LED-bulb		Housing grey	Housing black	Type	Nominal voltage (V)	Order No.
WLK	Steady light Flash. light	GL ---	LLL LLB	up to 250 V AC/DC	820 00C 900		GL01	12 V 5 W	890 010 904
BHW	Base for horizontal mounting				820 120 900	820 520 900	GL02	24 V 7 W	890 010 905
BVW	Base for vertical mounting				820 130 900	820 530 900	GL03	48 V 7 W	890 010 908
BRW	Pole mount base on aluminium tube with plastic foot				820 10L 900	820 50L 900	GL04	60 V 7 W	890 010 909
BSW	Pole mount base on stainless steel tube with zinc die-cast foot, powder coated				820 11L 900	820 51L 900	GL05	110/120 V 7 W	890 010 910
BWW	Pole mount base on aluminium tube for horizontal mounting with screw				820 14L 900	820 54L 900	GL06	230/240 V 7 W	890 010 913
BSS	Set for vertical mounting (additional to BWW)				200 400 900	200 800 900	LED-Bulb BA15d		
BFW	Pole mount base on aluminium tube with foot adapter for quick mount*				820 15L 900	820 55L 900	Steady light		
							LLL	12 V AC/DC	893 00C 404
								24 V AC/DC	893 00C 405
								48 V AC/DC	893 00C 408
								110/120 V AC	893 00C 310
								230/240 V AC	893 00C 313
							Flashing light		
							LLB	12 V AC/DC	893 01C 404
								24 V AC/DC	893 01C 405
								48 V AC/DC	893 01C 408
								110/120 V AC	893 01C 310
								230/240 V AC	893 01C 313



NOTE:

Light sources have to be ordered separately (pls. refer to order data accessories).



Order data

Type	Description	Light source	Nominal voltage (V)	Order No.		Nominal current (mA)
				Housing grey	Housing black	
FLK	Strobe light	xenon tube (built-in)	12-24 V AC/DC	840 00C 405		12 V: 120 24 V: 95
			110/120 V AC	840 00C 310		21
			230/240 V AC	840 00C 313		15
BHF	Base for horizontal mounting			840 101 900	840 501 900	
BVF	Base for vertical mounting			840 102 900	840 502 900	
BRF	Pole mount base on aluminium tube with plastic foot			840 12L 900	840 52L 900	
BSF	Pole mount base on stainless steel tube with zinc die-cast foot, powder coated			840 13L 900	840 53L 900	
BWF	Pole mount base on aluminium tube for quick mounting with screw			840 15L 900	840 55L 900	
BSS	Set for vertical mounting (additional to BWF)			200 400 900	200 800 900	
BFF	Pole mount base on aluminium tube with foot adapter for quick mounting*			840 16L 900	840 56L 900	

Colour code for lens

C

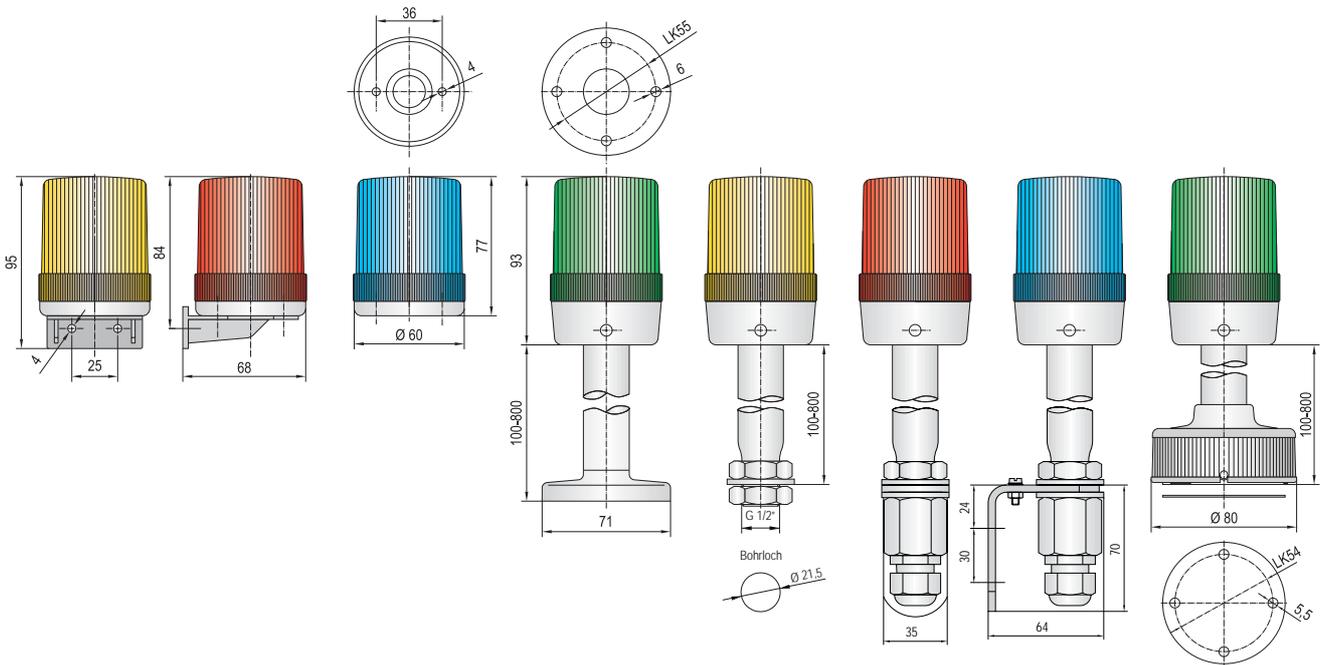
1	amber	5	blue
2	red	6	green
4	clear	7	yellow

Length code for tubes

L

1	50 mm (not for BFW, BFF)	5	500 mm
2	100 mm	6	600 mm
3	250 mm	7	800 mm
4	400 mm		

*For more details on Quick mounting system "Foot adapter" pls. refer to page 51.



WLK: BVW
FLK: BVF

BHW
BHF

BRW / BSW
BRF / BSF

BWW
BWF

+ BSS

BFW
BFF

ACCESSORIES: POLE CONNECTION BOXES

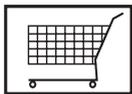
for additional installation possibilities with pole mount base BRW and BRF:

- ▶ surface installation in protection class IP 65 – horizontal or vertical
- ▶ mounting on magnetic base, for mobile mountings in protection class IP 65 on metal surfaces

BDW

BDM

BDV



Order data

Type		Order No.		Weight (g)
		Housing grey	Housing black	
BDW	Pole connection box for horizontal mounting	841 10T 900	841 50T 900	90
BDV	Pole connection box for vertical mounting	841 11T 900	841 51T 900	110
BDM	Pole connection box for magnetic mounting	841 12T 900	841 52T 900	330

Code for thread

T

1 M 20

3 PG 16

2 NPT 1/2"