

Small compact Thermostat STO 011 / STS 011 Series

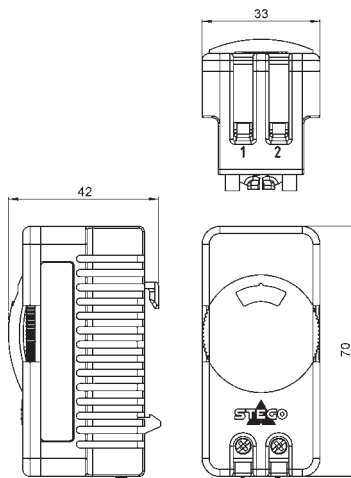


- **Thumbwheel setting dial**
- **Small hysteresis**
- **High switching capacity**
- **Anti frost assurance**
- **Optimized housing for better air flow**

The mechanical thermostat is a two state regulator with small hysteresis. The setting wheel has an anti frost assurance. The housing ensures an optimized air circulation around the bimetal.

STO 011: Thermostat (NC); contact breaker for regulating heaters.

STS 011: Thermostat (NO); contact maker for regulating of filter fans and heat exchangers or for switching signal devised when temperature limit has been exceeded.



Technical Data

Switch temperature difference	4K ($\pm 3K$ tolerance)
Sensor element	thermostatic bimetal
Contact type	snap-action contact
Service life	> 100,000 cycles
Max. switching capacity	250VAC, 10 (2) A 120VAC, 15 (2) A 30WDC at 24VDC to 72VDC
Max. inrush current	16AAC for 10 sec.
Connection	2-pole terminal for 2.5mm ² (AWG13), torque 1Nm max.
Mounting	clip for 35mm DIN rail, EN 60715
Casing	plastic according to UL94 V-0, light grey
Dimensions	70 x 33 x 42mm
Weight	approx. 50g
Fitting position	variable
Operating / Storage temperature	-45 to +80°C (-49 to +176°F)
Operating / Storage humidity	max. 90% RH (non-condensing)
Protection type	IP20

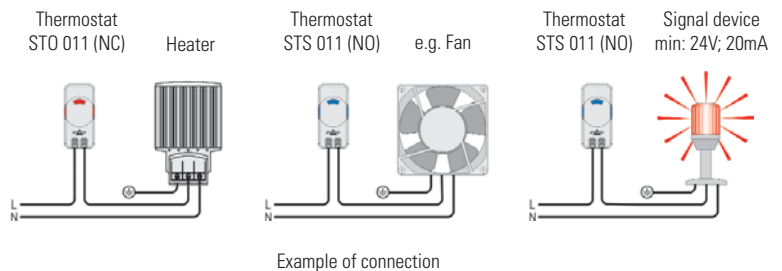
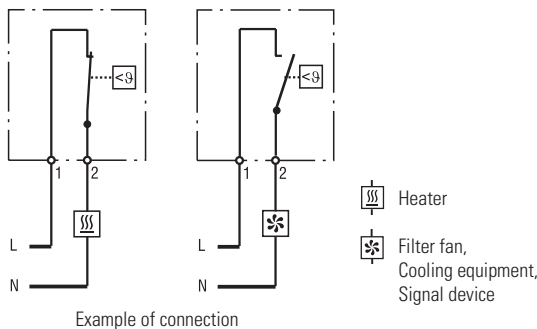
Anti frost assurance



The anti frost assurance is a symbol on the setting scale of the NC thermostat (STO 011) at 11°C. This setting assures closing of the switching contact before 0°C.

Thermostat STO 011 (NC)

Thermostat STS 011 (NO)



Setting range	Art. No. Contact breaker (NC)	Art. No. Contact maker (NO)	Approvals
0 to +60°C	01115.0-00	01116.0-00	VDE + UL submitted
+32 to 140°F	01115.9-00	01116.9-00	VDE + UL submitted

Specifications are subject to change without notice. Errors and omissions excepted. Suitability of this product for its intended use and any associated risks must be determined by the end customer/ buyer in its final application. 02.05.2011

Regulating