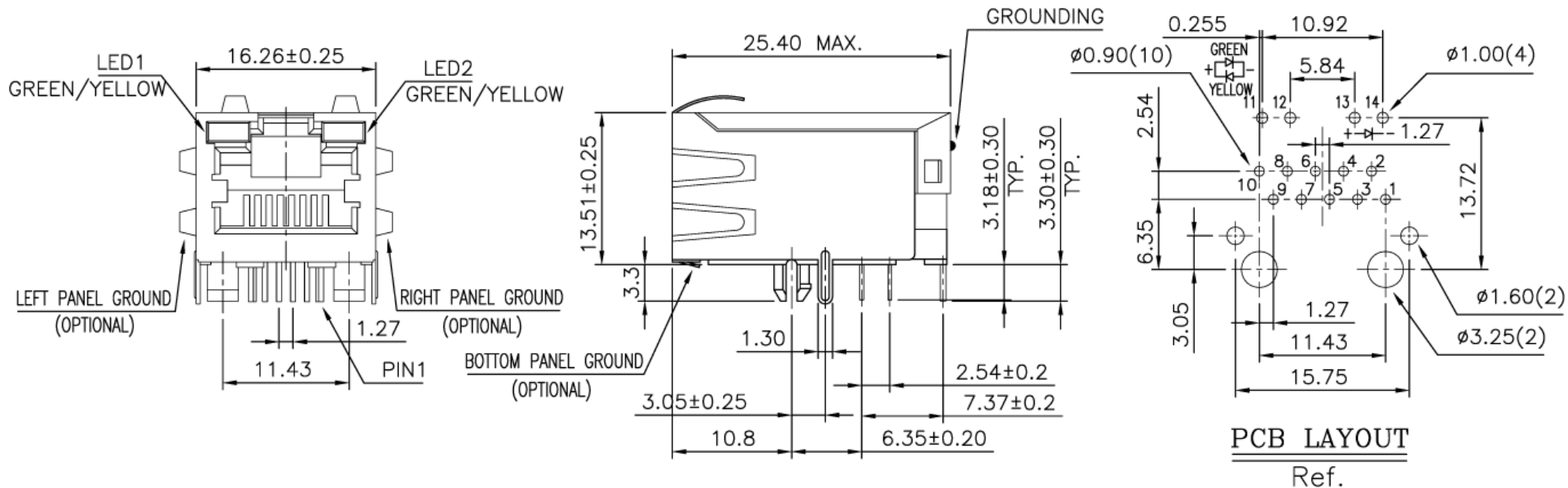


MATERIAL:

- HOUSING—PBT POLYESTER UL94V-0
MIXED GLASS FIBER.
STANDARD COLOR—BLACK.
- CONTACTS—0.35mm THICK PHOS-BRONZE PLATED
WITH HARD GOLD AND GOLD FLASH IN
SOLDER AREA.
- SHIELD—0.20mm THICK COPPER ALLOY,
PLATED WITH NICKEL.

CAVITY CONFIRMS TO FCC RULES AND REGULATIONS
PART 68,SUBPART F.



TOLERANCE (mm)	APPROVALS	DATE	TITLE	AMPHENOL Amphenol European Design Center
X. ±0.3	DRAWN Stephane	19/Dec/2005	10/100/1000Base RJ45 Integrated R/A Dip	
XX ±0.2	CHECKED Rob	19/Dec/2005		
X.XX ±0.15	APPROVED Rob	19/Dec/2005		
UNLESS OTHERWISE SPECIFIED	UNIT: mm		SIZE: A4 DRAWING N°: LMJ208 8101X 140D LET3	REV. A

TRANSFORMER TYPE

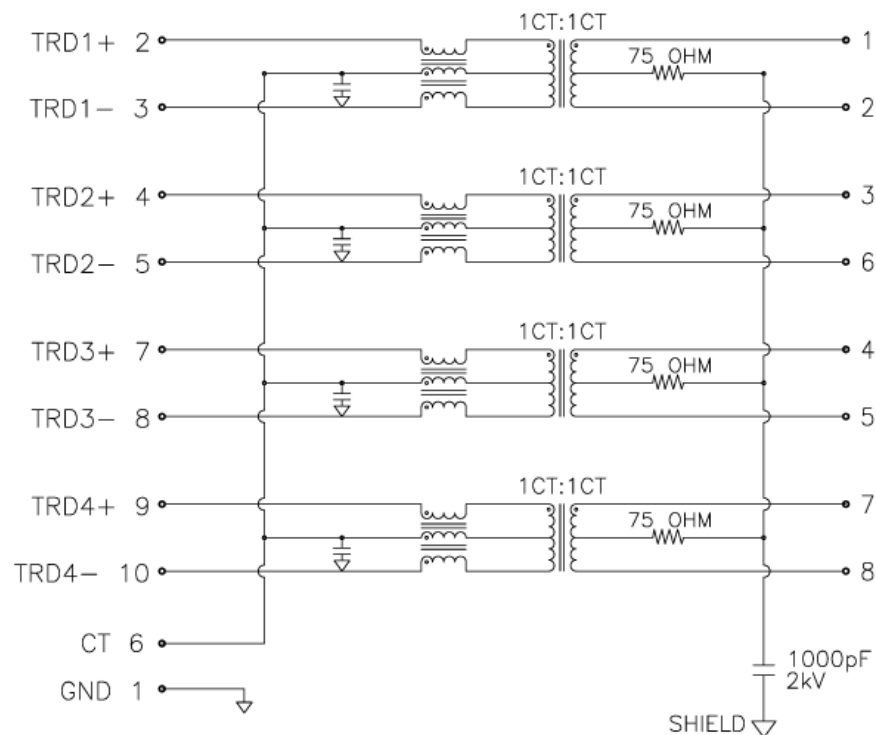
ELECTRICAL CHARACTERISTICS

TEST NOTES: (25°±5°C)

1. TR: (100KHz, 0.1V);
PINS:(2,3):(J1,J2)=1CT:1CT±3%;(4,5):(J3,J6)=1:1±3%
PINS:(6,7):(J4,J5)=1CT:1CT±3%;(8,9):(J7,J8)=1:1±3%
2. LX: (100KHz, 100mV, 8mA, DC Bias)
PINS: (J1,J2),(J3,J6),(J4,J5),(J7,J8)=350uH MINIMUM
3. DCR:
PINS: (2,3),(4,5),(6,7),(8,9)=1.5 OHMS MAXIMUM.
PINS: (J1,J2),(J3,J6),(J4,J5),(J7,J8)=1.5 OHMS MAXIMUM.
4. HIPOT:
PINS(2,3)TO(J1,J2):(4,5)TO(J3,J6)=1500VAC FOR 60 SECONDS
PINS(6,7)TO(J4,J5):(8,9)TO(J7,J8)=1500VAC FOR 60 SECONDS
5. INSERTION LOSS:
-0.5dB MAXIMUM AT 1MHz TO 65MHz
-0.8dB MAXIMUM AT 65MHz TO 100MHz
-1.2dB MAXIMUM AT 100MHz TO 125MHz
6. RETURN LOSS:
-16dB MINIMUM AT 1MHz TO 30MHz
-13.5dB MINIMUM AT 30MHz TO 40MHz
-11.5dB MINIMUM AT 40MHz TO 50MHz
-10dB MINIMUM AT 50MHz TO 80MHz
7. CMDR
-35dB MINIMUM AT 1MHz TO 100MHz
8. COMMON TO DIFFERENTIAL MODE REJECTION
-30dB MINIMUM AT 1MHz TO 100MHz

CONNECTOR SOLDER SIDE

RJ45
CONTACT SIDE



CONNECTOR SCHEMATIC



TOLERANCE (mm)	APPROVALS	DATE	TITLE	AMPHENOL
X. ±0.3	DRAWN Stephane	19/Dec/2005	10/100/1000Base RJ45 Integrated R/A Dip	Amphenol European Design Center
XX ±0.2	CHECKED Rob	19/Dec/2005		
X.XX ±0.15	APPROVED Rob	19/Dec/2005		Scale N.A. Sheet 2 of 2
UNLESS OTHERWISE SPECIFIED	UNIT: mm		SIZE: A4 DRAWING N°	REV. A
			LMJ208 8101X 140D LET3	