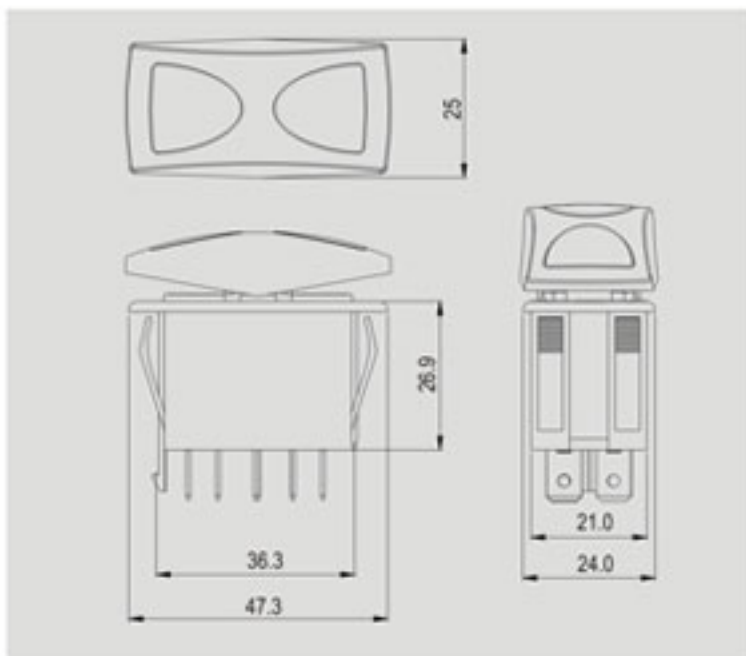


R13-292

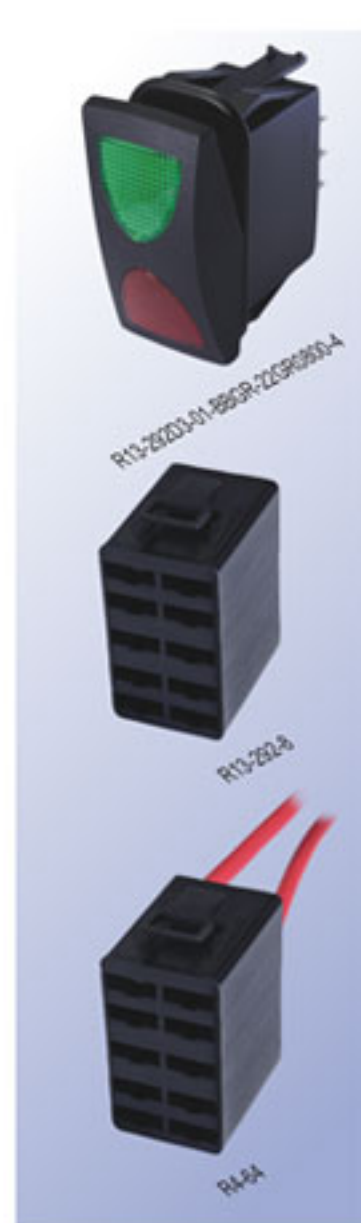
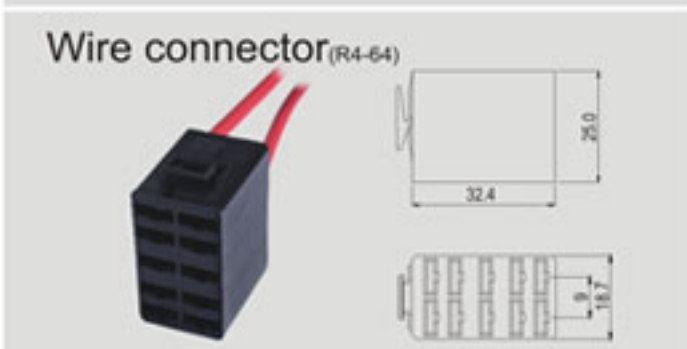
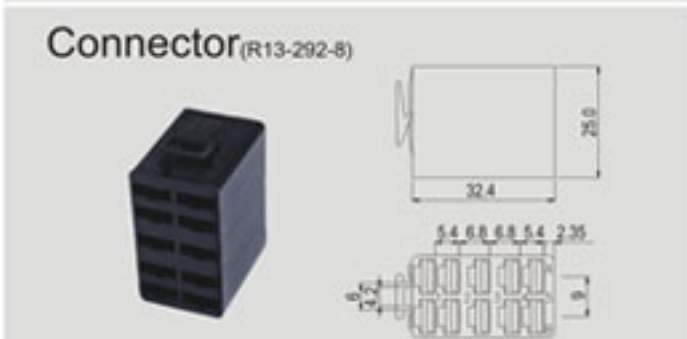


Rating	
20A 125V AC	
10A 250V AC	
3/4 HP 125-250V AC	
Contact resistance	
50mΩ Max	
Insulation resistance	
DC 500V 100MΩ Min	
Dielectric strength	
AC 1500V 1 minute	
Cut-out	

	X	Y
0.75-1.25		36.6±0.1
1.25-2	21.2±0.1	36.8±0.1
2-3		37.0±0.1

FEATURES

- * MATERIAL: Frames are nylon (UL flame: 94V-2). Terminals are silver plated brass.
- * Lens are molded in PC, available with red, amber, and green colors.
- * Snap-in mounting, easy to install switch into panel.
- * Connectors and actuator removal tools are optional.
- * Removable rocker easy to stock and customize.



R13-292

FUNCTION	ROCKER	LED
A 2P SPST ON OFF	1 [Diagram]	N NONE
B 6P DPDT ON ON	2 [Diagram]	1 1PC
C 3P SPDT ON ON	3 [Diagram]	2 2PCS
D 3P SPDT ON OFF ON	TERMINAL 0 1 [Symbol] .250" SQ	LED COLOR A1
E 6P DPDT ON OFF ON	FRAME COLOR	LED COLOR A5
F 4P DPST ON OFF	ROCKER COLOR	LIGHT CIRCUIT
G 3P SPDT ON OFF ON	LENS COLOR A1	0 0 [Diagram]
H 3P SPDT ON OFF ON	LENS COLOR A5	0 1 [Diagram]
I 3P SPDT ON (ON)	COLOR	0 2 [Diagram]
J 3P SPDT ON (ON)	A AMBER	0 3 [Diagram]
K 6P DPDT ON OFF ON	B BLACK	0 4 [Diagram]
L 6P DPDT ON OFF ON	G GREEN	0 5 [Diagram]
M 6P DPDT ON OFF ON	L BLUE	0 6 [Diagram]
N 2P SPST ON OFF	R RED	0 7 [Diagram]
O 2P SPST ON OFF	W WHITE	0 8 [Diagram]
P 6P DPDT ON ON	N NONE	0 9 [Diagram]
Q 4P DPST ON OFF	LEGEND	ACTUATOR MARKING
R 2P SPST ON OFF	N NONE	Optional legend on actuator, see page A4.
S 4P DPST ON OFF	2 [Diagram]	VOLTAGE
	R13-292 20A 125VAC 10A 250VAC 10A 125VAC 3/4HP 10A 277VAC 3/4HP 21A 14VDC SCI Logo	4 125VAC(110VAC)
		5 250VAC(220VAC)

* () =momentary