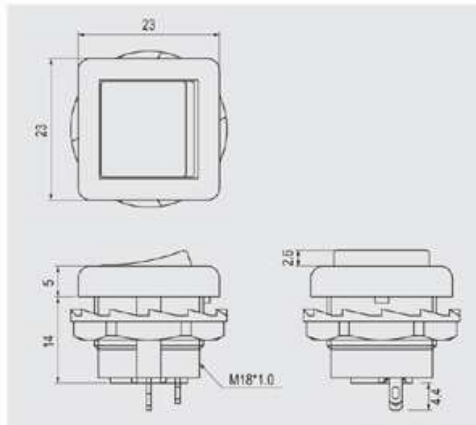


R13-136



Rating

10A 125V AC
6A 250V AC

Contact resistance

50mΩ Max

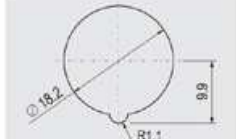
Insulation resistance

DC 500V 100MΩ Min

Dielectric strength

AC 1500V 1 minute

Cut-out



±0.25 6 mm max

FEATURES

- * MATERIAL: Actuators are nylon (UL flame: 94V-2). Terminals are silver plated brass.
- * Phenolic base.

R13-136

