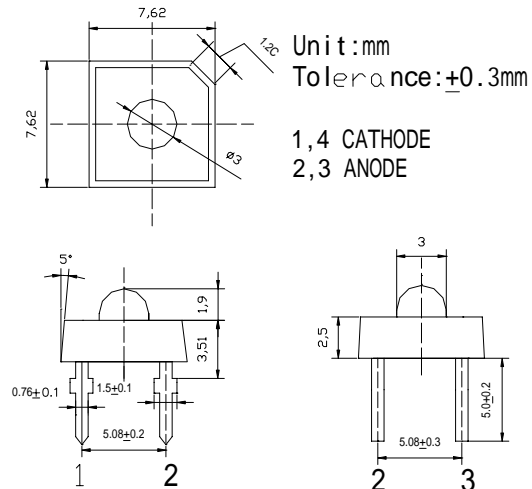


■Features

- Super Flux Output
- Water Clear Type
- Low Thermal resistance
- RoHS Compliant

■Applications

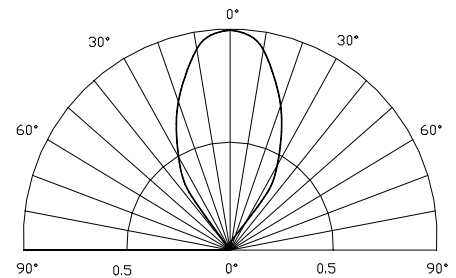
- Automotive Dashboard Lighting
- Traffic Signal Lamp
- Other Exterior Lighting

■Outline Dimension

■Absolute Maximum Rating

(Ta=25)

Item	Symbol	Value	Unit
DC Forward Current	I _F	30	mA
Pulse Forward Current*	I _{FP}	100	mA
Reverse Voltage	V _R	5	V
Power Dissipation	P _D	120	mW
Operating Temperature	T _{opr}	-30 ~ +85	
Storage Temperature	T _{stg}	-40 ~ +100	
Lead Soldering Temperature	T _{sol}	260 /5sec	-

*Pulse width Max.10ms Duty ratio max 1/10

■Directivity

■Electrical -Optical Characteristics

(Ta=25)

Item	Symbol	Condition	Min.	Typ.	Max.	Unit
DC Forward Voltage	V _F	I _F =20mA	2.9	3.2	3.5	V
DC Reverse Current	I _R	V _R =5V	-	-	10	μA
Luminous Intensity	I _v	I _F =20mA	3000	4000	-	mcd
Chromaticity Coordinate*	x	I _F =20mA	0.37	0.40	0.45	
	y	I _F =20mA	0.38	0.41	0.46	
50% Power Angle	2θ _{1/2}	I _F =20mA	-	60	-	deg

*Please refer to CIE 1931 chromaticity diagram.