

■Features

- 5mm Standard Directivity
- Water Clear Type
- UV Resistant Epoxy
- Superior Weather-resistance
- RoHS compliant

■Applications

- Toys & Games
- Decoration
- General Use

■Absolute Maximum Rating (Ta=25 °C)

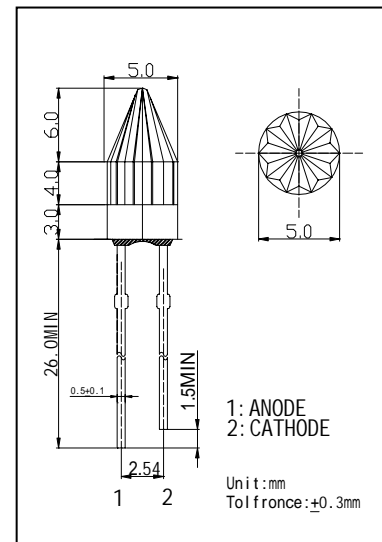
| Item | Symbol | Value | Unit |
|----------------------------|-----------|-----------|------|
| DC Forward Current | I_F | 30 | mA |
| Pulse Forward Current* | I_{FP} | 100 | mA |
| Reverse Voltage | V_R | 5 | V |
| Power Dissipation | P_D | 120 | mW |
| Operating Temperature | T_{opr} | -30~+80 | |
| Storage Temperature | T_{stg} | -30~+100 | |
| Lead Soldering Temperature | T_{sol} | 260 /3sec | - |

*Pulse width Max.10ms Duty ratio max 1/10

■Electrical -Optical Characteristics (Ta=25 °C)

| Item | Symbol | Condition | Min. | Typ. | Max. | Unit |
|--------------------|-----------------|------------|------|------|------|---------|
| DC Forward Voltage | V_F | $I_F=20mA$ | 1.8 | 2.0 | 2.4 | V |
| DC Reverse Current | I_R | $V_R=5V$ | - | - | 10 | μA |
| Domi. Wavelength | λ_D | $I_F=20mA$ | 465 | 470 | 475 | nm |
| Luminous Intensity | I_V | $I_F=20mA$ | 1120 | 1560 | 2180 | mcd |
| 50% Power Angle | $2\theta_{1/2}$ | $I_F=20mA$ | - | 130 | - | deg |

*Please refer to CIE 1931 chromaticity diagram.

■Outline Dimension

■Directivity
