

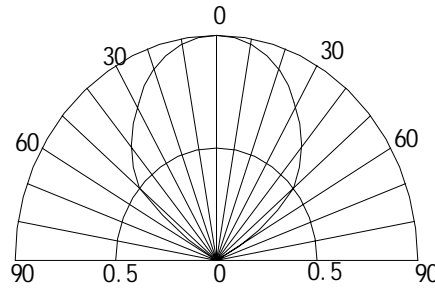
### ■Features

- High Power LEDs
- 5mm Standard Directivity
- Superior Weather-resistance
- UV Resistant Epoxy
- Water Clear Type

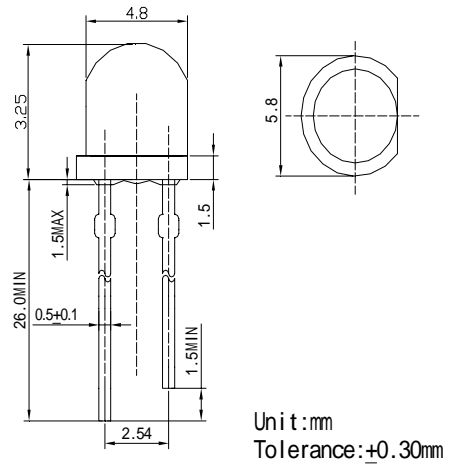
### ■Applications

- General Purpose Indicators
- Small Area Illuminations
- Back Lighting

### ■Directivity



### ■Outline Dimension

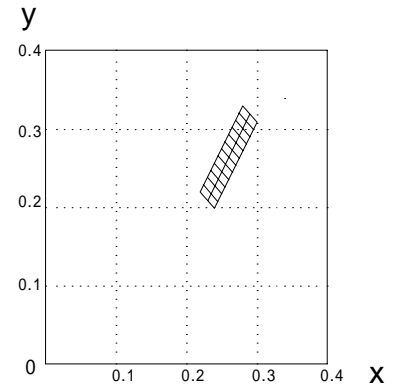


### ■Absolute Maximum Rating (Ta=25 °C)

Item	Symbol	Value	Unit
DC Forward Current	$I_F$	30	mA
Pulse Forward Current*	$I_{FP}$	100	mA
Reverse Voltage	$V_R$	5	V
Power Dissipation	$P_D$	120	mW
Operating Temperature	$T_{opr}$	-30~+80	
Storage Temperature	$T_{stg}$	-30~+100	
Lead Soldering Temperature	$T_{sol}$	260 /3sec	-

\*Pulse width Max.10ms Duty ratio max 1/10

### 色度等級分類/Chromaticity Ranks



### ■Electrical -Optical Characteristics (Ta=25 °C)

Item	Symbol	Condition	Min.	Typ.	Max.	Unit
DC Forward Voltage	$V_F$	$I_F=20mA$	2.8	3.4	4.0	V
DC Reverse Current	$I_R$	$V_R=5V$	-	-	10	uA
Luminous Intensity	$I_V$	$I_F=20mA$	500	750	1120	mcd
Chromaticity Coordinate*	Item		Bottom	Left	Top	Right
	x	$I_F=20mA$	0.24	0.22	0.28	0.30
	y	$I_F=20mA$	0.20	0.22	0.33	0.31
50% Power Angle	$2\theta_{1/2}$	$I_F=20mA$	-		-	deg

\*Please refer to CIE 1931 chromaticity diagram.

Rank	Chromaticity		Rank	Chromaticity	
	x	y		x	y
A1	0.24	0.20	A2	0.23	0.21
	0.23	0.21		0.22	0.22
	0.25	0.275		0.24	0.26
	0.26	0.283		0.25	0.28
B1	0.26	0.283	B2	0.25	0.28
	0.25	0.275		0.24	0.26
	0.27	0.31		0.26	0.29
	0.28	0.326		0.27	0.31
C1	0.28	0.326	C2	0.27	0.31
	0.27	0.31		0.26	0.29
	0.29	0.32		0.28	0.33
	0.30	0.31		0.29	0.32