



DWG. NO. SD-54819-008

F

D

V

C

B

DO NOT SCALE DRAWING

8 7 6 5 4 3 2 1

F

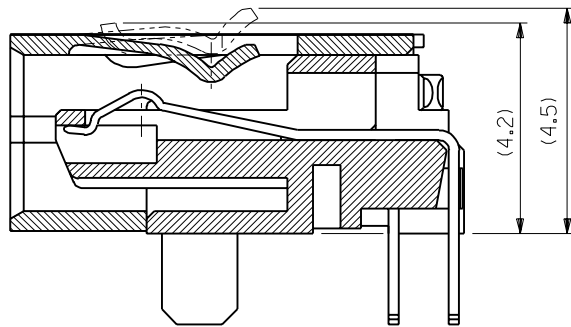
E

D

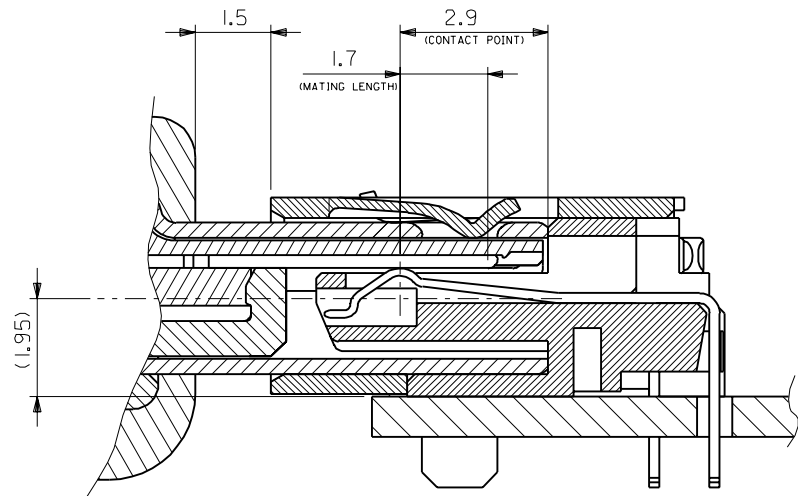
C

B

A



SECTION



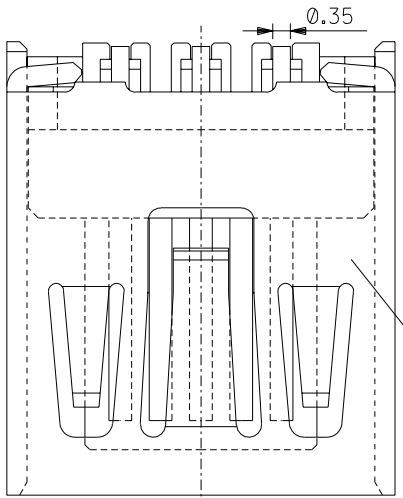
MATING

1634 NO. DRWN: CH'K: APPR:	1633 NO. DRWN: CH'K: APPR:	1632 NO. DRWN: CH'K: APPR:	1631 NO. DRWN: CH'K: APPR:	1630 NO. DRWN: CH'K: APPR:	REV DESCRIPTION	MATERIAL 材料	GENERAL TOLERANCES: (UNLESS SPECIFIED) 一般公差	SCALE 10 - 1	DESIGN UNITS mm INCH	<input type="checkbox"/> 20° 30° 45° 60° 90° 120° 150° 180° 270° 360°	DIMENSIONS: <input type="checkbox"/> mm <input type="checkbox"/> INCH <input checked="" type="checkbox"/> mm ONLY	SHT	REV		
						SEE NOTES	10 UNDER 未満	10 OVER 30 UNDER 以上 未満	30 OVER 以上	ANGLE 角度	DRAWN BY & DATE R. Takahashi 00/5/17 CHECKED BY & DATE H. Sano 00/5/17 APPROVED BY & DATE H. Sano 00/5/17 CAD FILENAME SD-54819-008.S02	TITLE: USB SERIES MINI-B RECEPTACLE ASS'Y	MOLEX INCORPORATED	MATERIAL NO. 54819-0511	DRAWING NO. SD-54819-008
		B	A	Ø	WIRE RANGE 適用電線範囲 #	INS. RANGE 被覆外径 #									

8 7 6 5 4 3 2 1 EN-02J(097) MXJ-54

DWG. NO. SD-54819-026

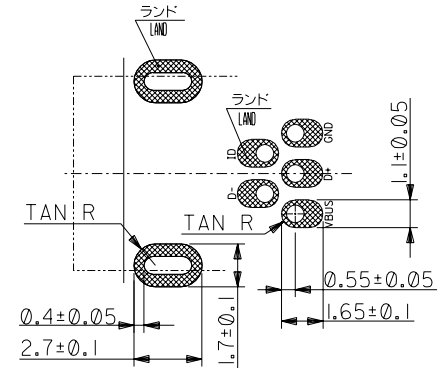
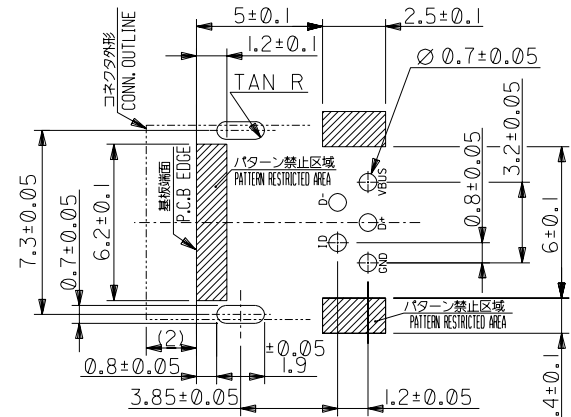
8 7 6 5 4 3 2 1



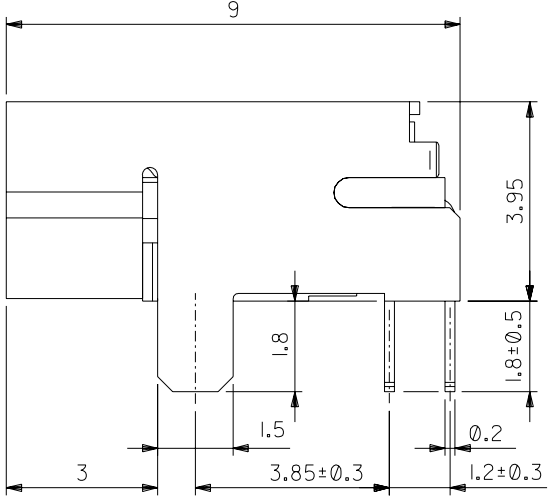
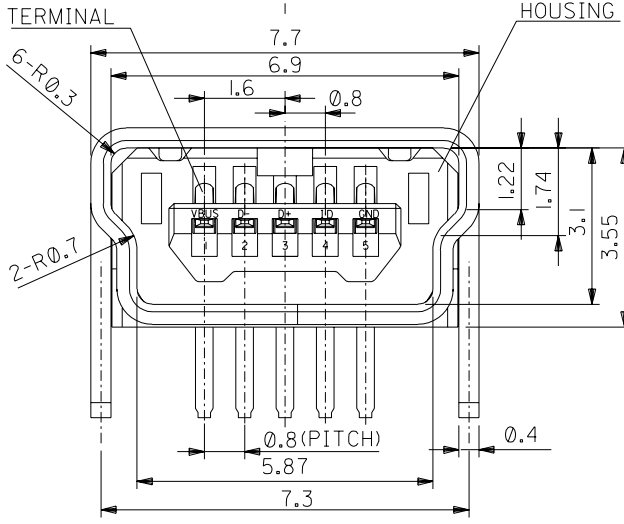
SHIELD CASE

コネクタ実装側 (CONNECTOR MOUNT SIDE)

逆側 (REVERSE SIDE)



推奨基板寸法  
RECOMMENDED P.C.B. PATTERN LAYOUT



注記 1. 材質  
NOTES MATERIAL

ハウジング: ポリフタルアミド ガラス充填, 黒色, UL94V-0  
HOUSING: POLYPHTHAL AMIDE GLASS FILLED, BLACK, UL94V-0  
ターミナル: 銅合金 (t=0.2)  
TERMINAL: COPPER ALLOY (t=0.2)  
シールド ケース: 銅合金 (t=0.4)  
SHIELD CASE: COPPER ALLOY (t=0.4)

2. メッキ仕様  
PLATING

ターミナル  
TERMINAL  
接点部: 金メッキ 0.76μm MIN.  
CONTACT AREA: GOLD 0.76MICRO METER MIN.  
半田付け部: 錫メッキ 1.0μm MIN.  
SOLDER TAIL AREA: TIN 1.0MICRO METER MIN.  
下地部: ニッケルメッキ 1.0μm MIN.  
UNDER PLATING: NICKEL 1.0MICRO METER MIN.  
シールド ケース  
SHIELD CASE  
: 錫メッキ 1.0μm MIN.  
: TIN 1.0MICRO METER MIN.  
下地部: ニッケルメッキ 1.0μm MIN.  
UNDER PLATING: NICKEL 1.0MICRO METER MIN.

3. 本製品は54819-0511の鉛フリー品である。  
THIS PRODUCT IS LEAD FREE OF 54819-0511.

DO NOT SCALE DRAWING

164 NO. DRWN: CH'K: APPR:	163 NO. DRWN: CH'K: APPR:	162 NO. DRWN: CH'K: APPR:	161 NO. DRWN: CH'K: APPR:
------------------------------	------------------------------	------------------------------	------------------------------

新規作成 RELEASED  
新規格 J2004-4032  
DRWN: M.NAGATA '04/04/28  
CH'K: K.TOJO '04/04/28  
APPR: M.SASAO '04/04/28

MATERIAL 材料	SEE NOTES
FINISH 仕上げ	SEE NOTES
WIRE RANGE 適用電線範囲	—
INS. RANGE 被覆外径	—

GENERAL TOLERANCES: (UNLESS SPECIFIED) 一般公差	SCALE 10 : 1
10 UNDER 未満	±0.2
10 OVER 以上 30 UNDER 未満	±0.25
30 OVER 以上	±0.3
ANGLE 角度	±3°

MODEL NO.	54819-**-19	DIMENSIONS:	<input type="checkbox"/> mm <input type="checkbox"/> INCH <input checked="" type="checkbox"/> mm ONLY	SHT	REV
DESIGN UNITS	<input checked="" type="checkbox"/> mm <input type="checkbox"/> INCH	PROJECTION	<input type="checkbox"/> 1ST ANGLE <input checked="" type="checkbox"/> THIRD ANGLE	MATERIAL NO. 54819-0519	
DRAWN BY & DATE	M.NAGATA '04/04/27	TITLE:	USB SERIES MINI-B RECEPTACLE ASS'Y -LEAD FREE-		
CHECKED BY & DATE	K.TOJO '04/04/27	MOLEX INCORPORATED			
APPROVED BY & DATE	M.SASAO '04/04/27				
CAD FILENAME	SD-54819-026.S01	MATERIAL NO.	DRAWING NO.	SHEET NO.	
		SEE CHART	SD-54819-026	1 OF 2	
THIS DRAWING CONTAINS INFORMATION THAT IS PROPRIETARY TO MOLEX INCORPORATED AND SHOULD NOT BE USED WITHOUT WRITTEN PERMISSION.					
EN-02J(097) MXJ-54					

8 7 6 5 4 3 2 1

DWG. NO. SD-54819-026

F

D

V

C

B

DO NOT SCALE DRAWING

8 7 6 5 4 3 2 1

F

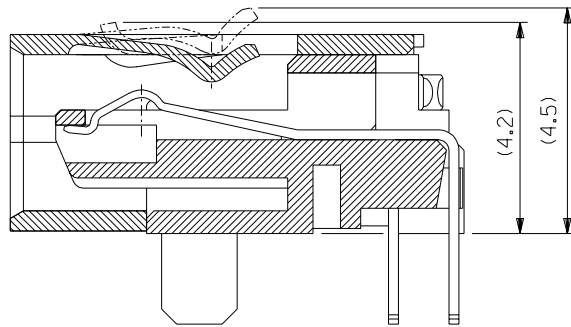
E

D

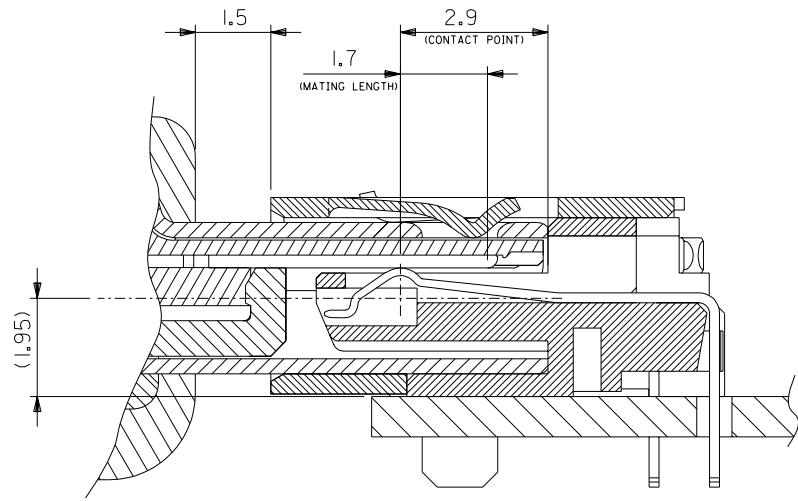
C

B

A



SECTION



MATING

66 NO. DRWN: CH'K: APPR:	63 NO. DRWN: CH'K: APPR:	62 NO. DRWN: CH'K: APPR:	61 NO. DRWN: CH'K: APPR:	60 NO. DRWN: CH'K: APPR:
SEE SHEET 1				

MATERIAL 材料	SEE NOTES
FINISH 仕上り	SEE NOTES
WIRE RANGE 適用電線範囲	#
INS. RANGE 被覆外径	#

GENERAL TOLERANCES: (UNLESS SPECIFIED) 一般公差	SCALE 10 : 1
10 UNDER 未満	±0.2
10 OVER 30 UNDER 以上 未満	±0.25
30 OVER 以上	±0.3
ANGLE 角度	±3°

MODEL NO. 54819-***19	DIMENSIONS: <input type="checkbox"/> mm <input type="checkbox"/> INCH <input checked="" type="checkbox"/> mm ONLY	SHT 2 OF 2	REV B
DESIGN UNITS <input checked="" type="checkbox"/> mm <input type="checkbox"/> INCH	APPROX ANGLE PROJECTION <input checked="" type="checkbox"/> FIRST ANGLE	TITLE: USB SERIES MINI-B RECEPTACLE ASS'Y -LEAD FREE-	
DRAWN BY & DATE M.NAGATA '04/04/28	CHECKED BY & DATE K.TOJO '04/04/28	APPROVED BY & DATE M.SASAO '04/04/28	
CAD FILENAME SD-54819-026.S02	MATERIAL NO. SEE CHART	DRAWING NO. SD-54819-026	SHEET NO. 2 OF 2
THIS DRAWING CONTAINS INFORMATION THAT IS PROPRIETARY TO MOLEX INCORPORATED AND SHOULD NOT BE USED WITHOUT WRITTEN PERMISSION.			SIZE B

8 7 6 5 4 3 2 1 EN-02J(097) MXJ-54