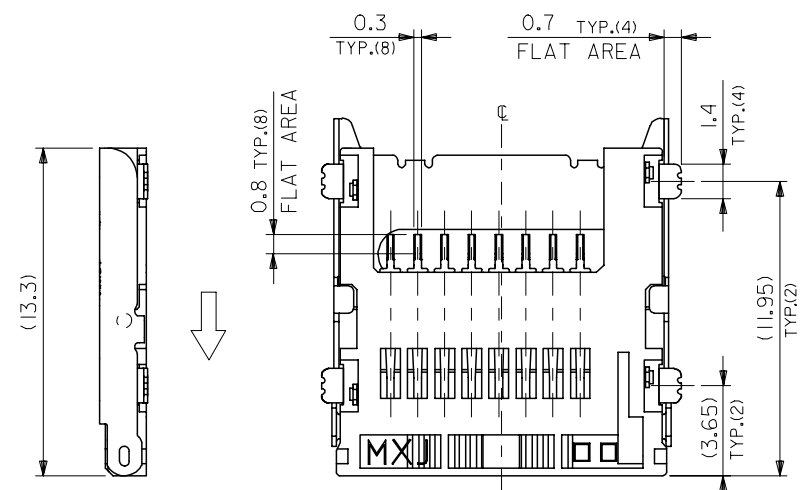
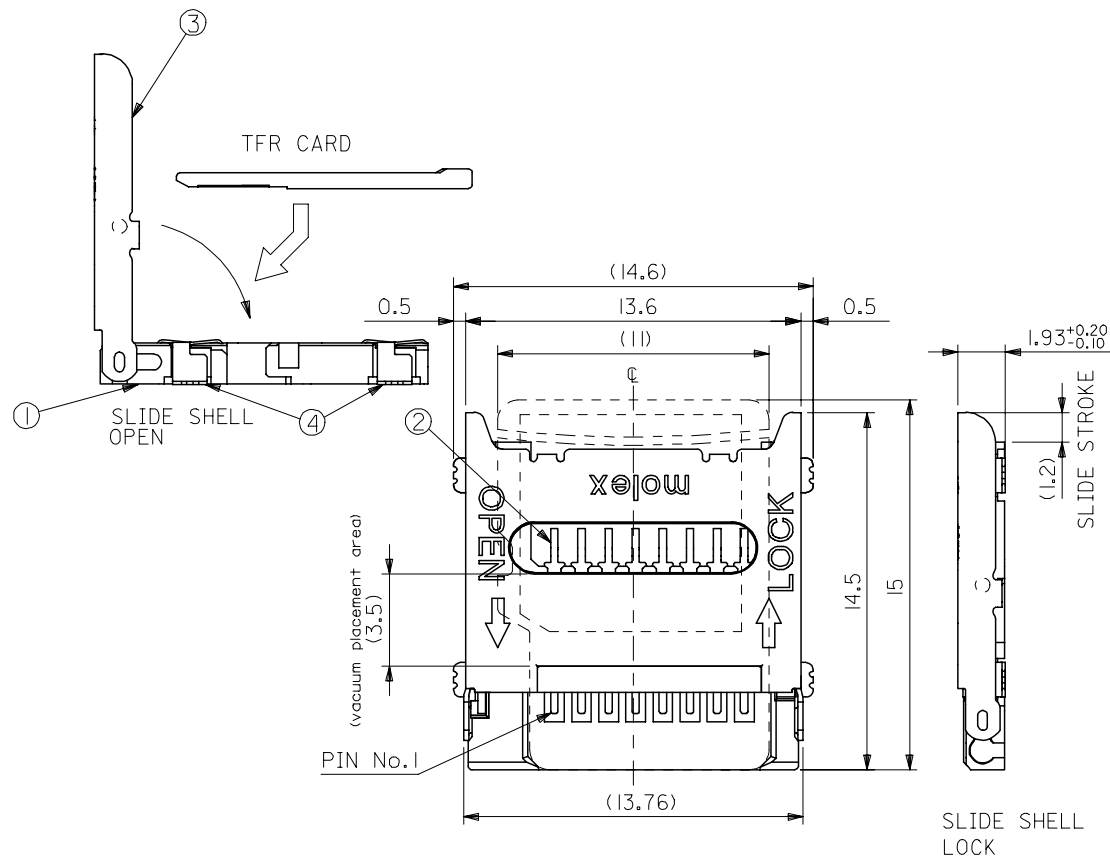


| NO. | PARTS DESCRIPTION | QTY | MATERIAL | FINISH |
|-----|-------------------|-----|--------------------------------|---|
| ① | HOUSING | 1 | LIQUID CRYSTAL POLYMER (WHITE) | — |
| ② | TERMINAL | 8 | PHOSPHOR BRONZE | CONTACT AREA:GOLD 0.5um MIN. SOLDER AREA:TIN 1.0um MIN. UNDER PLATING NICKEL 1.0um MIN. |
| ③ | SHELL | 1 | STAINLESS STEEL | — |
| ④ | NAIL | 4 | PHOSPHOR BRONZE | ALL OVER:TIN 1.0um MIN. |



NOTE

* EACH TERMINALS AND NAILS COPLANARITY TO BE 0.1 MAX.

| | | |
|--------------------|--------------|-------------|
| WITH EMBOSSED TAPE | 500901-0801 | 500901-08** |
| CONNECTOR ONLY | 500901-0829 | |
| PACKAGE | MATERIAL No. | MODEL No. |

| | | | | | | |
|---|---------------------------------------|--|-----------------|---------------|-------------------------------------|---------------------------|
| REVISED EC No: J2005-3187 DRWNG:SETO 2005/04/22 CHKD:TWATANABE 2005/04/22 APPR:JMIYAZAWA 2005/04/28 | GENERAL TOLERANCES (UNLESS SPECIFIED) | | DIMENSION STYLE | SCALE | DESIGN UNITS | THIRD ANGLE PROJECTION |
| | | | MM ONLY | 5:1 | METRIC | |
| | 10 UNDER | ±0.2 | DRAWN BY | DATE | TITLE | |
| | 10 OVER 30 UNDER | ±0.25 | TWATANABE | 05/01/21 | TFR MEMORY CARD CONN. HINGE TYPE | |
| | 30 OVER | ±0.3 | CHECKED BY | DATE | MOLEX MOLEX INCORPORATED | |
| ANGULAR | ±3 ° | HTAKASE | 05/01/21 | APPROVED BY | | |
| DRAFT WHERE APPLICABLE MUST REMAIN WITHIN DIMENSIONS | | JMIYAZAWA | 05/01/21 | DATE | | |
| | | MATERIAL No. | SEE CHART | DOCUMENT No. | | |
| | | SIZE | A3 | SD-500901-003 | | |
| | | THIS DRAWING CONTAINS INFORMATION THAT IS PROPRIETARY TO MOLEX INCORPORATED AND SHOULD NOT BE USED WITHOUT WRITTEN PERMISSION | | | SHEET No. 1 OF 2 | |

10 9 8 7 6 5 4 3 2 1

F

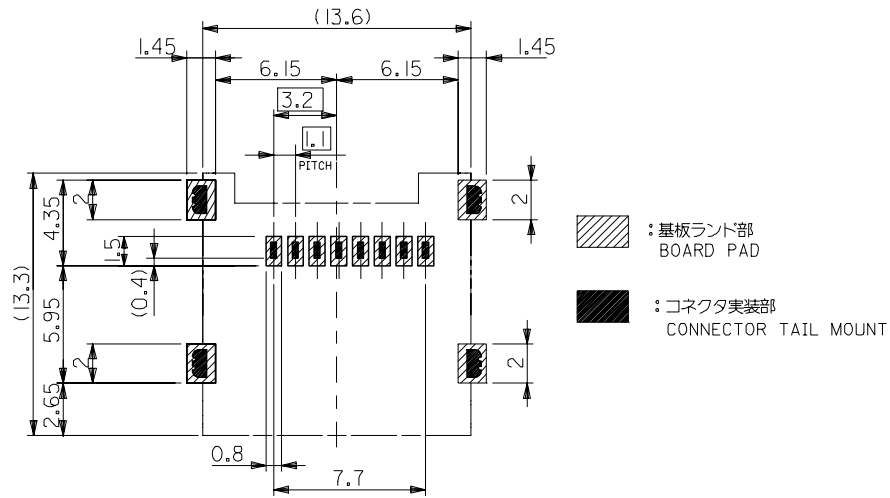
E

D

C

B

A



推奨基板寸法(上面図) 一般公差: ±0.05
 RECOMMENDED P.C. BOARD LAYOUT(TOP VIEW)
 GENERAL TOLERANCES : ±0.05

| | | | | | | | | | |
|--|---------------------------------------|--------------------------|----------------------------|------------------|--|---|------------------------|--|--|
| REVISED EC NO: J2005-3187 DRAWN: KSETO 2005/04/22 CHK'D: TWATANABE 2005/04/22 APPR: JMIYAZAWA 2005/04/28 | GENERAL TOLERANCES (UNLESS SPECIFIED) | | DIMENSION STYLE MM ONLY | | SCALE 5:1 | DESIGN UNITS METRIC | THIRD ANGLE PROJECTION | | |
| | 10 UNDER | ± --- | DRAWN BY | DATE | TITLE TFR MEMORY CARD CONN. HINGE TYPE | | | | |
| | 10 OVER 30 UNDER | ± --- | TWATANABE | 05/01/21 | | | | | |
| | 30 OVER | ± --- | CHECKED BY | DATE | MOLEX INCORPORATED | | | | |
| ANGULAR | ± --- ° | HTAKASE | 05/01/21 | | | | | | |
| DRAFT WHERE APPLICABLE MUST REMAIN WITHIN DIMENSIONS | | APPROVED BY JMIYAZAWA | | DATE 05/01/21 | DOCUMENT NO. SD-500901-003 | | SHEET NO. 2 OF 2 | | |
| SIZE A3 | | SEE CHART | | | | THIS DRAWING CONTAINS INFORMATION THAT IS PROPRIETARY TO MOLEX INCORPORATED AND SHOULD NOT BE USED WITHOUT WRITTEN PERMISSION | | | |

9

8

7

4

2

10

9

8

7

6

5

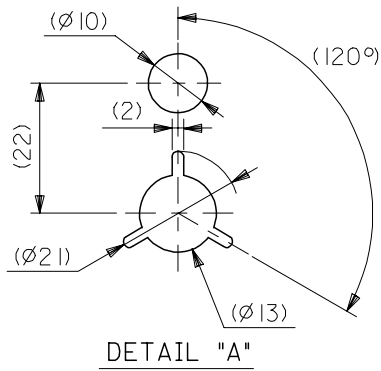
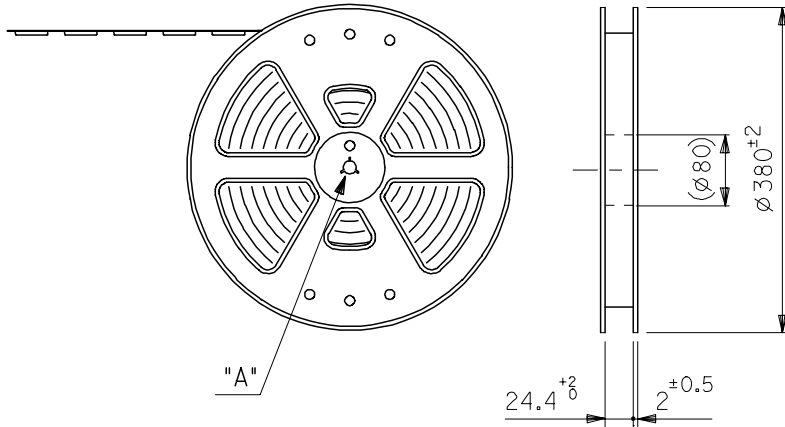
4

3

2

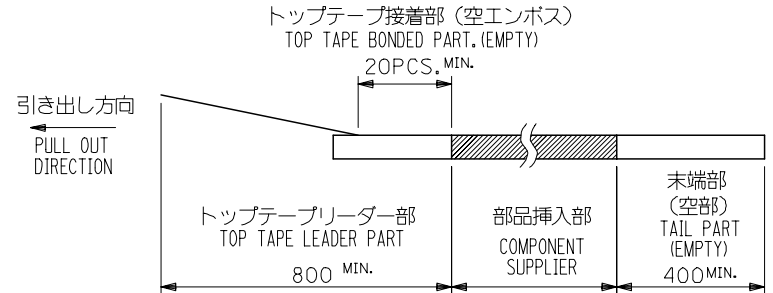
1

引き出し方向
←
PULL OUT
DIRECTION

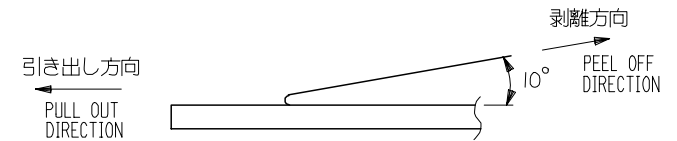


NOTES

- 製品詳細寸法については、SD図面を参照下さい。
THE DETAIL DIMENSIONS REFER TO SALES DRAWING.
- 梱包数量：1400個/リール
NUMBER OF CONNECTORS : 1400PCS/REEL
- リードテープ長さ LEAD TAPE LENGTH



- トップテープの剥離強度：0.1N～1.3N (10.2gf～130gf) (剥離方向は下図参照)
尚、本規格値は出荷時に適用。(但し、輸送時に剥離が発生しないこと。)
PEEL FORCE OF TOP TAPE : 0.1N～1.3N (10.2gf～130gf)
(PEEL DIRECTION AS SHOWN IN FOLLOWING FIG.)
THIS REQUIREMENT SHOULD BE APPLIED AT SHIPMENT.
PEEL OFF SHOULD NOT BE ALLOWED , DURING TRANSPORTATION.



- 材料 (MATERIAL)

キャリアテープ (CARRIER TAPE) : ポリプロピレン (POLYPROPYLENE)
トップテープ (TOPTAPE) : PET, PE, PEF
リール (REEL) : ポリスチレン (PS) <リサイクル材を含む>
POLYSTYRENE (PS) <RECYCLE MATERIAL CONTAINED>

| REV | DESCRIPTION | GENERAL TOLERANCES (UNLESS SPECIFIED) | | DIMENSION STYLE | SCALE | DESIGN UNITS | THIRD ANGLE PROJECTION | |
|-----|---|--|-------|-----------------------------|--|--|------------------------|--|
| | | 10 UNDER | ±0.2 | MM ONLY | --- | METRIC | ◎ □ | |
| 0 | RELEASED EC NO: J2005-2205 DRAWN: SETO 2005/02/03 CHKD: WATANABE 2005/02/03 APPR: JIMIZAWA 2005/02/08 | 10 OVER 30 UNDER | ±0.25 | DRAWN BY TWATANABE | DATE 05/01/21 | TITLE TFR MEMORY CARD CONN. EMBOSSD TAPE PACKAGE | | |
| | | 30 OVER | ±0.3 | CHECKED BY HTAKASE | DATE 05/01/21 | MOLEX MOLEX INCORPORATED | | |
| | | ANGULAR | ±3 ° | APPROVED BY JMIYAZAWA | DATE 05/01/21 | DOCUMENT NO. SD-500901-004 | SHEET NO. 1 OF 2 | |
| | | DRAFT WHERE APPLICABLE MUST REMAIN WITHIN DIMENSIONS | | MATERIAL NO. 500901-0801 | THIS DRAWING CONTAINS INFORMATION THAT IS PROPRIETARY TO MOLEX INCORPORATED AND SHOULD NOT BE USED WITHOUT WRITTEN PERMISSION | | | |

9

8

7

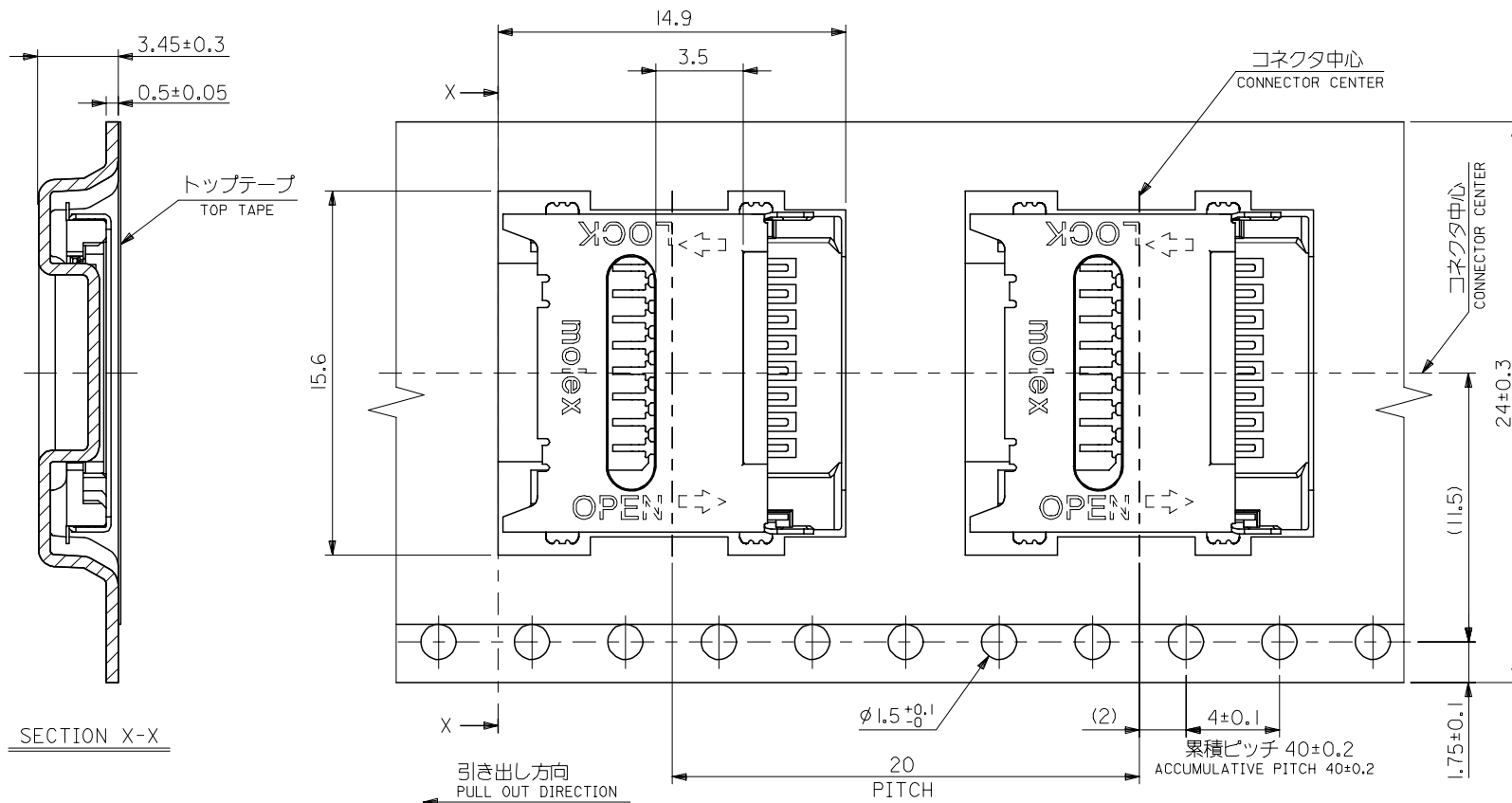
6

5

4

3

2



| | | | | | | | |
|--|---------------------------------------|------------|-----------------------------|---|--|------------------------|------------------------|
| RELEASED EC NO: J2005-2205 DRWNGKSETO 2005/02/03 CHKD: TWATANABE 2005/02/03 APPR: JMIYAZAWA 2005/02/08 | GENERAL TOLERANCES (UNLESS SPECIFIED) | | DIMENSION STYLE MM ONLY | | SCALE --- | DESIGN UNITS METRIC | THIRD ANGLE PROJECTION |
| | 10 UNDER | ± --- | DRAWN BY TWATANABE | DATE 05/01/21 | TITLE TFR MEMORY CARD CONN. EMBOSSD TAPE PACKAGE | | |
| | 10 OVER 30 UNDER | ± --- | CHECKED BY HTAKASE | DATE 05/01/21 | MOLEX MOLEX INCORPORATED | | |
| | 30 OVER | ± --- | APPROVED BY JMIYAZAWA | DATE 05/01/21 | DOCUMENT NO. SD-500901-004 | | |
| | ANGULAR ±3 ° | | MATERIAL NO. 500901-0801 | | SHEET NO. 2 OF 2 | | |
| DRAFT WHERE APPLICABLE MUST REMAIN WITHIN DIMENSIONS | | SIZE A3 | | THIS DRAWING CONTAINS INFORMATION THAT IS PROPRIETARY TO MOLEX INCORPORATED AND SHOULD NOT BE USED WITHOUT WRITTEN PERMISSION | | | |