

ON-OFF

ROCKER SWITCH MODEL MR-5 SERIES

RATING: 3A 250VAC (UL, CUL)

6A 125VAC (UL, CUL)

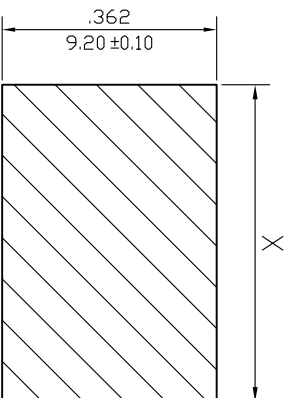
3A 250VAC~4T100 (VDE, ENEC, CQC)

DIELECTRIC VOLTAGE-WITHSTAND: 1,000VAC FOR 1 MINUTE

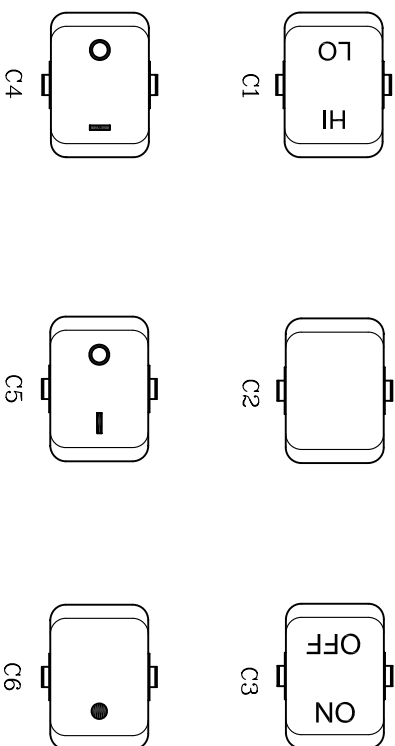
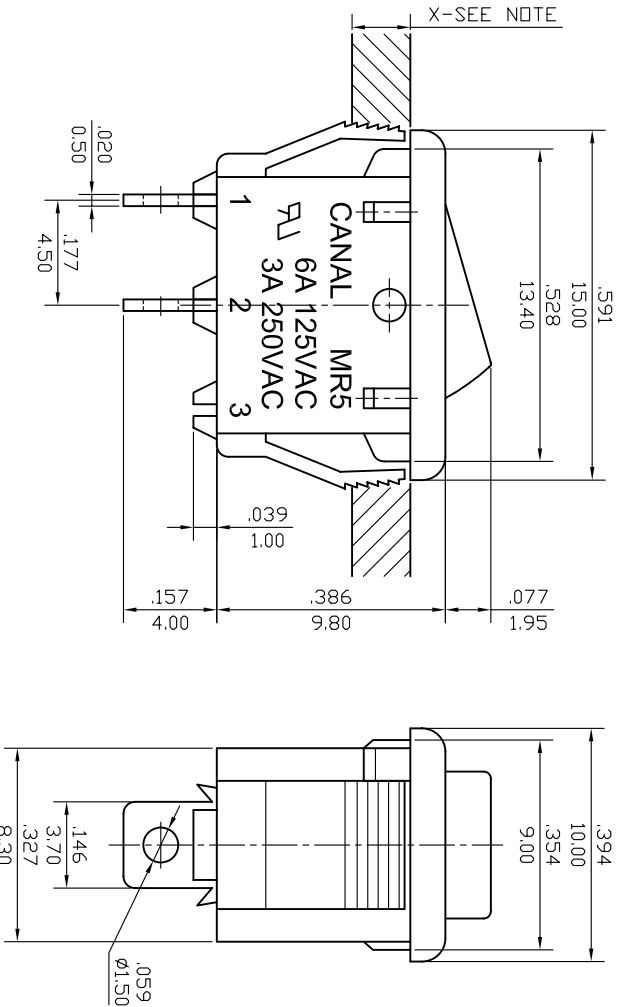
INSULATION RESISTANCE: DC 500V 100MΩ (MIN.)

CONTACT RESISTANCE: 20mΩ INITIAL (MAX.)

X	Cutout Dimension	Panel Thickness
A	.535 / 13.6 ^{+0.00} _{-0.10}	0.75~1.25
B	.539 / 13.7 ^{+0.00} _{-0.10}	1.25~2.00
C	.543 / 13.8 ^{+0.00} _{-0.10}	2.00~2.50



MOUNTING HOLE



- NOTE: 1. TOLERANCES UNLESS OTHERWISE SPECIFIED: $\pm \frac{.012}{0.3}$ (in/mm)
2. X MEANS FOR APPLICATION PANEL THICKNESS MUST BE UNDER 2.5mm
3. IT IS IN COMPLIANCE WITH CANAL ROHS SPECIFICATION: WT-QA-24

SCALE 2:3

REVISION	DESCRIPTION	REVISED BY	TOLERANCES: X \pm 0.1 .XX \pm 0.05 ANGLE $\frac{1}{2}^\circ$	SCALE	UNIT	PART NAME	DWG NO
△2005.12.03	修改“RATING”內容,重新出圖.	夏毅			3:1	MR5 SPEC DRAWING	S0463C
△2005.08.06	整理圖框,重新出圖	夏毅					
△2004.07.19	更換圖框,首次出圖	梁春林					
		DRAWN BY					
		CHECKED BY					
		DESIGNED BY					
		APPROVED BY					
				DATE		PART NO	
				2004.07.19		MR5-110-F*-*-*-*-*2	

