

microSD Card™

Manual

All Mikroelektronika's development systems feature a large number of peripheral modules expanding microcontroller's range of application and making the process of program testing easier. In addition to these modules, it is also possible to use numerous additional modules linked to the development system through the I/O port connectors. Some of these additional modules can operate as stand-alone devices without being connected to the microcontroller.

Additional Board

 **MikroElektronika**

SOFTWARE AND HARDWARE SOLUTIONS FOR EMBEDDED WORLD ...making it simple

microSD Card

The microSD Card additional board enables you to read microSD memory cards. It is connected to a development system via a 2x5 connector, and communicates to it via the Serial Peripheral Interface (SPI).

Key features:

- Reading microSD memory cards;
- SPI communication;
- Capable of connecting to various development systems;
- 3.3 or 5V power supply voltage; etc.

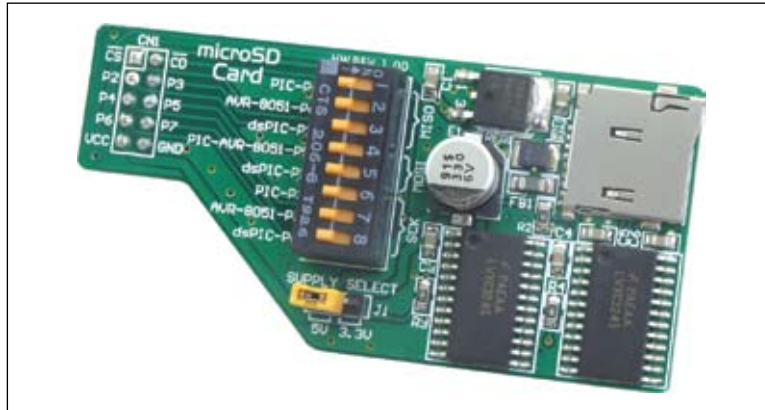


Figure 1: microSD Card additional board

How to connect the board?

The microSD Card board is connected to a development system via a 2x5 connector provided on the board and a 2x5 connector provided on the development system. The DIP switch SW1 is used to select a development system to connect the additional board to. Jumper J1 is used to select the power supply voltage of the board. In case the additional board is connected to a 5V development system, jumper J1 should be placed in the 5V position. Similarly, if the development board is connected to a 3.3V development system, jumper J1 should be placed in the 3.3V position.

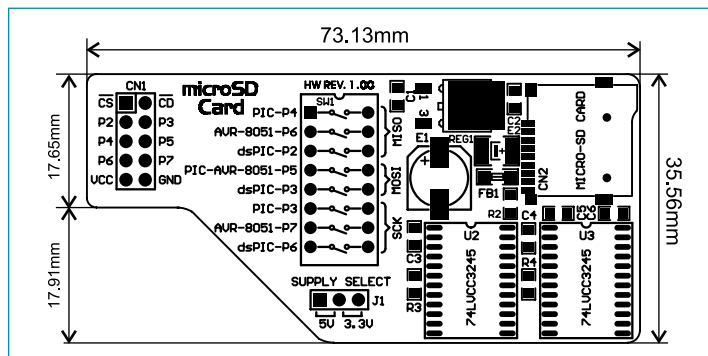


Figure 2: Dimensions of the microSD Card additional board

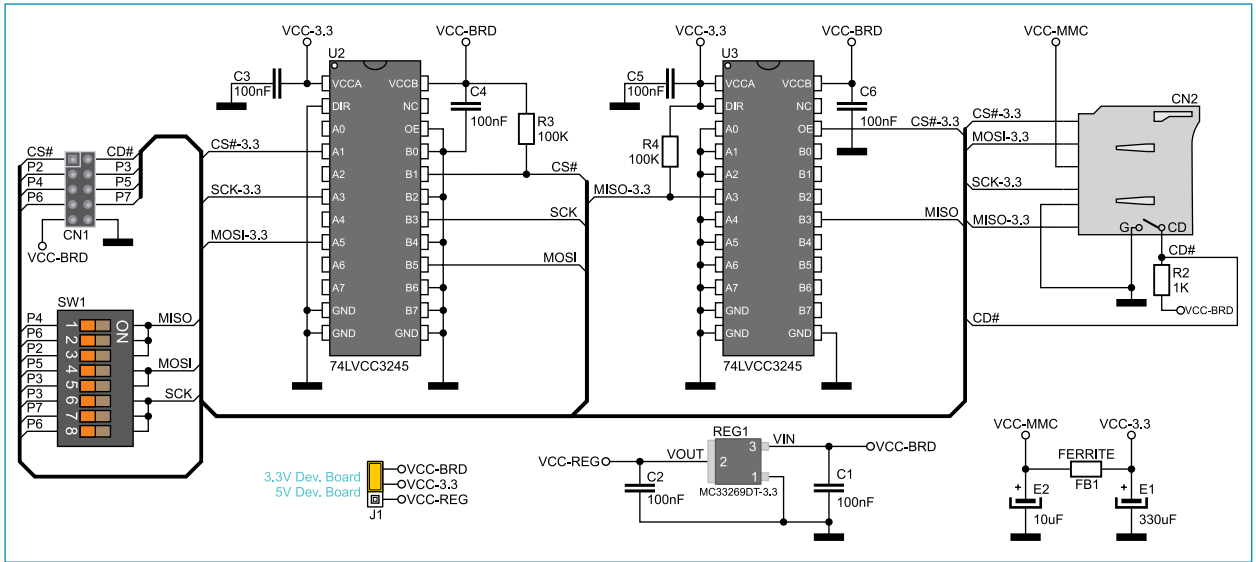


Figure 3: microSD Card additional board connection schematic

	MISO	MOSI	SCK
PIC	1 (P4)	4 (P5)	6 (P3)
dsPIC	3 (P2)	5 (P3)	8 (P6)
AVR-8051	2 (P6)	4 (P5)	7 (P7)
Position of DIP switch SW1 for appropriate development system			

Table 1

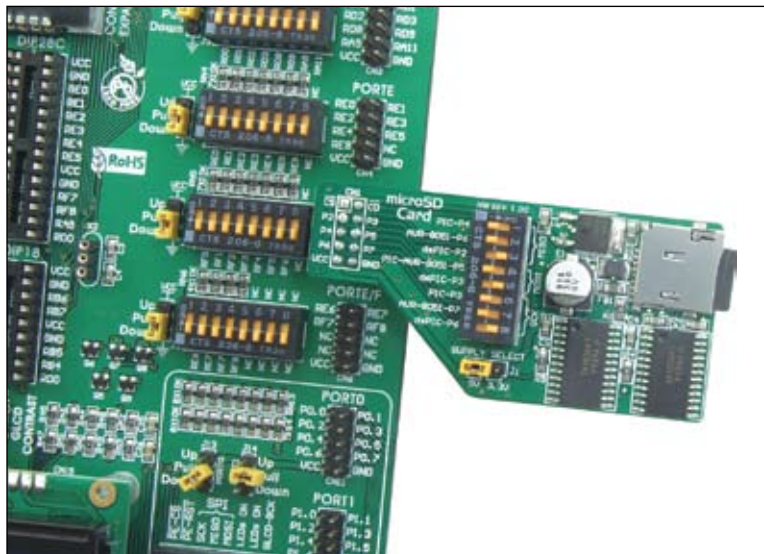


Figure 4: microSD Card connected to a development system



MikroElektronika
SOFTWARE AND HARDWARE SOLUTIONS FOR EMBEDDED WORLD ...making it simple

If you want to learn more about our products, please visit our website at www.mikroe.com

If you are experiencing some problems with any of our products or just need additional information, please place your ticket at www.mikroe.com/en/support

If you have any questions, comments or business proposals, do not hesitate to contact us at office@mikroe.com