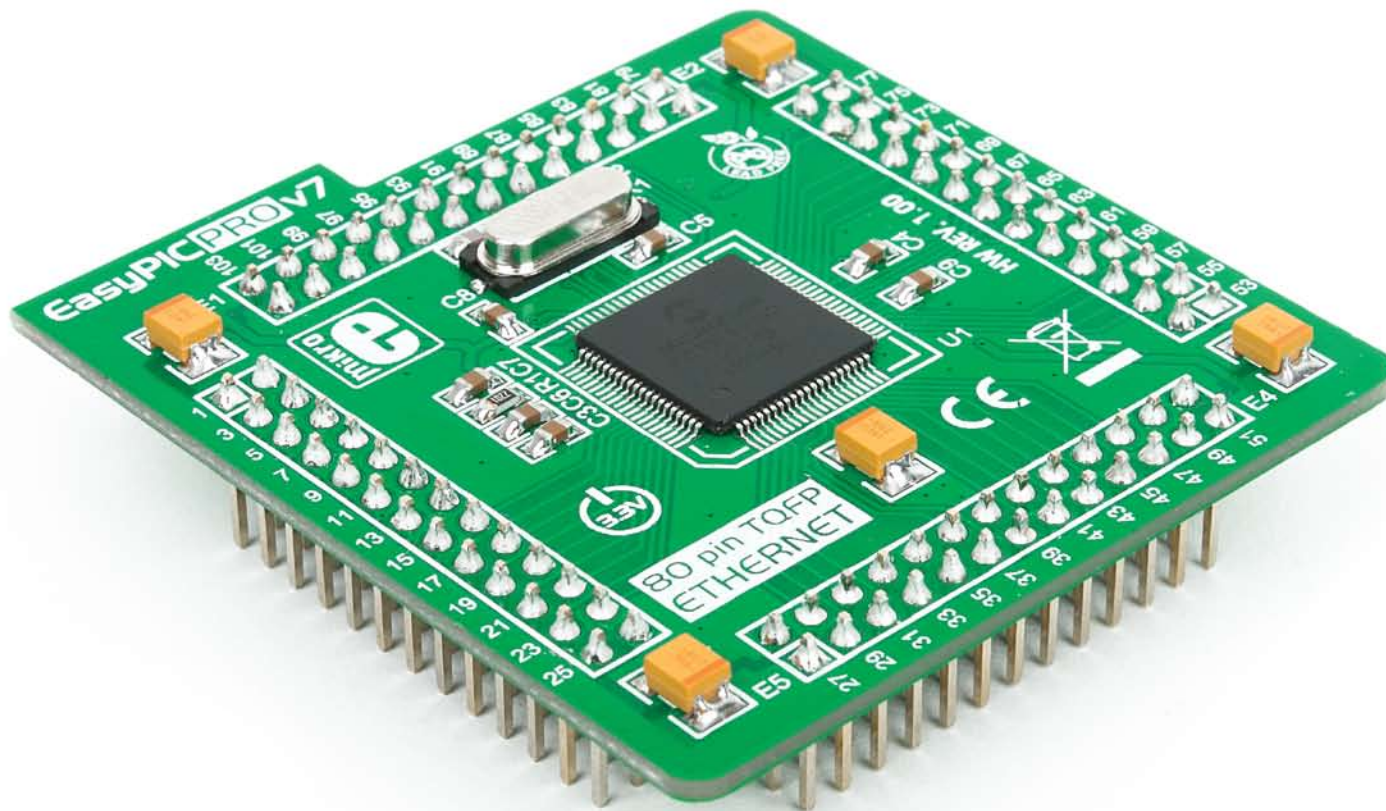


Ethernet 80-pin TQFP card with PIC18F87J60 MCU



What's on Card

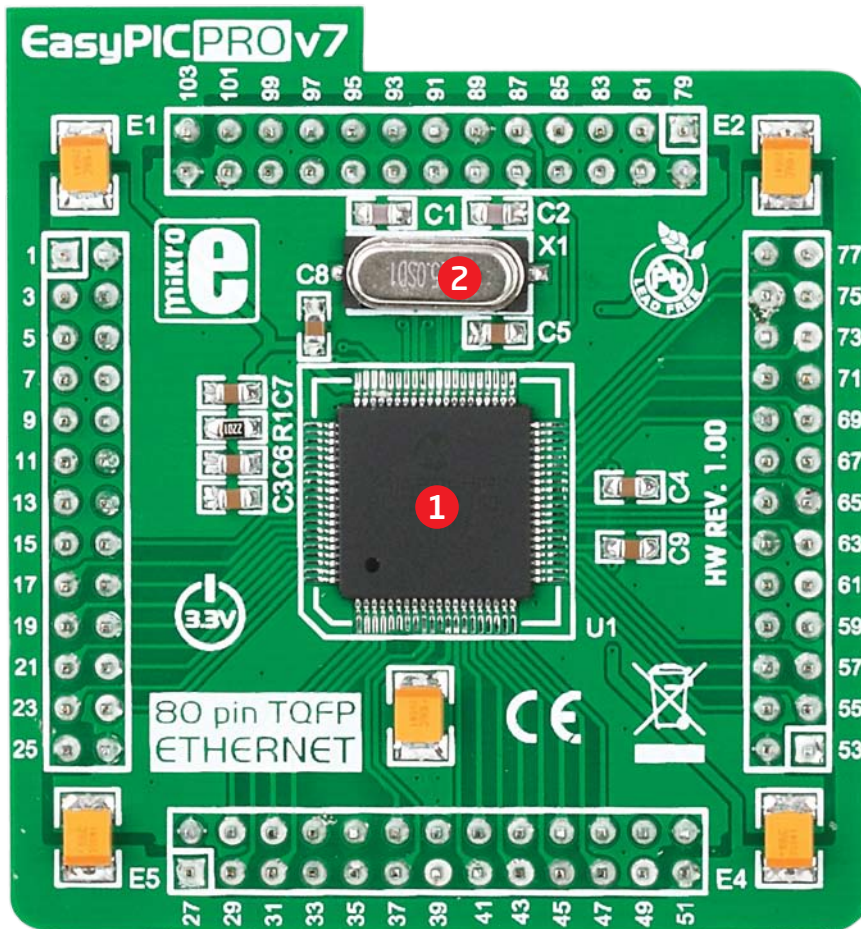


Figure 1: MCU card with PIC18F87J60

- 1 PIC18F87J60 microcontroller.** It features IEEE 802.3™ Compatible Ethernet Controller with integrated MAC and 10Base-T PHY. It supports one 10Base-T port with activity outputs for 2 LED indicators. Ethernet controller features programmable automatic retransmit on collision and programmable automatic rejection of erroneous packets. Microcontroller has up to 10 MIPS operation, 128K bytes of linear program memory, 3808 bytes of linear data memory, 8192 of ethernet RX/TX buffer and lot of internal modules.
- 2 25MHz crystal oscillator.** We carefully chose the most convenient crystal value that provides clock frequency which can be used directly, or with the PLL multipliers and dividers to create higher MCU clock value.

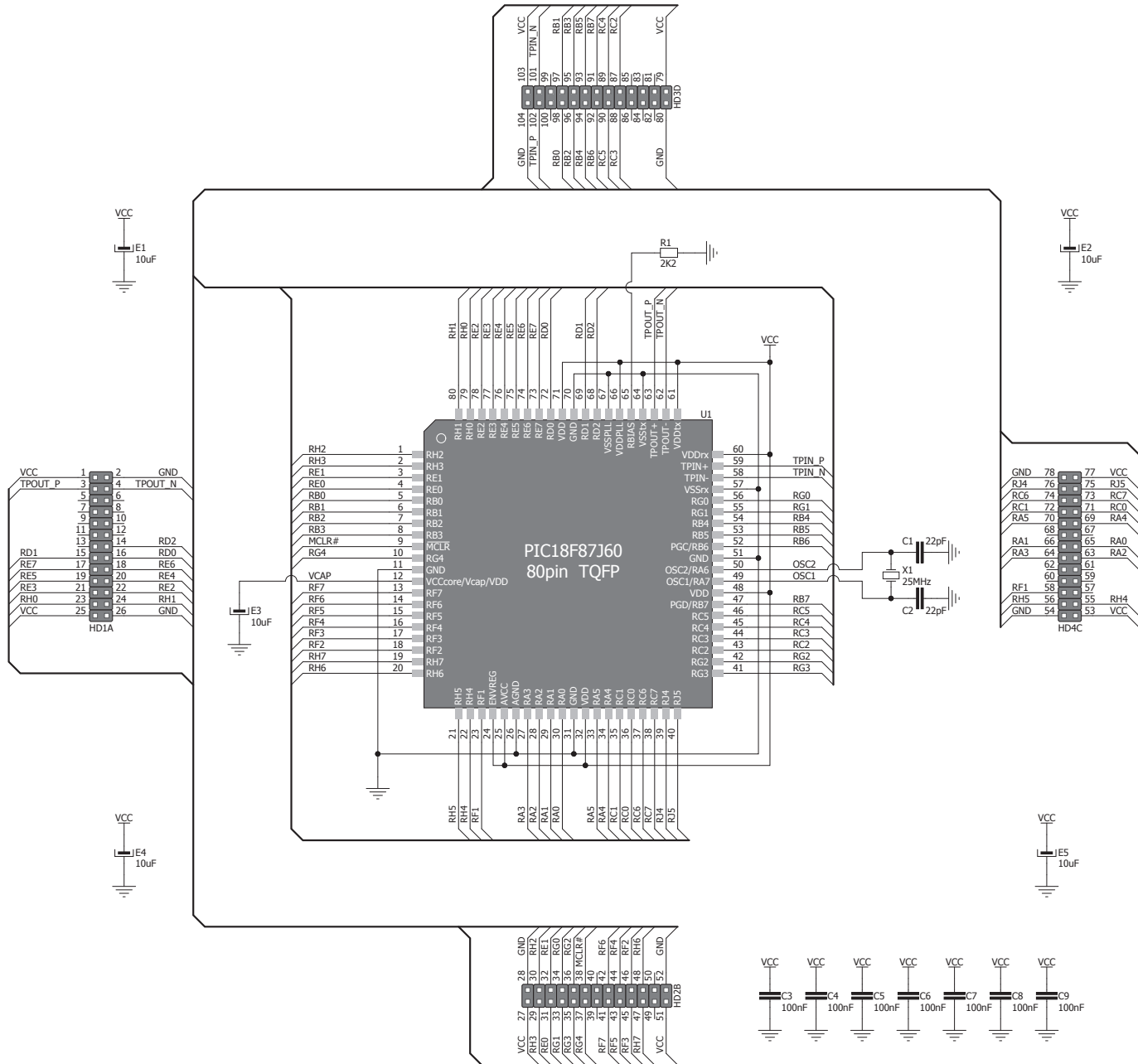


Figure 2: MCU card schematics

Card dimensions

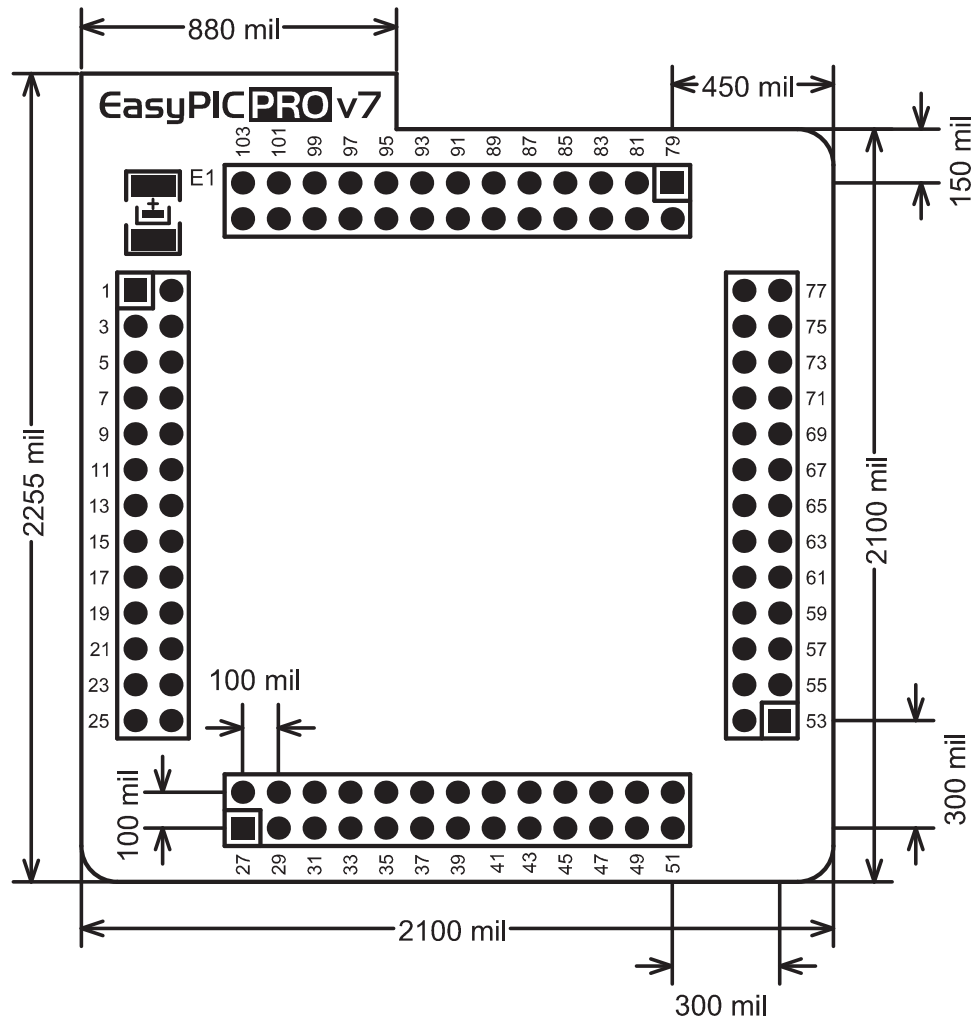
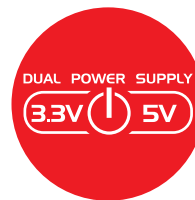
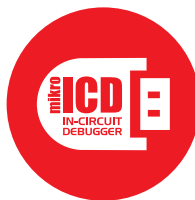


Figure 3: MCU card dimensions. Values are in mils.



If you want to learn more about our products, please visit our website at www.mikroe.com

If you are experiencing some problems with any of our products or just need additional information, please place your ticket at www.mikroe.com/esupport

If you have any questions, comments or business proposals, do not hesitate to contact us at office@mikroe.com