



PIC32MZ EMBEDDED CONNECTIVITY (EC)

PIC32MZ Embedded Connectivity (EC) 100-pin to 100-pin Plug-In Module (PIM) Information Sheet

The PIC32MZ Embedded Connectivity (EC) PIM is designed to demonstrate the capabilities of the PIC32MZ Embedded Connectivity (EC) family of devices using development boards, such as the Explorer 16 Development Board, which supports 100-pin PIM interfaces.

The PIC32MZ Embedded Connectivity (EC) is a family of high performance 32-bit microcontrollers.

Table 1 shows the mapping between the 100-pin PIM interface board functions and a 100-pin device.

Figure 1 through Figure 3 provide schematics for the example device and the PIM.

TABLE 1: PIC32MZ EMBEDDED CONNECTIVITY (EC) FAMILY 100-PIN DEVICE TO 100-PIN PIM

Device Pin #	PIC32MZ Embedded Connectivity (EC) Functional Description	PIM Pin #	Device Pin #	PIC32MZ Embedded Connectivity (EC) Functional Description	PIM Pin #
1	AN23/AERXERR/RG15	79	28	VREF-/CVREF-/AN27/AERXD2/RA9	32
2	EBIA5/AN34/PMA5/RA5	10	29	VREF+/CVREF+/AN28/AERXD3/RA10	33
3	EBID5/AN17/RPE5/PMD5/RE5	3	30	AVDD	30
4	EBID6/AN16/PMD6/RE6	4	31	AVSS	31
5	EBID7/AN15/PMD7/RE7	5	32	EBIA10/AN48/RPB8/PMA10/RB8	42
6	EBIA6/AN22/RPC1/PMA6/RC1	29	33	EBIA7/AN49/RPB9/PMA7/RB9	28
7	EBIA12/AN21/RPC2/PMA12/RC2	35	34	EBIA13/CVREFOUT/AN5/RPB10/PMA13/RB10	34
8	EBIWE/AN20/RPC3/PMWR/RC3	81	35	AN6/ERXERR/AETXERR/RB11	76
9	EBIOE/AN19/RPC4/PMRD/RC4	82	36	Vss	15, 36, 45, 65, 75
10	AN14/C1IND/ECOL/RPG6/SCK2/RG6	47	37	VDD	2, 16, 37, 46, 62
11	EBIA4/AN13/C1INC/ECRS/RPG7/SDA4/PMA4/RG7	11	38	TCK/EBIA19/AN29/RA1	38
12	EBIA3/AN12/C2IND/ERXDV/ECRS/DV/AECRS/DV/RPG8/SCL4/PMA3/RG8	12	39	TDI/EBIA18/AN30/RPF13/SCK5/RF13	60
13	Vss	15, 36, 45, 65, 75	40	TDO/EBIA17/AN31/RPF12/RF12	61
14	VDD	2, 16, 37, 46, 62	41	EBIA11/AN7/ERXD0/AECRS/PMA11/RB12	41
15	MCLR	13	42	AN8/ERXD1/AECOL/RB13	77
16	EBIA2/AN11/C2INC/ERXCLK/EREFCLK/RPG9/PMA2/RG9	14	43	EBIA1/AN9/ERXD2/AETXD3/RPB14/SCK3/PMA1/RB14	43
17	TMS/EBIA16/AN24/RA0	17	44	EBIA0/AN10/ERXD3/AETXD2/RPB15/OCFB/PMA0/RB15	44
18	AN25/AERXD0/RPE8/RE8	18	45	Vss	15, 36, 45, 65, 75
19	AN26/AERXD1/RPE9/RE9	19	46	VDD	2, 16, 37, 46, 62
20	AN45/C1INA/RPB5/RB5	20	47	AN32/AETXD0/RPD14/RD14	40
21	AN4/C1INB/RB4	21	48	AN33/AETXD1/RPD15/SCK6/RD15	39
22	AN3/C2INA/RPB3/RB3	22	49	OSCI/CLKI/RC12	63
23	AN2/C2INB/RPB2/RB2	23	50	OSCO/CLKO/RC15	64
24	PGEC1/AN1/RPB1/RB1	24	51	VBUS	1
25	PGED1/AN0/RPB0/RB0	25	52	VUSB3V3	N/C
26	PGEC2/AN46/RPB6/RB6	26	53	Vss	15, 36, 45, 65, 75
27	PGED2/AN47/RPB7/RB7	27	54	D-	89

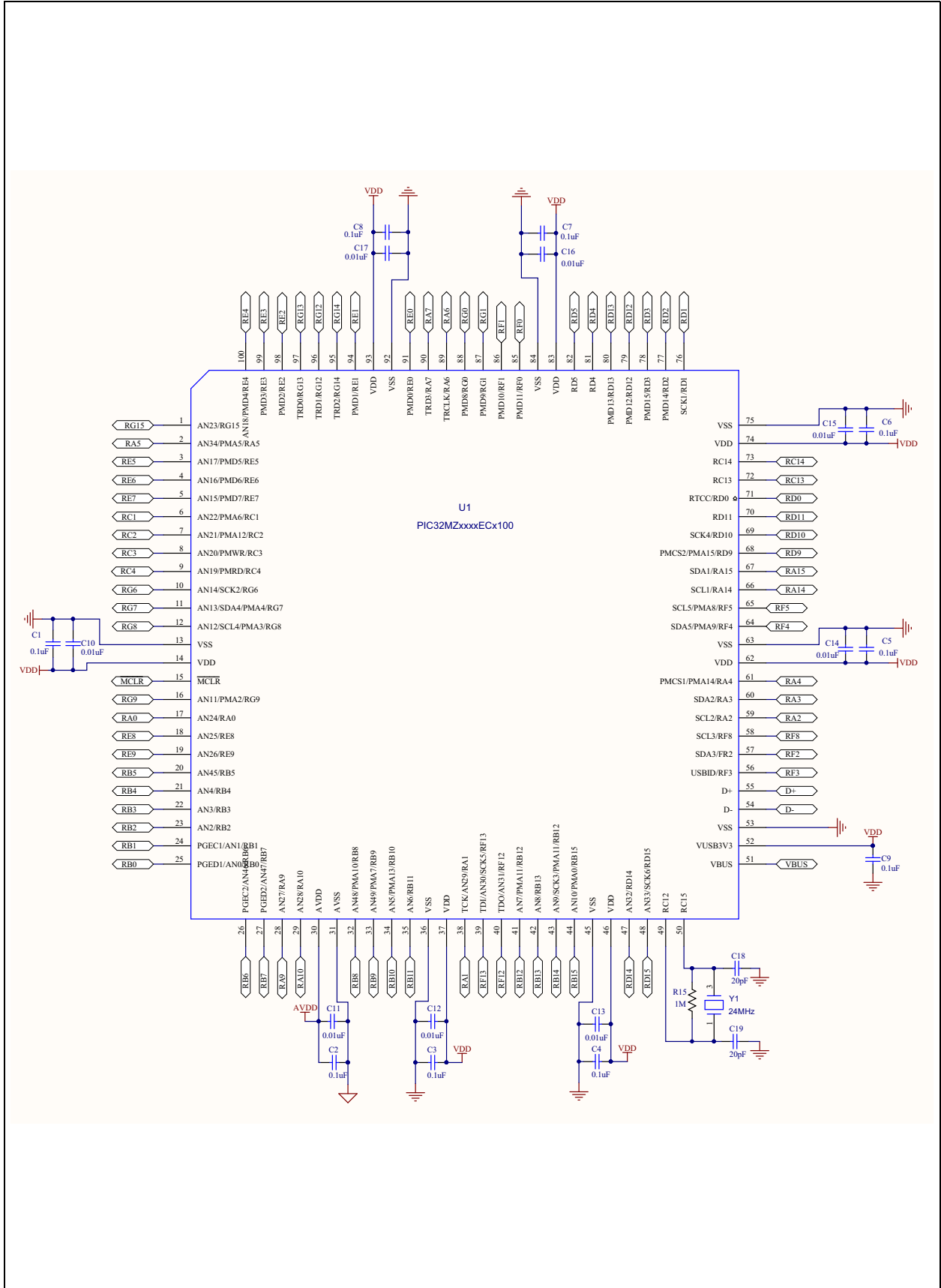
PIC32MZ EMBEDDED CONNECTIVITY (EC)

TABLE 1: PIC32MZ EMBEDDED CONNECTIVITY (EC) FAMILY 100-PIN DEVICE TO 100-PIN PIM

Device Pin #	PIC32MZ Embedded Connectivity (EC) Functional Description	PIM Pin #	Device Pin #	PIC32MZ Embedded Connectivity (EC) Functional Description	PIM Pin #
55	D+	90	78	EBID15/ETXCLK/RPD3/PMD15/RD3	67
56	USBID/RPF3/RF3	95	79	EBID12/ETXD2/RPD12/PMD12/RD12	8
57	EBIRDY3/RPF2/SDA3/RF2	52	80	EBID13/ETXD3/PMD13/RD13	84
58	EBIRDY2/RPF8/SCL3/RF8	80	81	SQICS0/RPD4/RD4	69
59	EBICS0/SCL2/RA2	58	82	SQICS1/RPD5/RD5	48
60	EBIRDY1/SDA2/RA3	59	83	VDD	2, 16, 37, 46, 62
61	EBIA14/PMCS1/PMA14/RA4	71	84	VSS	15, 36, 45, 65, 75
62	VDD	2, 16, 37, 46, 62	85	EBID11/ETXD1/RPF0/PMD11/RF0	51
63	VSS	15, 36, 45, 65, 75	86	EBID10/ETXD0/RPF1/PMD10/RF1	54
64	EBIA9/RPF4/SDA5/PMA9/RF4	49	87	EBID9/ETXERR/RPG1/PMD9/RG1	89
65	EBIA8/RPF5/SCL5/PMA8/RF5	50	88	EBID8/RPG0/PMD8/RG0	90
66	AETXCLK/RPA14/SCL1/RA14	57	89	TRCLK/SQICLK/RA6	91
67	AETXEN/RPA15/SDA1/RA15	56	90	TRD3/SQID3/RA7	92
68	EBIA15/RPD9/PMCS2/PMA15/RD9	70	91	EBID0/PMD0/RE0	93
69	RPD10/SCK4/RD10	66	92	VSS	15, 36, 45, 65, 75
70	EMDC/AEMDC/RPD11/RD11	9	93	VDD	2, 16, 37, 46, 62
71	EMDIO/AEMDIO/RPD0/RTCC/INT0/RD0	68	94	EBID1/PMD1/RE1	94
72	SOSCI/RPC13/RC13	73	95	TRD2/SQID2/RG14	97
73	SOSCO/RPC14/T1CK/RC14	74	96	TRD1/SQID1/RG12	96
74	VDD	2, 16, 37, 46, 62	97	TRD0/SQID0/RG13	72
75	VSS	15, 36, 45, 65, 75	98	EBID2/PMD2/RE2	98
76	RPD1/SCK1/RD1	55	99	EBID3/RPE3/PMD3/RE3	99
77	EBID14/ETXEN/RPD2/PMD14/RD2	6	100	EBID4/AN18/PMD4/RE4	100

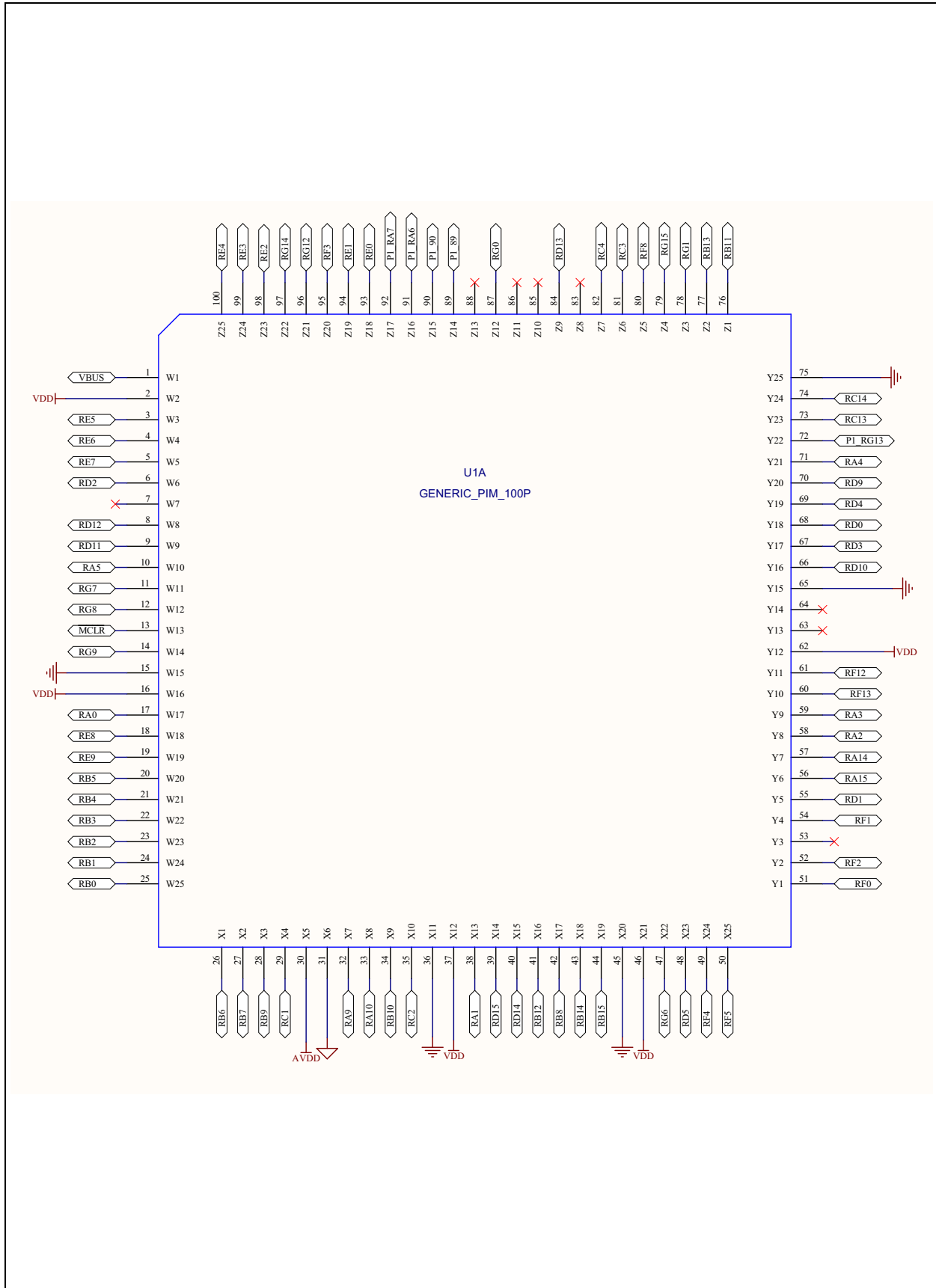
PIC32MZ EMBEDDED CONNECTIVITY (EC)

FIGURE 1: 100-PIN DEVICE SCHEMATIC



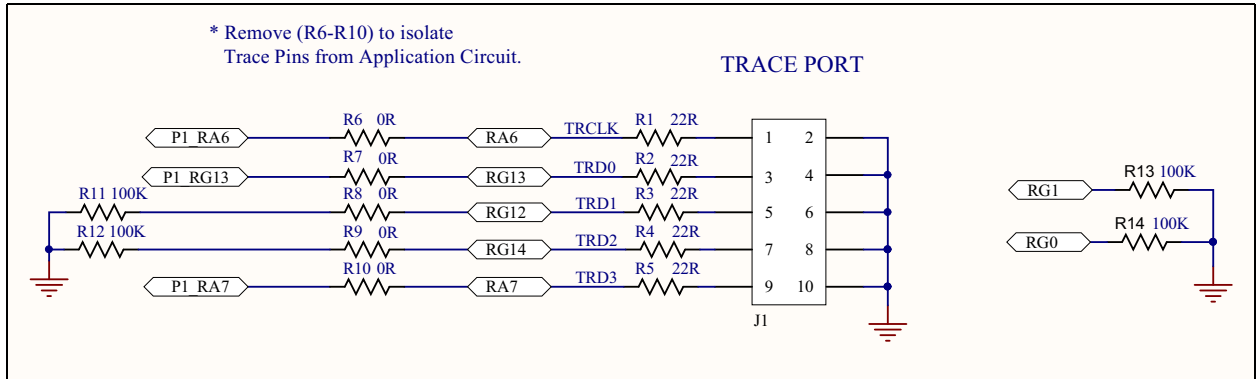
PIC32MZ EMBEDDED CONNECTIVITY (EC)

FIGURE 2: 100-PIN PIM SOCKET SCHEMATIC



PIC32MZ EMBEDDED CONNECTIVITY (EC)

FIGURE 3: TRACE PORT SCHEMATIC



PIC32MZ EMBEDDED CONNECTIVITY (EC)

NOTES:

Note the following details of the code protection feature on Microchip devices:

- Microchip products meet the specification contained in their particular Microchip Data Sheet.
- Microchip believes that its family of products is one of the most secure families of its kind on the market today, when used in the intended manner and under normal conditions.
- There are dishonest and possibly illegal methods used to breach the code protection feature. All of these methods, to our knowledge, require using the Microchip products in a manner outside the operating specifications contained in Microchip's Data Sheets. Most likely, the person doing so is engaged in theft of intellectual property.
- Microchip is willing to work with the customer who is concerned about the integrity of their code.
- Neither Microchip nor any other semiconductor manufacturer can guarantee the security of their code. Code protection does not mean that we are guaranteeing the product as "unbreakable."

Code protection is constantly evolving. We at Microchip are committed to continuously improving the code protection features of our products. Attempts to break Microchip's code protection feature may be a violation of the Digital Millennium Copyright Act. If such acts allow unauthorized access to your software or other copyrighted work, you may have a right to sue for relief under that Act.

Information contained in this publication regarding device applications and the like is provided only for your convenience and may be superseded by updates. It is your responsibility to ensure that your application meets with your specifications. MICROCHIP MAKES NO REPRESENTATIONS OR WARRANTIES OF ANY KIND WHETHER EXPRESS OR IMPLIED, WRITTEN OR ORAL, STATUTORY OR OTHERWISE, RELATED TO THE INFORMATION, INCLUDING BUT NOT LIMITED TO ITS CONDITION, QUALITY, PERFORMANCE, MERCHANTABILITY OR FITNESS FOR PURPOSE. Microchip disclaims all liability arising from this information and its use. Use of Microchip devices in life support and/or safety applications is entirely at the buyer's risk, and the buyer agrees to defend, indemnify and hold harmless Microchip from any and all damages, claims, suits, or expenses resulting from such use. No licenses are conveyed, implicitly or otherwise, under any Microchip intellectual property rights.

Trademarks

The Microchip name and logo, the Microchip logo, dsPIC, FlashFlex, KEELOQ, KEELOQ logo, MPLAB, PIC, PICmicro, PICSTART, PIC³² logo, rPIC, SST, SST Logo, SuperFlash and UNI/O are registered trademarks of Microchip Technology Incorporated in the U.S.A. and other countries.

FilterLab, Hampshire, HI-TECH C, Linear Active Thermistor, MTP, SEEVAL and The Embedded Control Solutions Company are registered trademarks of Microchip Technology Incorporated in the U.S.A.

Silicon Storage Technology is a registered trademark of Microchip Technology Inc. in other countries.


Analog-for-the-Digital Age, Application Maestro, BodyCom, chipKIT, chipKIT logo, CodeGuard, dsPICDEM, dsPICDEM.net, dsPICworks, dsSPEAK, ECAN, ECONOMONITOR, FanSense, HI-TIDE, In-Circuit Serial Programming, ICSP, Mindi, MiWi, MPASM, MPF, MPLAB Certified logo, MPLIB, MPLINK, mTouch, Omniscient Code Generation, PICC, PICC-18, PICDEM, PICDEM.net, PICkit, PICTail, REAL ICE, rLAB, Select Mode, SQI, Serial Quad I/O, Total Endurance, TSHARC, UniWinDriver, WiperLock, ZENA and Z-Scale are trademarks of Microchip Technology Incorporated in the U.S.A. and other countries.

SQTP is a service mark of Microchip Technology Incorporated in the U.S.A.

GestIC and ULPP are registered trademarks of Microchip Technology Germany II GmbH & Co. KG, a subsidiary of Microchip Technology Inc., in other countries.

All other trademarks mentioned herein are property of their respective companies.

© 2013, Microchip Technology Incorporated, Printed in the U.S.A., All Rights Reserved.

 Printed on recycled paper.

ISBN: 978-1-62077-626-1

**QUALITY MANAGEMENT SYSTEM
CERTIFIED BY DNV
= ISO/TS 16949 =**

Microchip received ISO/TS-16949:2009 certification for its worldwide headquarters, design and wafer fabrication facilities in Chandler and Tempe, Arizona; Gresham, Oregon and design centers in California and India. The Company's quality system processes and procedures are for its PIC[®] MCUs and dsPIC[®] DSCs, KEELOQ[®] code hopping devices, Serial EEPROMs, microperipherals, nonvolatile memory and analog products. In addition, Microchip's quality system for the design and manufacture of development systems is ISO 9001:2000 certified.



MICROCHIP

Worldwide Sales and Service

AMERICAS

Corporate Office
2355 West Chandler Blvd.
Chandler, AZ 85224-6199
Tel: 480-792-7200
Fax: 480-792-7277
Technical Support:
<http://www.microchip.com/support>
Web Address:
www.microchip.com

Atlanta
Duluth, GA
Tel: 678-957-9614
Fax: 678-957-1455

Austin, TX
Tel: 512-257-3370

Boston
Westborough, MA
Tel: 774-760-0087
Fax: 774-760-0088

Chicago
Itasca, IL
Tel: 630-285-0071
Fax: 630-285-0075

Cleveland
Independence, OH
Tel: 216-447-0464
Fax: 216-447-0643

Dallas
Addison, TX
Tel: 972-818-7423
Fax: 972-818-2924

Detroit
Novi, MI
Tel: 248-848-4000

Houston, TX
Tel: 281-894-5983

Indianapolis
Noblesville, IN
Tel: 317-773-8323
Fax: 317-773-5453

Los Angeles
Mission Viejo, CA
Tel: 949-462-9523
Fax: 949-462-9608

New York, NY
Tel: 631-435-6000

San Jose, CA
Tel: 408-735-9110

Canada - Toronto
Tel: 905-673-0699
Fax: 905-673-6509

ASIA/PACIFIC

Asia Pacific Office
Suites 3707-14, 37th Floor
Tower 6, The Gateway
Harbour City, Kowloon
Hong Kong
Tel: 852-2401-1200
Fax: 852-2401-3431

Australia - Sydney
Tel: 61-2-9868-6733
Fax: 61-2-9868-6755

China - Beijing
Tel: 86-10-8569-7000
Fax: 86-10-8528-2104

China - Chengdu
Tel: 86-28-8665-5511
Fax: 86-28-8665-7889

China - Chongqing
Tel: 86-23-8980-9588
Fax: 86-23-8980-9500

China - Hangzhou
Tel: 86-571-2819-3187
Fax: 86-571-2819-3189

China - Hong Kong SAR
Tel: 852-2943-5100
Fax: 852-2401-3431

China - Nanjing
Tel: 86-25-8473-2460
Fax: 86-25-8473-2470

China - Qingdao
Tel: 86-532-8502-7355
Fax: 86-532-8502-7205

China - Shanghai
Tel: 86-21-5407-5533
Fax: 86-21-5407-5066

China - Shenyang
Tel: 86-24-2334-2829
Fax: 86-24-2334-2393

China - Shenzhen
Tel: 86-755-8864-2200
Fax: 86-755-8203-1760

China - Wuhan
Tel: 86-27-5980-5300
Fax: 86-27-5980-5118

China - Xian
Tel: 86-29-8833-7252
Fax: 86-29-8833-7256

China - Xiamen
Tel: 86-592-2388138
Fax: 86-592-2388130

China - Zhuhai
Tel: 86-756-3210040
Fax: 86-756-3210049

ASIA/PACIFIC

India - Bangalore
Tel: 91-80-3090-4444
Fax: 91-80-3090-4123

India - New Delhi
Tel: 91-11-4160-8631
Fax: 91-11-4160-8632

India - Pune
Tel: 91-20-3019-1500

Japan - Osaka
Tel: 81-6-6152-7160
Fax: 81-6-6152-9310

Japan - Tokyo
Tel: 81-3-6880-3770
Fax: 81-3-6880-3771

Korea - Daegu
Tel: 82-53-744-4301
Fax: 82-53-744-4302

Korea - Seoul
Tel: 82-2-554-7200
Fax: 82-2-558-5932 or
82-2-558-5934

Malaysia - Kuala Lumpur
Tel: 60-3-6201-9857
Fax: 60-3-6201-9859

Malaysia - Penang
Tel: 60-4-227-8870
Fax: 60-4-227-4068

Philippines - Manila
Tel: 63-2-634-9065
Fax: 63-2-634-9069

Singapore
Tel: 65-6334-8870
Fax: 65-6334-8850

Taiwan - Hsin Chu
Tel: 886-3-5778-366
Fax: 886-3-5770-955

Taiwan - Kaohsiung
Tel: 886-7-213-7830

Taiwan - Taipei
Tel: 886-2-2508-8600
Fax: 886-2-2508-0102

Thailand - Bangkok
Tel: 66-2-694-1351
Fax: 66-2-694-1350

EUROPE

Austria - Wels
Tel: 43-7242-2244-39
Fax: 43-7242-2244-393

Denmark - Copenhagen
Tel: 45-4450-2828
Fax: 45-4485-2829

France - Paris
Tel: 33-1-69-53-63-20
Fax: 33-1-69-30-90-79

Germany - Dusseldorf
Tel: 49-2129-3766400

Germany - Munich
Tel: 49-89-627-144-0
Fax: 49-89-627-144-44

Germany - Pforzheim
Tel: 49-7231-424750

Italy - Milan
Tel: 39-0331-742611
Fax: 39-0331-466781

Italy - Venice
Tel: 39-049-7625286

Netherlands - Druen
Tel: 31-416-690399
Fax: 31-416-690340

Poland - Warsaw
Tel: 48-22-3325737

Spain - Madrid
Tel: 34-91-708-08-90
Fax: 34-91-708-08-91

Sweden - Stockholm
Tel: 46-8-5090-4654

UK - Wokingham
Tel: 44-118-921-5800
Fax: 44-118-921-5820

10/28/13