



DC COMPONENTS CO., LTD.

RECTIFIER SPECIALISTS

KBU8A / RS801

THRU

KBU8M / RS807

TECHNICAL SPECIFICATIONS OF SINGLE-PHASE SILICON BRIDGE RECTIFIER

VOLTAGE RANGE - 50 to 1000 Volts

CURRENT - 8.0 Amperes

FEATURES

- * Low leakage
- * Low forward voltage
- * Surge overload rating: 250 Amperes peak

MECHANICAL DATA

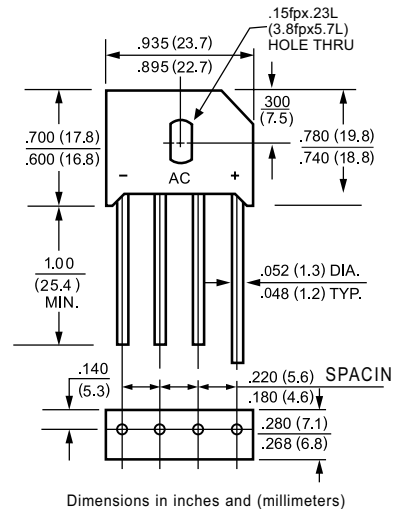
- * Case: Molded plastic
- * Epoxy: UL 94V-0 rate flame retardant
- * Lead: MIL-STD-202E, Method 208 guaranteed
- * Polarity: Symbols molded or marked on body
- * Mounting position: Any
- * Weight: 4.8 grams

MAXIMUM RATINGS AND ELECTRICAL CHARACTERISTICS

Ratings at 25 °C ambient temperature unless otherwise specified.
 Single phase, half wave, 60 Hz, resistive or inductive load.
 For capacitive load, derate current by 20%.



KBU



Dimensions in inches and (millimeters)

	SYMBOL	KBU8A	KBU8B	KBU8D	KBU8G	KBU8J	KBU8K	KBU8M	UNITS
		RS801	RS802	RS803	RS804	RS805	RS806	RS807	
Maximum Recurrent Peak Reverse Voltage	V _{RRM}	50	100	200	400	600	800	1000	Volts
Maximum RMS Bridge Input Voltage	V _{RMS}	35	70	140	280	420	560	700	Volts
Maximum DC Blocking Voltage	V _{DC}	50	100	200	400	600	800	1000	Volts
Maximum Average Forward Rectified Output Current at T _c = 75°C	I _O	8.0						Amps	
Peak Forward Surge Current 8.3 ms single half sine-wave superimposed on rated load	I _{FSM}	250						Amps	
Maximum Forward Voltage Drop per element at 4.0A DC	V _F	1.0						Volts	
Maximum DC Reverse Current at Rated	I _R	@ T _A = 25°C						10	
DC Blocking Voltage per element		@ T _C = 100°C						500	
I ² t Rating for Fusing (t<8.3ms)	I ² t	127						A ² Sec	
Typical Junction Capacitance (Note1)	C _J	186						pF	
Typical Thermal Resistance (Note 2)	R _{θJA}	10						°C/W	
Operating and Storage Temperature Range	T _J ,T _{STG}	-55 to + 150						°C	

NOTES : 1.Measured at 1 MHz and applied reverse voltage of 4.0 volts

2. Thermal Resistance from Junction to Ambient and from junction to leadmounted on P.C.B. with 0.47 x 0.47" (12x12mm) copper pads.

RATING AND CHARACTERISTIC CURVES

(KBU8A THRU KBU8M)
 (RS801 THRU RS807)

FIG. 1 - MAXIMUM NON-REPETITIVE FORWARD SURGE CURRENT

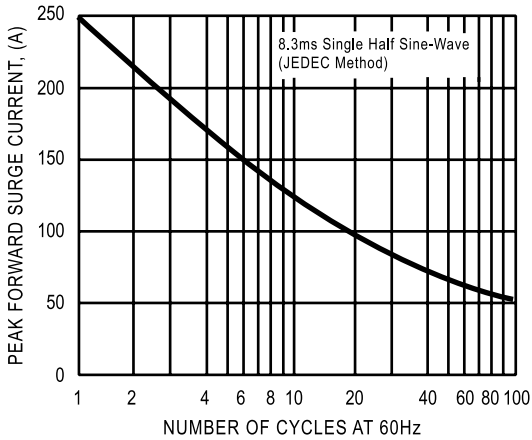


FIG. 2 - TYPICAL FORWARD CURRENT DERATING CURVE

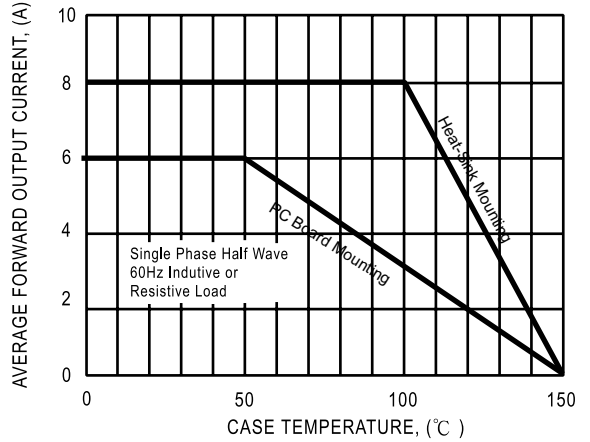


FIG. 3 - TYPICAL INSTANTANEOUS FORWARD CHARACTERISTICS

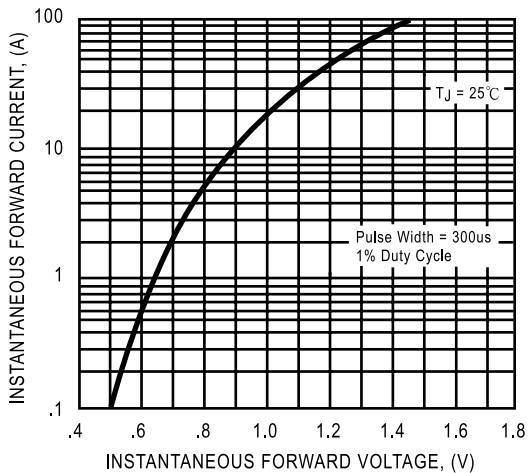
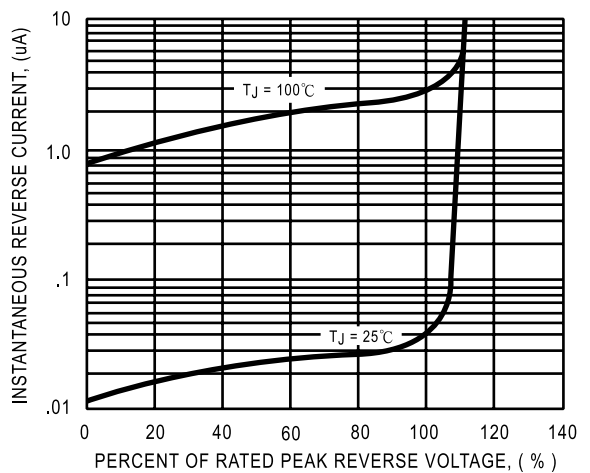


FIG. 4 - TYPICAL REVERSE CHARACTERISTICS



DC COMPONENTS CO., LTD.