



Zakład Mechaniki i Elektroniki
ZAMEL sp.j.
 J.W. Dzida, K. Łodzińska

zameL

ul. Zielona 27, 43-200 Pszczyna, Poland
 Tel. +48 (32) 210 46 65, Fax +48 (32) 210 80 04
 www.zamel.pl, e-mail: marketing@zamel.pl

DESCRIPTION

The staircase lighting time delay switch ASN-01 is used to control lighting devices on staircases and corridors. After releasing the system it switches on the lighting for the preset time by the user. After that it switches off automatically. The operating time can be adjusted from 10 sec to 10 min by means of the potentiometer placed on the front panel of the device. The staircase lighting time delay switch ASN-01 can be used as standard time delay relay. The surface mounting enables flat surfaces mounting.

FEATURES

- ☞ Staircase lighting control,
- ☞ operating time adjustment from 10 sec to 10 min,
- ☞ power supply indicator – red LED diode,
- ☞ cooperation with monostable pushbuttons equipped with illumination lamps,
- ☞ cooperation with 3-wire or 4-wire installation,
- ☞ surface mounted casing,
- ☞ voltage relay output max 16 A capacity.



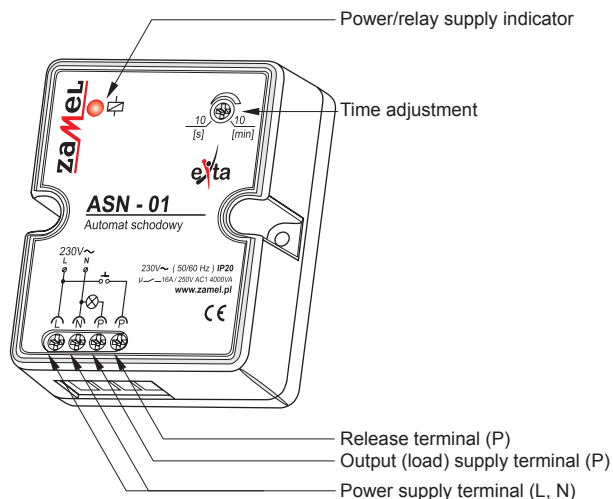
The device is designed for one-phase installation and must be installed in accordance with standards valid in a particular country. The device should be connected according to the details included in this operating manual. Installation, connection and control should be carried out by a qualified electrician staff, who act in accordance with the service manual and the device functions. Disassembling of the device is equal with a loss of guarantee and can cause electric shock. Before installation make sure the connection cables are not under voltage. The cruciform head screwdriver 3,5 mm should be used to instal the device. Improper transport, storage, and use of the device influence its wrong functioning. It is not advisable to instal the device in the following cases: if any device part is missing or the device is damaged or deformed. In case of improper functioning of the device contact the producer.

TECHNICAL PARAMETERS

ASN - 01

Input (supply) terminals:	L, N
Input rated voltage:	230 V~
Input voltage tolerance:	from -15 to +10%
Nominal frequency:	50 / 60 Hz
Rated power consumption:	48 mA
Supply/release terminals:	P / P (connected inside the device)
Power/relay supply indicator:	dioda LED czerwona
Time adjustment range:	from 10 sec to 10 min
Time accuracy adjustment:	±10 %
Time repeatability adjustment:	±5 %
Time adjustment:	rotational potentiometer
Output relay parameters:	16 A / 250 V AC1 4000 VA
Number of terminal clamps:	4
Section of connecting cables:	from 0,2 to 2,50 mm ²
Ambient temperature range:	from -20 to +45 °C
Operating position:	free
Mounting:	2 x stretcher 5x(3x30)
Protection degree:	IP20 (PN-EN 60529)
Protective class:	II
Overvoltage category:	II
Pollution degree:	2
Rated impulse withstand voltage:	1 kV (PN-EN 61000-4-5)
Dimensions (height / width / depth):	69x56x27 mm
Weight:	76 g
Reference standards:	PN-EN 60669-1 PN-EN 60669-2-1 PN-EN 61000-4-2,3,4,5,6,11

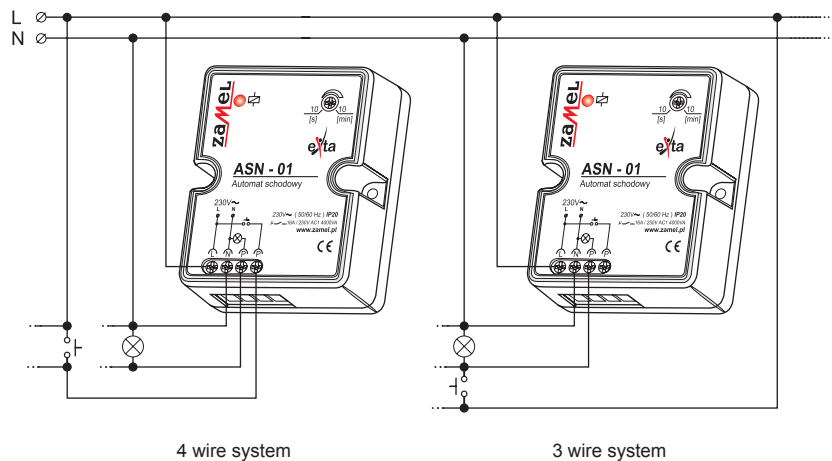
APPEARANCE



MOUNTING

1. Disconnect the power supply from the mains by the phase fuse, the circuit-breaker or the switch-disconnector that are joined to the proper circuit,
2. **Check if there is no voltage on connection cables by means of a special measure equipment,**
3. Fasten the ASN-01 to the base with the screw,
4. Connect the cables with the terminals according to installing diagram,
5. Switch on the power supply from the mains,
6. Adjust the demanded switch on time by means of a potentiometer.

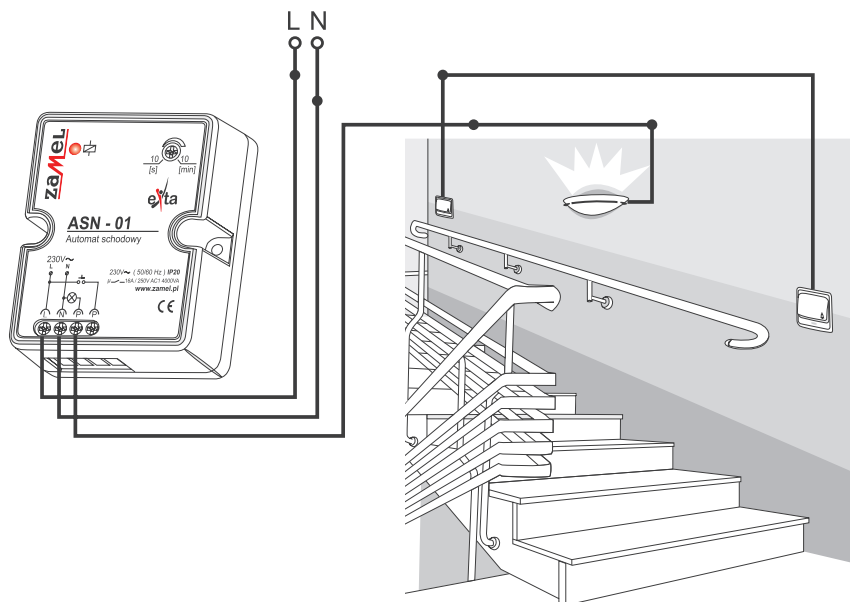
CONNECTING



FUNCTIONING

After proper mounting and installation the device is ready to work. Releasing the system with the monostable pushbutton causes the lighting to switch on for the preset time. After the preset time is over the lighting is automatically switched off till its another release. The staircase lighting time delay switch cooperates with 3-wire or 4-wire system. While mounting the device pay attention the release and load systems are properly connected, otherwise the device can be irreparably damaged. Because of no anti-blocking system the light is constantly switched on in cases the pushbutton is blocked.

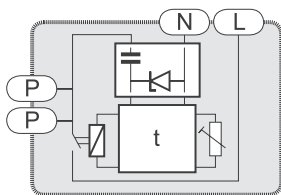
EXAMPLE OF INSTALLATION



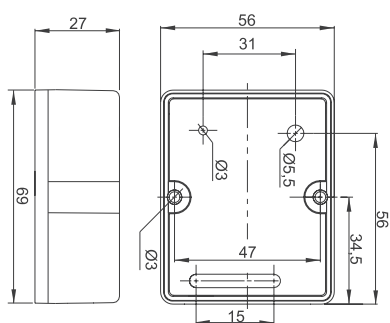
Typical application:

The staircase lighting time delay switch ASN-01 operating the staircase lighting works in 3-wire installation. Monostable pushbutton (equipped with illumination) can be joined parallelly.

INNER DIAGRAM



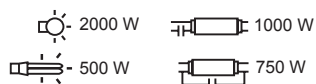
DIMENSIONS



TIME COURSE



RELAY CAPACITY



PRODUCT FAMILY

The staircase lighting time delay switch ASN-01 belongs to staircase lighting time delay switches ASx family.

ASx - xx (/24V)

Version 24 V AC/DC
Wersja urządzenia: 01 - 3, 4 wire installation 02 - anti-lock system 10 - dimmer function (double modular casing)
Type of casing: M - monomodular N - surface mounting H - hermetical
Symbol