



**Zakład Mechaniki i Elektroniki  
ZAMEL sp.j.**  
J.W. Dzida, K. Łodzińska

**zAMEL**

ul. Zielona 27, 43-200 Pszczyna, Poland  
Tel. +48 (32) 210 46 65, Fax +48 (32) 210 80 04  
www.zamelcet.com, e-mail: marketing@zamel.pl

### DESCRIPTION

The staircase lighting time delay switch ASM-01/U is used to control lighting devices on staircases and corridors. After releasing the system it switches on the lighting for the preset time by the user. After that it switches off automatically. The operating time can be adjusted from 10 sec to 10 min by means of a potentiometer. The staircase lighting time delay switch ASM-01/U can be used as standard time delay relay.

### FEATURES

- Operating time adjustment from 10 seconds to 10 minutes
- universal supply voltage 12÷240V AC/DC
- cooperation with 3- or 4-wires installation
- relay output - 1 voltage contact contact max 16 A capacity,
- monomodular casing.



The device is designed for one-phase installation and must be installed in accordance with standards valid in a particular country. The device should be connected according to the details included in this operating manual. Installation, connection and control should be carried out by a qualified electrician staff, who act in accordance with the service manual and the device functions. Disassembling of the device is equal with a loss of guarantee and can cause electric shock. Before installation make sure the connection cables are not under voltage. The cruciform head screwdriver 3,5 mm should be used to instal the device. Improper transport, storage, and use of the device influence its wrong functioning. It is not advisable to instal the device in the following cases: if any device part is missing or the device is damaged or deformed. In case of improper functioning of the device contact the producer.



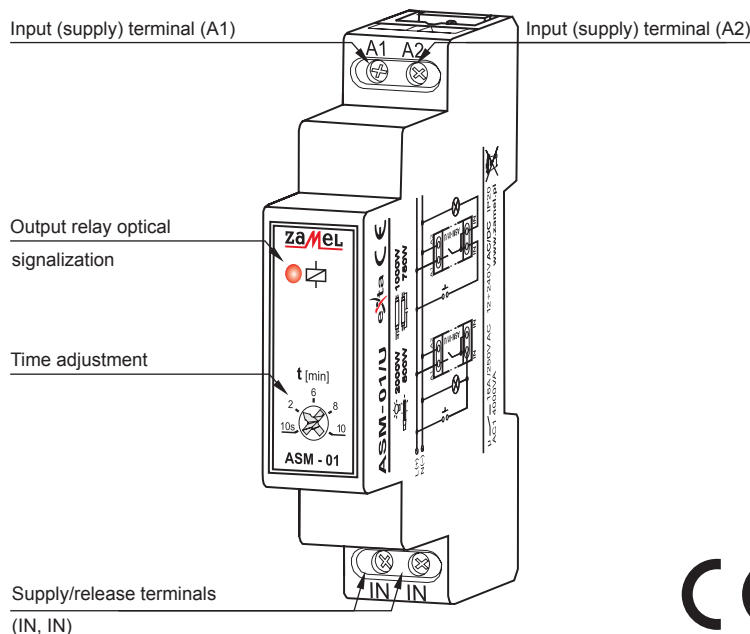
The symbol stands for selective collection of electrical and electronic devices. Placing used devices with other waste is not allowed

### TECHNICAL PARAMETERS

#### ASM-01/U

Input (supply) terminals:	A1, A2
Input rated voltage:	12 ÷ 240 V AC/DC
Input voltage tolerance:	from -15 to +10%
Nominal frequency:	50 / 60 Hz
Rated power consumption:	8 mA
Supply/release terminals:	IN / IN (connected inside the device)
Output relay optical signalization:	red LED diode
Time adjustment range:	from 10 sec to 10 min
Time accuracy adjustment:	±10 %
Time repeatability adjustment:	±5 %
Time adjustment:	smooth (rotary potentiometer)
Output relay parameters:	1NO - 16A/250 V AC1 4000 VA
Number of terminal clamps:	4
Section of connecting cables:	from 0,2 to 2,50 mm <sup>2</sup>
Ambient temperature range:	from -20 to +45 °C
Operating position:	free
Mounting:	TH35 rail (PN-EN 60715)
Protection degree:	IP20 (PN-EN 60529)
Protective class:	II
Overvoltage category:	II
Pollution degree:	2
Rated impulse withstand voltage:	1 kV (PN-EN 61000-4-5)
Dimensions (height / width / depth):	monomodular(17,5mm) 90x17,5x66mm
Weight:	0,078 kg
Reference standards:	PN-EN 60669-1; PN-EN 60669-2-1 PN-EN 61000-4-2,3,4,5,6,11

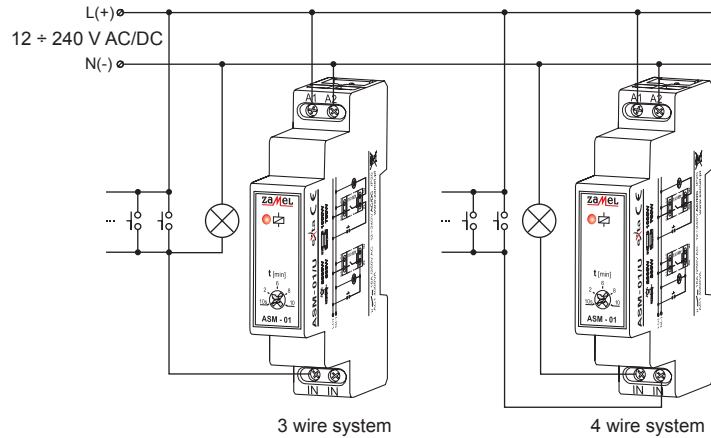
### APPEARANCE



## MOUNTING

1. Disconnect the power supply from the mains by the phase fuse, the circuit-breaker or the switch-disconnector that are joined to the proper circuit.
2. **Check if there is no voltage on connection cables by means of a special measure equipment.**
3. Install **ASM-01/U** device in the switch-board on TH 35 DIN rail.
4. Connect the cables with the terminals according to installing diagram.
5. Switch on the power supply from the mains.
6. Adjust the demanded switch on time by means of a potentiometer.

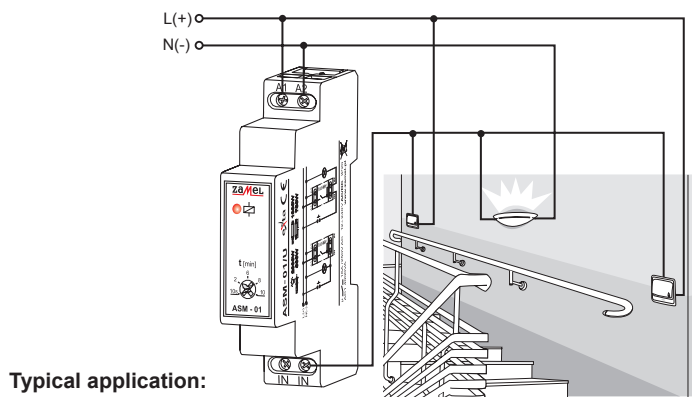
## CONNECTING



## FUNCTIONING

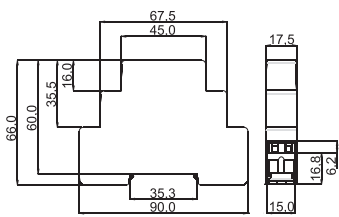
After proper mounting and installation the device is ready to work. Releasing the system with the monostable pushbutton causes the lighting on for the preset time. After the preset time is over the lighting is automatically switched off till its another release. The staircase lighting time delay switch cooperates with 3-wire or 4-wire system. While mounting the device pay attention the release and load systems are properly connected, otherwise the device can be irreparably damaged. Because of no anti-blocking system the light is constantly switched on in cases the pushbutton is blocked.

## EXAMPLE OF INSTALLATION

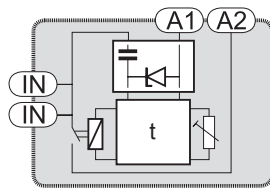


The staircase lighting time delay switch ASM-01/U operating the staircase lighting works in 3-wire installation. Push-buttons (equipped with illumination) can be connected parallelly.

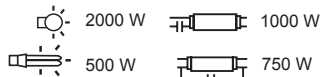
## DIMENSIONS



## INNER DIAGRAM



## RELAY CAPACITY

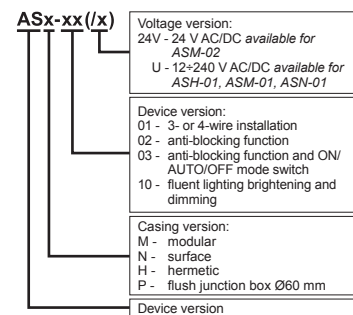


## TIME COURSE



## PRODUCT FAMILY

ASM-01/U belongs to staircase time delay switches ASx family.



## GUARANTEE CARD

There is 24 months guarantee on the product

1. ZAMEL provides a two-year warranty for its products.
2. The ZAMEL warranty does not cover:
  - a) mechanical defects resulting from transport, loading / unloading or other circumstances,
  - b) defects resulting from incorrect installation or operation of ZAMEL products,
  - c) defects resulting from any changes made by CUSTOMERS or third parties, to products sold or equipment necessary for the correct operation of products sold,
  - d) defects resulting from force majeure or other aleatory events for which ZAMEL is not liable.
3. All complaints in relation to the warranty must be provided by the CUSTOMER in writing to the retailer after discovering a defect.
4. ZAMEL will review complaints in accordance with existing regulations.
5. The way a complaint is settled, e.g. replacement of the product, repair or refund, is left to the discretion of ZAMEL.

Salesman stamp and signature, date of sale