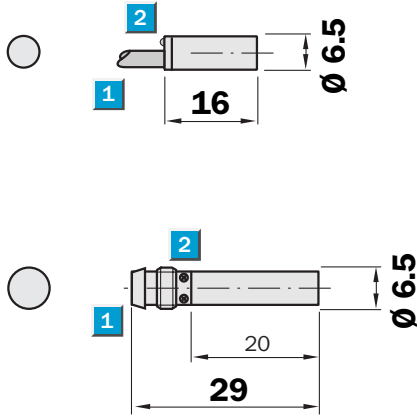


Sensing range
1.5 mm

Inductive sensor

- Can be installed flush
- High switching frequency
- Short-circuit protection (pulsed)
- Solid stainless steel housing
- Enclosure rating IP 67

Dimensional drawing



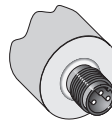
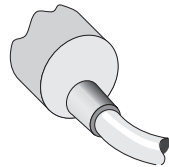
- 1 Connection
- 2 Display LED



Connection type

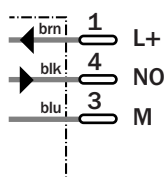
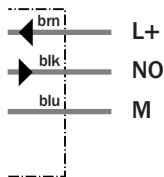
IH06-1B5NS-VWK
IH06-1B5PS-VWK

IH06-1B5NS-VTK
IH06-1B5PS-VTK



3 x 0.14 mm²

M8, 3-pin



See chapter Accessories
Connector, M8, 3-pin
Mounting systems

Technical data		IH06-	1B5NS-VWK	1B5PS-VWK	1B5NS-VTK	1B5PS-VTK						
Sensing range S_n	1.5 mm											
Electrical configuration	DC 3-wire											
Supply voltage V_s	DC 10 ... 30 V											
Residual ripple V_{pp}	$\leq 20\%$ ¹⁾											
Voltage drop V_d	$\leq 2\text{ V}$ ²⁾											
Power consumption	$\leq 10\text{ mA}$ ³⁾											
Continuous current I_a	$\leq 200\text{ mA}$											
Time delay before availability t_v	$\leq 10\text{ ms}$											
Hysteresis H, of s_r	10 %											
Repeatability R	$\leq 5\%$ (U_b and T_a constant)											
Temperature drift, of s_r	$\pm 10\%$											
EMC	According to EN 60947-5-2											
Switching output	PNP											
	NPN											
Output function	Normally open ⁴⁾											
Installation	Flush											
Connection type	Connector, M8, 3-pin											
	Cable, PVC, 2 m											
Enclosure rating	IP 67 ⁵⁾											
Max. switching frequency	5,000 Hz											
Sleeve diameter	6.5 mm											
Short circuit protection	✓ ⁶⁾											
Reverse polarity protection	✓											
Power-up pulse suppression	✓											
Shock/vibration stress	30 g, 11 ms/10 ... 55 Hz, 1 mm											
Ambient operating temperature T_a	-25 °C ... +70 °C											
Housing material	Stainless steel, plastic											

¹⁾ of U_b
²⁾ at $I_a = 200\text{ mA}$

³⁾ without load

⁴⁾ normally closed function available on re-

quest
⁵⁾ according to EN 60529

⁶⁾ (pulsed)

Order information

Type	Order no.
IH06-1B5NS-VWK	6 020 166
IH06-1B5PS-VWK	6 020 165
IH06-1B5NS-VTK	6 020 170
IH06-1B5PS-VTK	6 020 169