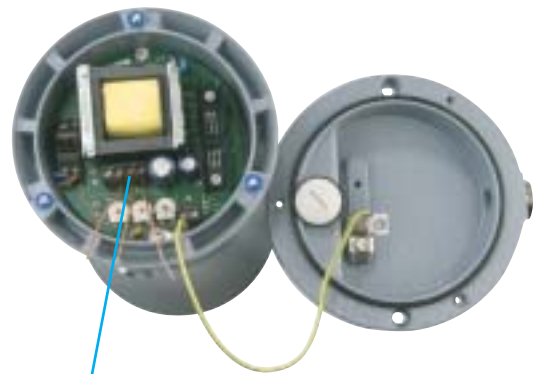


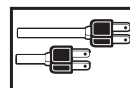
Type D  
tone selection by DIP switch,  
1 of 15 tone types selectable



Type K  
tone selection via terminal,  
all 15 tone types externally addressable

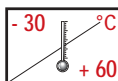
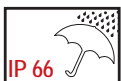
## Features

- ▶ loud electronic sounders – up to 118 dB
- ▶ robust, high-quality design
- ▶ housing made of aluminium die cast, epoxy powder coated
- ▶ 15 different tone types, additionally lower/upper frequency and speed individually adjustable by potentiometer – for versatile applications
- ▶ tone types selection by  
DIP switch (Type D) – 1 of 15 tones type pre-selectable  
Terminal (Type K) – all 15 tone types externally addressable
- ▶ models  
EHS – swiveling loudspeaker  
EHF – fixed loudspeaker  
EHL – short loudspeaker
- ▶ special models with particular sound tables, volume control, seawater resistant housings, models for low temperature applications etc. upon inquiry

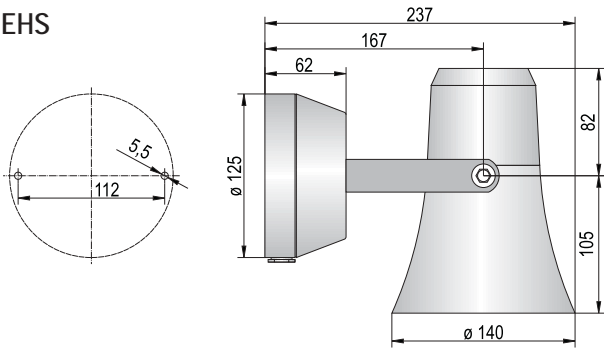


## Technical data

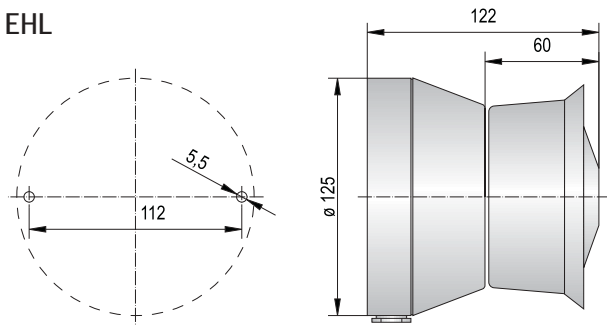
Type	EHS	EHF	EHL
Housing, Colour	aluminium die cast epoxy-powder coated, RAL 7000		
Mounting	sound outlet horizontal or down		
Tone frequency	0 - 1.500 Hz		
Duty cycle factor	100 %		
Terminal	up to 2,5 mm <sup>2</sup> single wire		
Cable entry	5 - 12 mm		
Cable conduit	surface or buried		
Temperature range	-30 °C up to +60 °C		
Sound pressure	up to 118 dB	up to 110 dB	
Tone types	see sound table		
Tone type selection	Type D: DIP switch Type K: externally by terminal selection		
Speed	adjustable by potentiometer		
Weight	2 kg	1,5 kg	



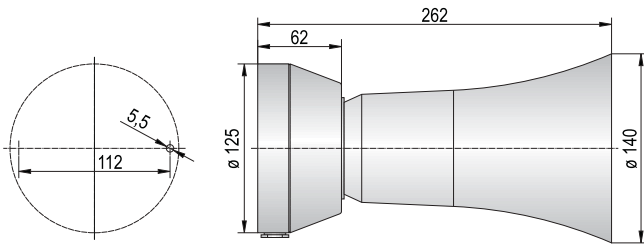
EHS



EHL



EHF



## Order data

Nominal voltage (V)	Hz	Order data						Nominal current (mA)
		EHS-D	EHS-K	EHF-D	EHF-K	EHL-D	EHL-K	
12-24 V AC/DC		731 010 405	731 020 405	731 110 405	731 120 405	730 010 405	730 020 405	12 V: <470 24 V: <940
110/120 V AC	40-60	731 010 310	731 020 310	731 110 310	731 120 310	730 010 310	730 020 310	120
230/240 V AC		731 010 313	731 020 313	731 110 313	731 120 313	730 010 313	730 020 313	60



Tone table									
DIP Switch	Terminal	Tone Type		Tone Frequency (Hz)		Speed	Volume dB (depends on frequency)		
				upper	lower		Hz	EHS-EHF	EHL
1		offen	triangle tone		1.500	500	7-22	113	105
2		3-4	continuous tone		500-1.500			118	110
3		3-5	continuous tone			500-1.500		118	110
4		3-5 & 3-4	interrupted tone		500-1.500		0,5-1,5	118	110
5		3-6	interrupted tone			500-1.500	0,5-1,5	118	110
6		3-6 & 3-4	alternating tone		500-1.500	500-1.500	0,5-1,5	118	110
7		3-6 & 3-5	saw tooth tone ascending		500-1.500	500-1.500	0,5-1,5	118	110
8		3-6 & 3-5 & 3-4	saw tooth tone descending		500-1.500	500-1.500	0,5-1,5	118	110
9		3-7	sinus tone		500-1.500	500-1.500	0,5-1,5	112	105
10		3-7 & 3-4	DIN emergency signal		1.200	500	1	112	105
11		3-7 & 3-5	siren tone		1.500	500	2-4 s	118	110
12		3-7 & 3-5 & 3-4	horn (continuous)			100-350		106	100
13		3-7 & 3-6	three tone gong		660-550-440		2-4 s	96	92
14		3-7 & 3-6 & 3-4	two tone gong		550-440		2-3 s	94	90
15		3-7 & 3-6 & 3-5	Gong			500-1.500	1-3 s	112	104

customer specific sound types available in request and surcharge