

MT-TEA-...

time relays



- Time relays with independently controled times T1 and T2, time function EWa (OFF delay and breaking time delay), 7 time ranges • Cadmium - free contacts • AC/DC input voltages
- Cover - installation module, width 17,5 mm
- Direct mounting on 35 mm rail mount acc. to PN-EN 60715
- Application: in low-voltage systems
- Compliance with standard PN-EN 61812-1
- Recognitions, certifications, directives: **CE EAC**

Output circuit - contact data

Number and type of contacts		1 CO	
Contact material		AgNi	
Max. switching voltage		400 V AC / 300 V DC	
Rated load	AC1	10 A / 250 V AC	
	DC1	10 A / 24 V DC; 0,3 A / 250 V DC	
Rated current		10 A / 250 V AC	
Max. breaking capacity	AC1	16 A / 250 V AC	
Min. breaking capacity		0,3 W 5 V, 5 mA	
Contact resistance		≤ 100 mΩ	
Max. operating frequency			
• at rated load	AC1	600 cycles/hour	
Input circuit			
Rated voltage	AC: 50/60 Hz AC/DC	12...240 V	terminals (+)A1 – (-)A2
Operating range of supply voltage		0,9...1,1 U _n	
Rated power consumption	AC	≤ 4,5 VA AC: 50 Hz	
	DC	≤ 1,5 W	
Range of supply frequency	AC	48...63 Hz	
Control contact S ①			
• min. voltage ②		0,7 U _n	
• min. time of pulse duration ②		AC: ≥ 50 ms	DC: ≥ 20 ms
Insulation according to PN-EN 60664-1			
Insulation rated voltage		250 V AC	
Rated surge voltage		2 500 V 1,2 / 50 μs	
Overvoltage category		II	
Insulation pollution degree		1	
Flammability degree		V-0 UL94	
Dielectric strength	• input - output	2 500 V AC	type of insulation: basic
	• contact clearance	1 000 V AC	type of clearance: micro-disconnection
General data			
Electrical life	• resistive AC1	> 0,5 x 10 ⁵	10 A, 250 V AC
Mechanical life (cycles)		> 3 x 10 ⁷	
Dimensions (L x W x H) / Weight		90 ③ x 17,5 x 63,5 mm / 64 g	
Ambient temperature	• storage	-40...+70 °C	
	• operating	-20...+45 °C	
Cover protection category		IP 20	PN-EN 60529
Relative humidity		up to 85%	
Shock / vibration resistance		15 g / 0,35 mm	10...55 Hz
Time module data			
Functions		EWa	
Time ranges		1 s ④; 10 s; 1 min.; 10 min.; 1 h; 10 h; 100 h	
Timing adjustment		smooth - (0,1...1) x time range	
Setting accuracy		± 5% ⑤ ⑥	
Repeatability		± 0,5% ⑥	
Values affecting the timing adjustment	• temperature	± 0,05% / °C	
	• humidity	± 0,05% / %HR	
Recovery time		≤ 50 ms	
LED indicator		green LED U ON - indication of supply voltage U green LED U slow flashing - measurement of T1 time green LED U fast flashing - measurement of T2 time yellow LED R ON/OFF - output relay status	

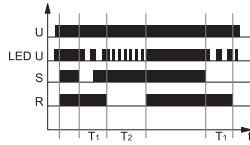
① The control terminal S is activated by connection to A1 terminal via the external control contact S. ② Where the control signal is recognizable. ③ Length with 35 mm rail taps: 98,8 mm. ④ For first range setpoint (1 s) setting accuracy and repeatability are smaller than the given ones in technical parameters (significant influence of the operational relay operating time, processor start-time, and the moment of supply switching as referred to the AC supply course). ⑤ Calculated from the final range values, for the setting direction from minimum to maximum.

MT-TEA-...

time relays

Time functions

EWa - OFF delay and breaking time delay with opening of the control contact S. Independent settings of T1 and T2 intervals.



The input of the time relay is supplied with voltage U continuously. Closing of the control contact S switches on the output relay R. Opening of the control contact S starts the interval T1, and after the interval has lapsed, the output relay R switches off for the interval T2. Following the interval T2, the output relay R will be switched on again when the control contact S is closed on the lapse of the interval. In the course of the intervals T1 and T2 the position of the control contact S is of no importance.

U - supply voltage; R - output state of the relay;
S - control contact state; T1, T2 - measured times; t - time axis

Additional functions

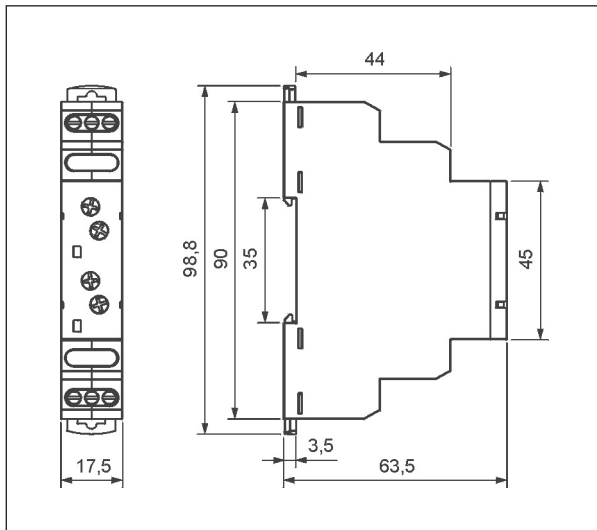
Supply diode: it is lit permanently when the time is not being measured. In course of the T1 time measurement, it flashes at 500 ms period where it is lit for 80% of the time, and off for 20% of the time. For the T2 time, the period is 250 ms.

Adjustment of the set values: the values of time and range are read in the course of the relay's operation. The set values may be modified at any moment.

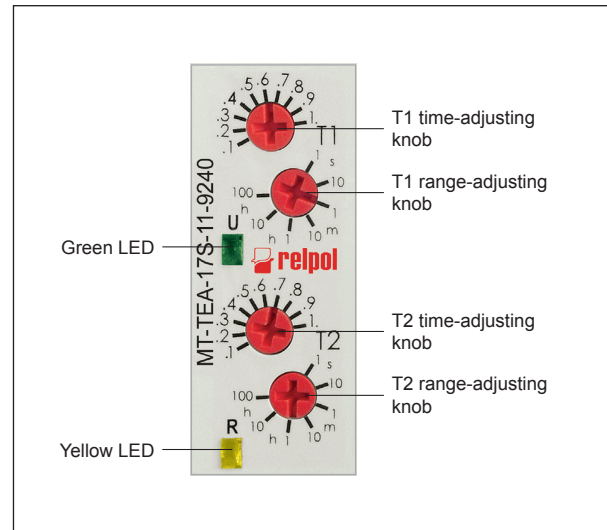
Release: the relay is released by connection of the S contact to the A1 line. For DC supply, the positive pole must be connected to the A1 line. The level of the S contact activation is adjusted automatically depending on the supply voltage.

Supply: the relay may be supplied with DC voltage or AC voltage 48...63 Hz of 10,8...250 V. A programmed control of the supply voltage has been applied so the processor shall not start operation if the voltage is lower than approximately 10 V. The supply voltage is permanently monitored in course of the operation of the relay. When the voltage drops below 9 V for more than 50 ms, the relay shall be reset. Owing to this, the regeneration time is programmed to 50 ms, and it does not depend on the tolerance of the elements.

Dimensions



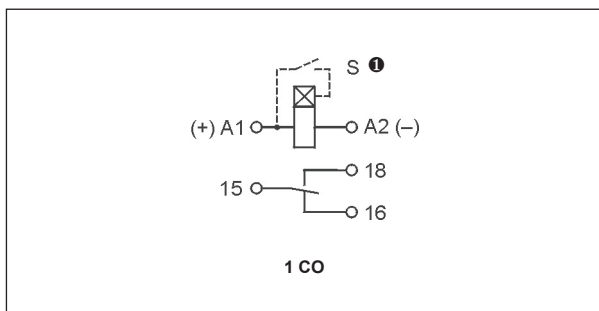
Front panel description



MT-TEA-...

time relays

Connection diagram



❶ The control terminal S is activated by connection to A1 terminal via the external control contact S.

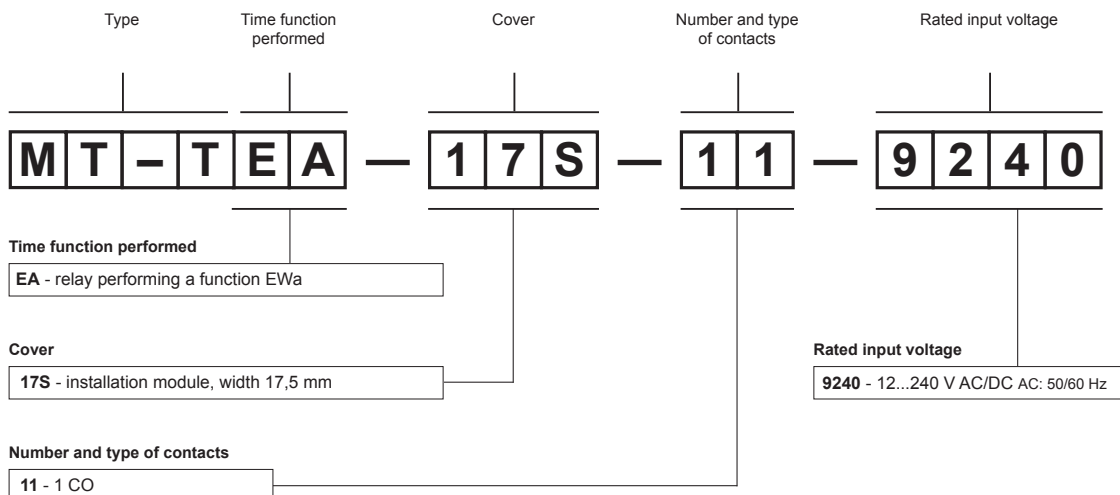
Mounting

Relays **MT-TEA-...** are designed for direct mounting on 35 mm rail mount acc. to PN-EN 60715. Operational position - any. **Connections:** max. cross section of the cables: 1 x 2,5 mm² / 2 x 1,5 mm² (1 x 14 / 2 x 16 AWG), length of the cable deinsulation: 6,5 mm, max. tightening moment for the terminal: 0,6 Nm.



Two taps:
easy assembly on 35 mm rail,
firm tapping (top and bottom).

Ordering codes



Example of ordering code:

MT-TEA-17S-11-9240

time relay **MT-TEA-...**, single-function (relay perform function EWa), cover - installation module, width 17,5 mm, one changeover contact, contact material AgNi, rated input voltage 12...240 V AC/DC AC: 50/60 Hz

PRECAUTIONS:

1. Ensure that the parameters of the product described in its specification provide a safety margin for the appropriate operation of the device or system and never use the product in circumstances which exceed the parameters of the product. 2. Never touch any live parts of the device. 3. Ensure that the product has been connected correctly. An incorrect connection may cause malfunction, excessive heating or risk of fire. 4. In case of any risk of any serious material loss or death or injuries of humans or animals, the devices or systems shall be designed so to equip them with double safety system to guarantee their reliable operation.