

1. Scope of Application

These specifications apply to chip type LED lamp, model CL-L270-2MU1L1-T.

2. Part code

C L - L 2 7 0 - 2 M U 1 L 1 - T

Series

L270 : White LED for general lighting.

Quantity of dies

2 : 2Dies.

Special specifications

M : General Color Rendering Index Typ.85 type.

Watt class

U1 : Under 1 watt package.

Lighting color

L1: Energy Star Correlated Color Temperature 3000(K)

Shipping mode

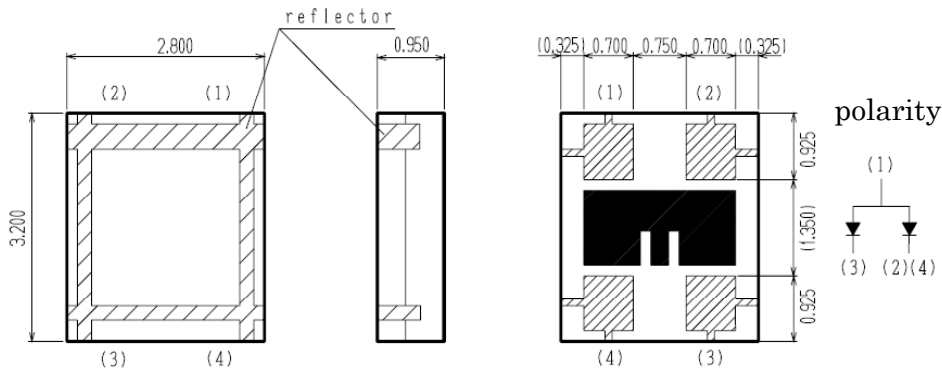
Non-coded : Bulk

T : Taping (standard)

Symbol	CITILED
Name	CL-L270-2MU1L1
CITIZEN ELECTRONICS CO.,LTD. JAPAN	

3. Outline drawing

Unit: mm
Tolerance: ±0.1



4. Performance

(1) Absolute Maximum Rating

Parameter	Symbol	Rating Value	Unit
Power Dissipation	P_D	296	mW
Forward Current	I_F	80	mA
Forward Pulse Current	I_{FP}	100	mA
Reverse Voltage	V_R	5	V
Operating Temperature	T_{op}	-30 ~ +85	C
Storage Temperature	T_{st}	-40 ~ +100	C
Junction Temperature	$T_{jMax.}$	120	C

*1 Forward Current : Duty \leq 1/10, Pulse width \leq 10 msec

*2 D.C. Current : $T_j = T_s + R_{j-s} \times P_D$

Pulse Current : $T_j = T_s + R_{j-s} \times P_W$ (Power Dissipation / One-Pulse) \times Duty

*Ts:Temperature of Solder terminal(4)

(2) Electro-optical Characteristic

($T_s=25C$)

Parameter	Symbol	Condition	Min.	Typ.	Max.	Unit
Forward Voltage	V_F	$I_F=60mA$	3.1	3.35	3.7	V
Reverse Current	I_R	$V_R=5V$	-	-	100	μA
Luminous Intensity	I_V	$I_F=60mA$	4.95	6.61	8.26	cd
Thermal resistance	R_{j-s}	junction-solder	-	76	-	C/W
Luminous Flux	ϕ_V	$I_F=60mA$		(16.7)		lm
General Color Rendering Index	R_a	$I_F=60mA$	80	85	-	-

*1 In accordance with NIST standard

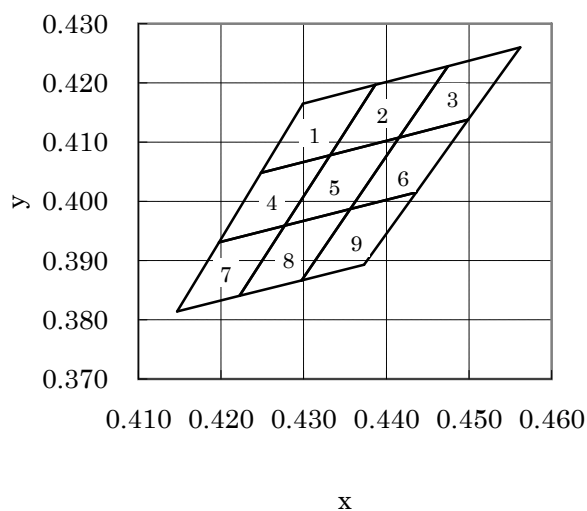
The values are based on 2-dies performance

Symbol	CITILED
Name	CL-L270-2MU1L1
CITIZEN ELECTRONICS CO.,LTD. JAPAN	

Chromaticity coordinates (Condition : IF=60mA , Ts=25C)

Color Rank	x	y
1	0.4299	0.4165
	0.4248	0.4048
	0.4332	0.4078
	0.4387	0.4197
2	0.4387	0.4197
	0.4332	0.4078
	0.4415	0.4108
	0.4474	0.4228
3	0.4474	0.4228
	0.4415	0.4108
	0.4499	0.4138
	0.4562	0.4260
4	0.4248	0.4048
	0.4198	0.3931
	0.4277	0.3959
	0.4332	0.4078
5	0.4332	0.4078
	0.4277	0.3959
	0.4357	0.3987
	0.4415	0.4108
6	0.4415	0.4108
	0.4357	0.3987
	0.4436	0.4015
	0.4499	0.4138

Color Rank	x	y
7	0.4198	0.3931
	0.4147	0.3814
	0.4222	0.3840
	0.4277	0.3959
8	0.4277	0.3959
	0.4222	0.3840
	0.4298	0.3867
	0.4357	0.3987
9	0.4357	0.3987
	0.4298	0.3867
	0.4373	0.3893
	0.4436	0.4015



Ranking(Condition:IF=60mA, Ts=25C)

Parameter	Symbol	Rank	Min.	Max.	Unit
Forward Voltage	V_F	Q	3.10	3.30	V
		R	3.30	3.50	
		S	3.50	3.70	
Luminous Intensity	I_v	B	4.95	6.11	cd
		C	6.11	7.10	
		D	7.10	8.26	

Note 1) The tolerance of forward voltage(V_F) measurement is $V_F \pm 3\%$ at our tester

Note 2) The tolerance of luminous Intensity(I_v) measurement is $\pm 10\%$ at our tester

Note 3) The tolerance of Chromaticity coordinates (x,y)measurement is ± 0.01 at our tester

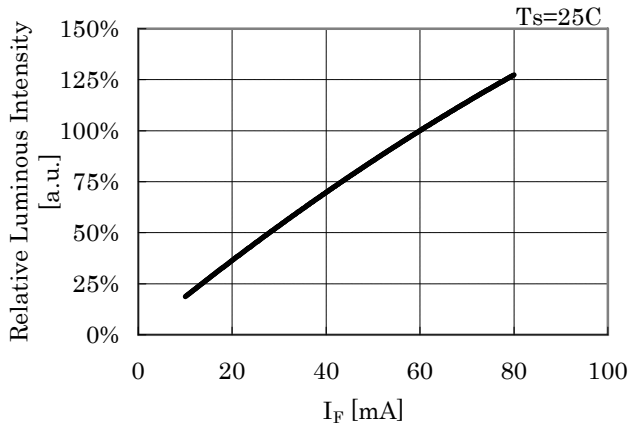
Measurement Conditions

- 1) Chip is mounted on board(size 100mm×40mm)
- 2) Board material is FR-4, covered with green color resist and thickness of copper is 18 μ m.

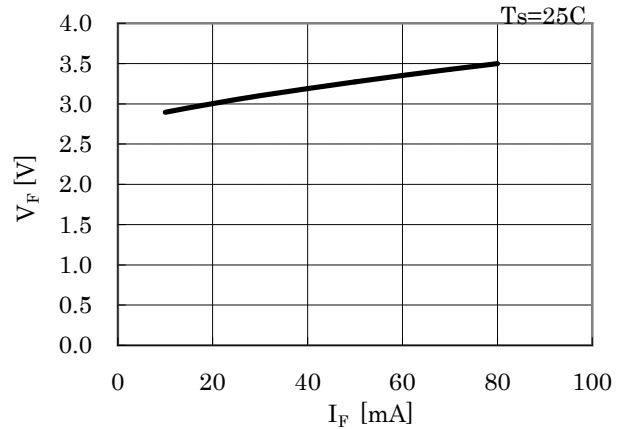
Symbol	CITILED
Name	CL-L270-2MU1L1
CITIZEN ELECTRONICS CO.,LTD. JAPAN	

5. Characteristic

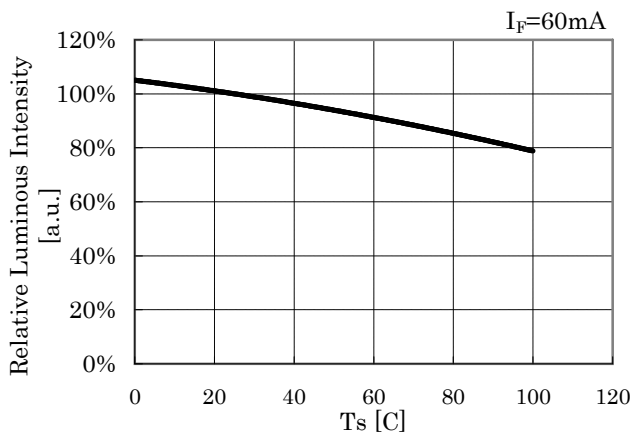
• Forward Current vs. Relative Luminous Intensity



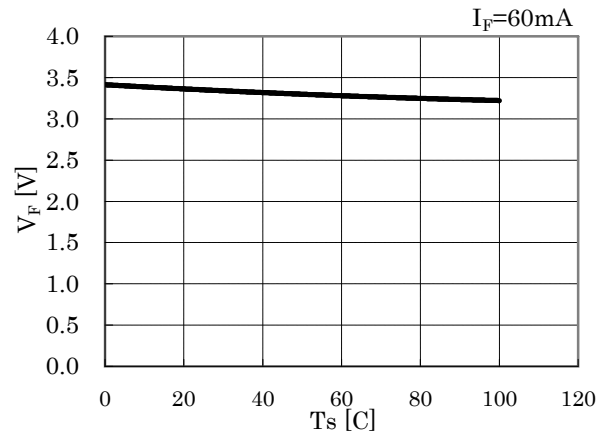
• Forward Current vs. Forward Voltage



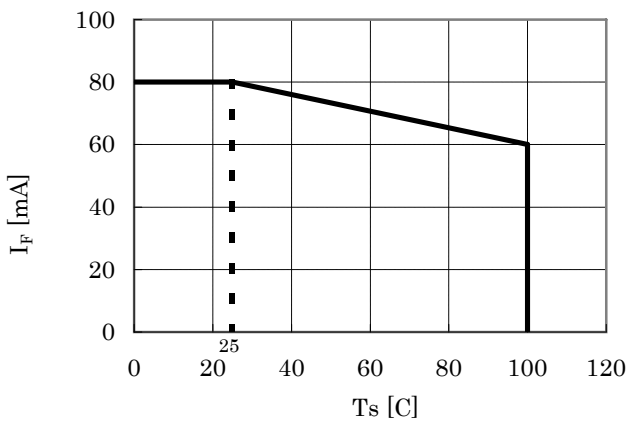
• Solder Temperature vs. Relative Luminous Intensity



• Solder Temperature vs. Forward Voltage



• Solder Temperature vs. Allowable Forward Current

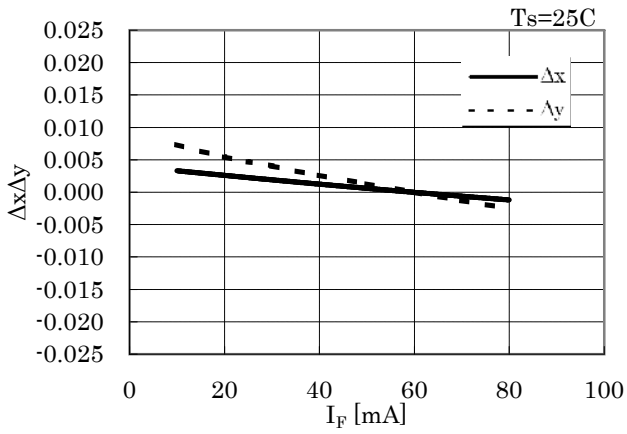


<Condition>
 Chip on board
 board size:100mm×40mm
 Materials:FR-4
 Thickness of Copper:18um

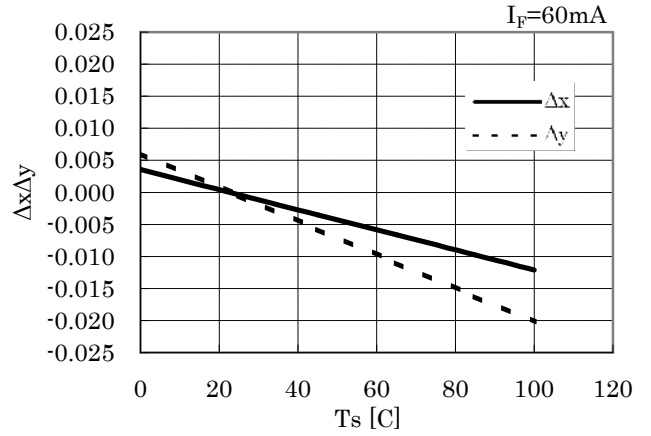
Symbol	CITLED
Name	CL-L270-2MU1L1
CITIZEN ELECTRONICS CO.,LTD. JAPAN	

5. Characteristic (2)

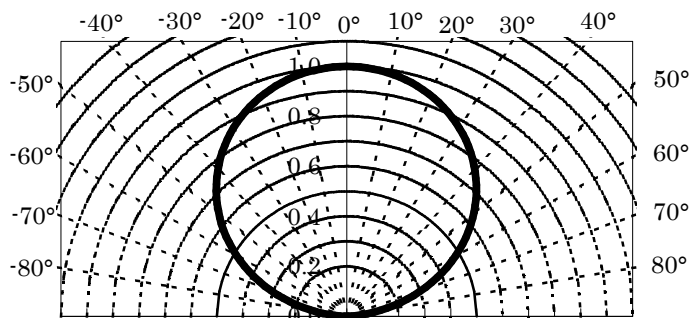
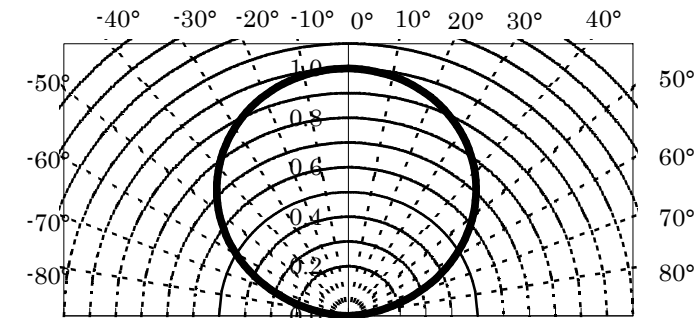
• Forward Current vs. Chromaticity Coordinate



• Solder Temperature vs. Chromaticity Coordinate



Directive Characteristic



Symbol	CITLED
Name	CL-L270-2MU1L1
CITIZEN ELECTRONICS CO.,LTD. JAPAN	

6. Reliability

(1) Details of the tests

Test Item	Test Condition
Life Test in Continuous Operation	Ta=25 C, IF=60 mA × 1000 hours
Low Temperature Storage Test	Ta=-40 C × 1000 hours
High Temperature Storage Test	Ta=100 C × 1000 hours
Moisture-proof Test	Ta=60 C, 90 %RH for 1000 hours
Thermal Shock Test	Ta=-40 C × 30 minutes and Ta=100 C × 30 minutes, 100cycle
Solder Heat Resistance Test	Recommended temperature profile (reflow soldering)× 2, (2nd test must be started after the samples are stabilized thermally.)

(2) Judgment Criteria of Failure for Reliability Test

Measuring Item	Symbol	Measuring Conditon	Judgement Criteria for Failure
Forward Voltage	V _F	I _F =60mA	> U×1.2
Reverse Current	I _R	V _F =5V	> U×2
Luminous Intensity	I _V	I _F =60mA	< S×0.7

U means the upper limit of the specified characteristics.

S means the initial value.

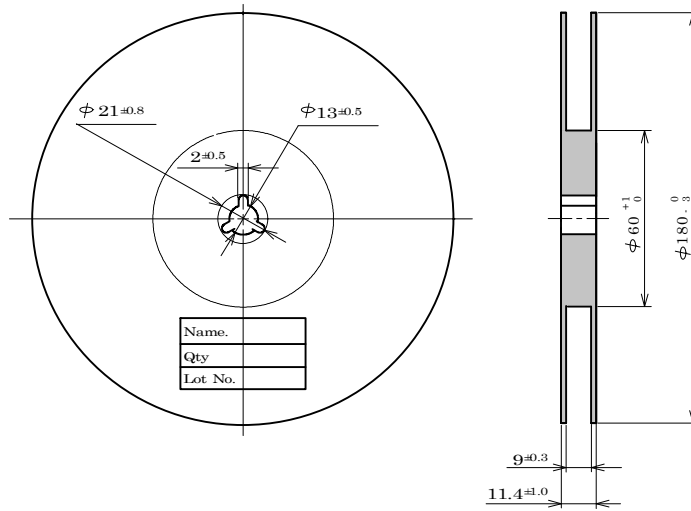
Note: Measurement shall be taken between 2 hours and 24 hours, having returned the test pieces to the normal ambient conditions after the completion of each test.

Symbol	CITILED
Name	CL-L270-2MU1L1
CITIZEN ELECTRONICS CO.,LTD. JAPAN	

7. Taping Specifications (in accordance with JIS standard)

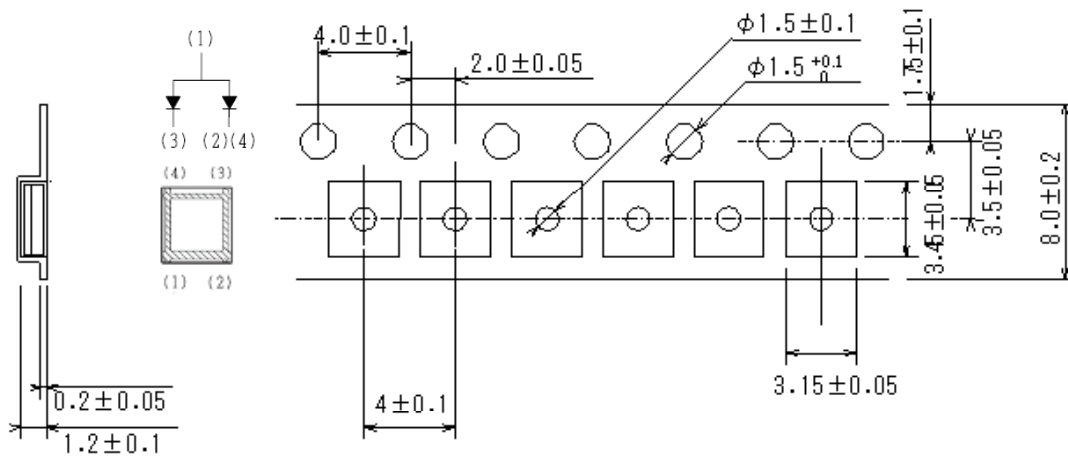
(1) Shape and Dimensions of Reel

(Unit: mm)

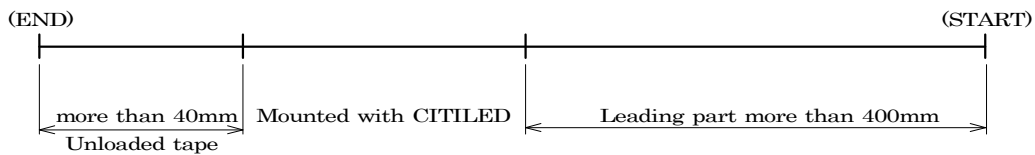


(2) Dimensions of Tape

(Unit: mm)



(3) Configuration of Tape



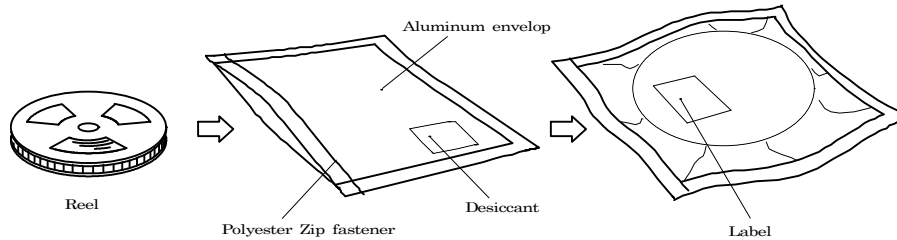
(4) Quantity: 3000pcs/reel

Symbol	CITLED
Name	CL-L270-2MU1L1
CITIZEN ELECTRONICS CO.,LTD. JAPAN	

8. Packing Specifications

8-1. Moisture-proof Packing

To prevent moisture absorption during transportation and storage, reels are packed in aluminum envelopes which contain a desiccant with a humidity indicator.



8-2. Storage

To prevent moisture absorption, it is strongly recommended that reels (in bulk or taped) should be stored in the dry box (or the desiccator) with a desiccant as the appropriate storage place. If not, the following is recommended.

Temperature: 5 ~ 30 C
 Humidity: 60%RH max

The devices should be mounted as soon as possible after unpacking. If you store the unpacked reels, please store them in the dry box or seal them into the envelop again.

Moisture Sensitive Level1 (IPC/JEDEC J-STD-020C)

Symbol	CITILED
Name	CL-L270-2MU1L1
CITIZEN ELECTRONICS CO.,LTD. JAPAN	

9. Precautions

9-1. Soldering

(1) Lead free soldering

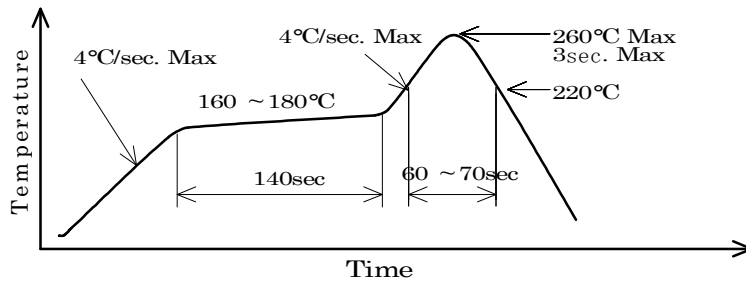
1) Following soldering paste is recommended

Melting temperature: 216 ~ 220 C.

Composition: Sn / 3.5Ag / 0.75Cu

2) The temperature profile at the top surface of the parts is recommended as shown below.

3) It is requested that products should be handled after their temperature has dropped down to the normal room temperature



9-2. Washing

(1) When washing after soldering is needed, following conditions are requested.

a) Washing solvent: Pure Water

b) Temperature, time: 50 C or less × 30 seconds max.
or 30 C or less × 3 minutes max.

c) Ultrasonic washing: 300W or less

9-3. Other directions

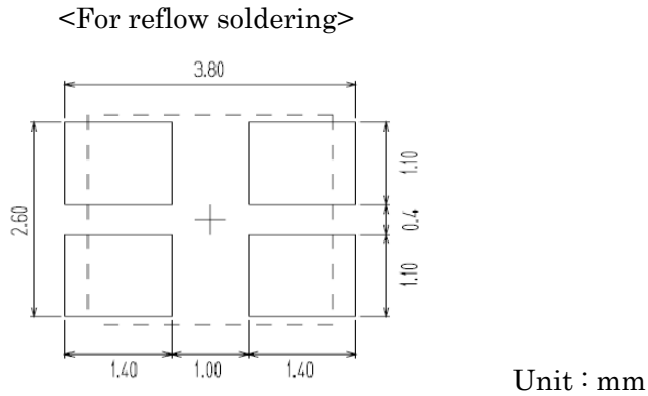
(1) It is requested to avoid any stress added to the resin portion while it is heated.

(2) It is requested to avoid any friction by sharp metal nail etc. to the resin portion.

Symbol	CITILED
Name	CL-L270-2MU1L1
CITIZEN ELECTRONICS CO.,LTD. JAPAN	

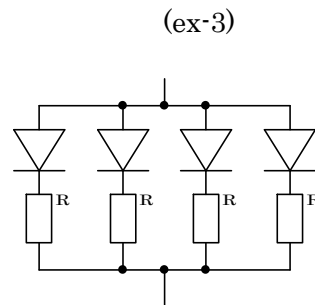
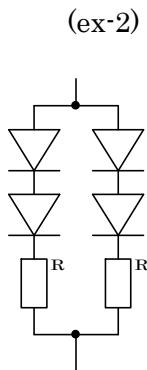
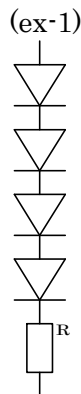
10. Designing precautions

- (1) The current limiting resistor should be placed in the circuit so that is driven within its rating. Also avoid reverse voltage (over-current) applied instantaneously when ON or OFF.
- (2) When pulse driving current is applied, average current consumption should be within the rating. Also avoid reverse voltage applied when put off.
- (3) Recommended soldering pattern



The above dimensions are not the one which guarantee the performance of mountability. The use of the above pattern is recommended to use after deep study at your site.

- (4) When assembling the circuit board into the finished products, care must be taken to avoid the component parts from touching other parts.
- (5) When using multiple LEDs, it is required to connect a current limiting resistor on each path which the current flows to the LEDs.



(6) Other

- 1) This product complies with RoHS directives.

Symbol	CITILED
Name	CL-L270-2MU1L1
CITIZEN ELECTRONICS CO.,LTD. JAPAN	