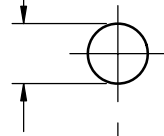
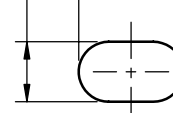


Ø .125 [3.2] / Ø .128 [3.3]

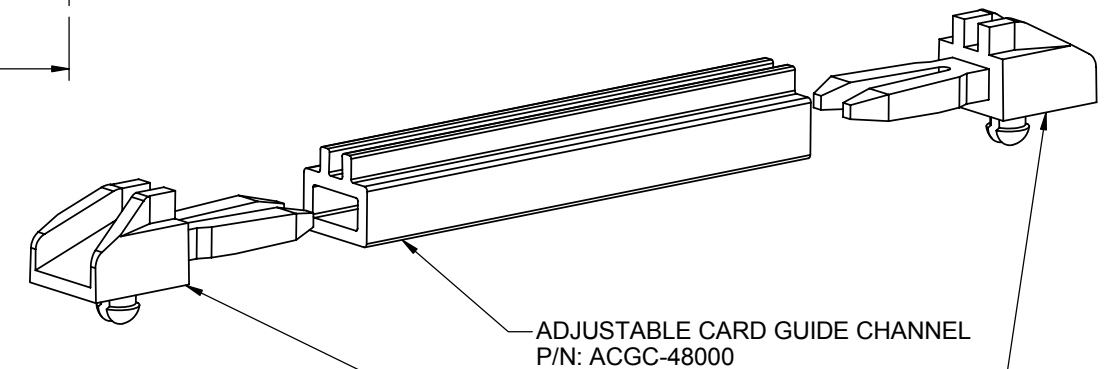
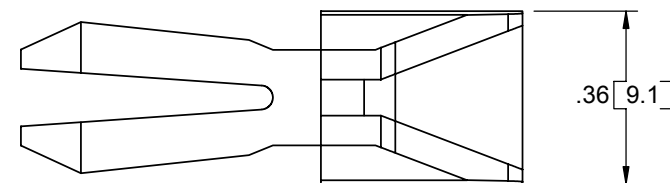


SECTION A-A
SCALE 2.5 : 1

.125 [3.2] / .128 [3.3] .22 [5.5]

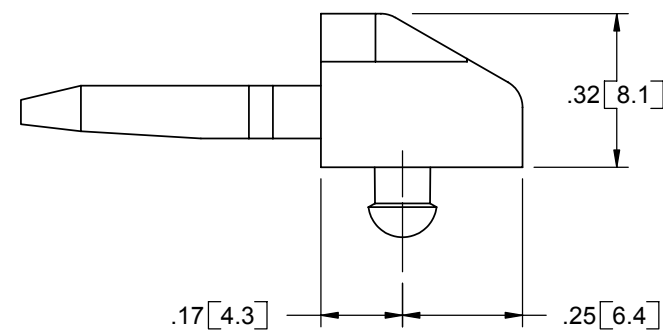


48.34 ± .50
[1227.8 ± 12.7]
MOUNTING HOLES

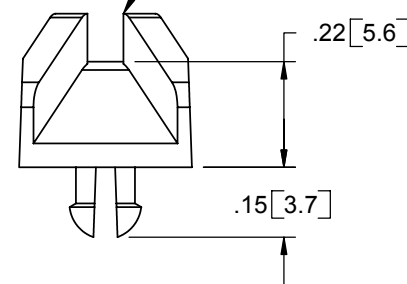


ADJUSTABLE CARD GUIDE CHANNEL
P/N: ACGC-48000

ADJUSTABLE CARD GUIDE END
P/N: ACGE-01

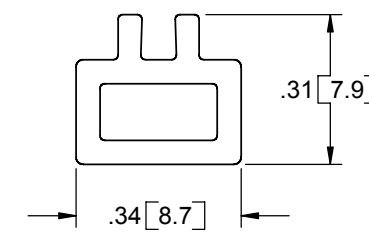


ACCEPTS 1/16 [1.6]
THICK BOARD



P/N: ACGE-01

1. MATERIAL: NYLON 6/6 (RMS-01)
2. COLOR: NATURAL.



P/N: ACGC-48000

1. MATERIAL: PVC (RMS-04)
2. COLOR: NATURAL.

NOTES:
1. PART NO. ACGC-48000 CAN BE CUT TO ANY LENGTH BY SPECIAL ORDER.
EXAMPLE: IF MOUNTING HOLES DISTANCE IS 5.00 [127.0], SUBTRACT .34 [8.6] FROM IT.
THEN YOUR CHANNEL LENGTH IS 4.66 [118.4].

TITLE: ADJUSTABLE CARD GUIDE				DWG IN IN [MM]		FINAL	
CREATED USING SOLIDWORKS	FILE #: ACGC-ACGE	DWN: P.B.	APP: -	PART #		PRINT TYPE	
TOLERANCES UNLESS NOTED .XX=±.010 .XXX=±.005 FRAC.=±1/64 ANG.=±1°	SHEET: 1 OF 1	SHEET SIZE: B	DT: 01/16/95	CHKD: -	SEE DRAWING	CA	
	RE: RICHCO, INC.	RICHCO, INC. ENG@RICHCO-INC.COM (773) 539-4060					

REV.	DESCRIPTION	ENGR.	DATE
D	SEE ECN #1018 FOR CHANGES	SK	06/14/05
C	SEE ECN #800 FOR CHANGES	SM	06/14/04
B	P/N WAS ACGC-04 AND FILE # WAS 03060	SM	11.15.00
A	CONVERTED TO ACAD	PB	01.16.95