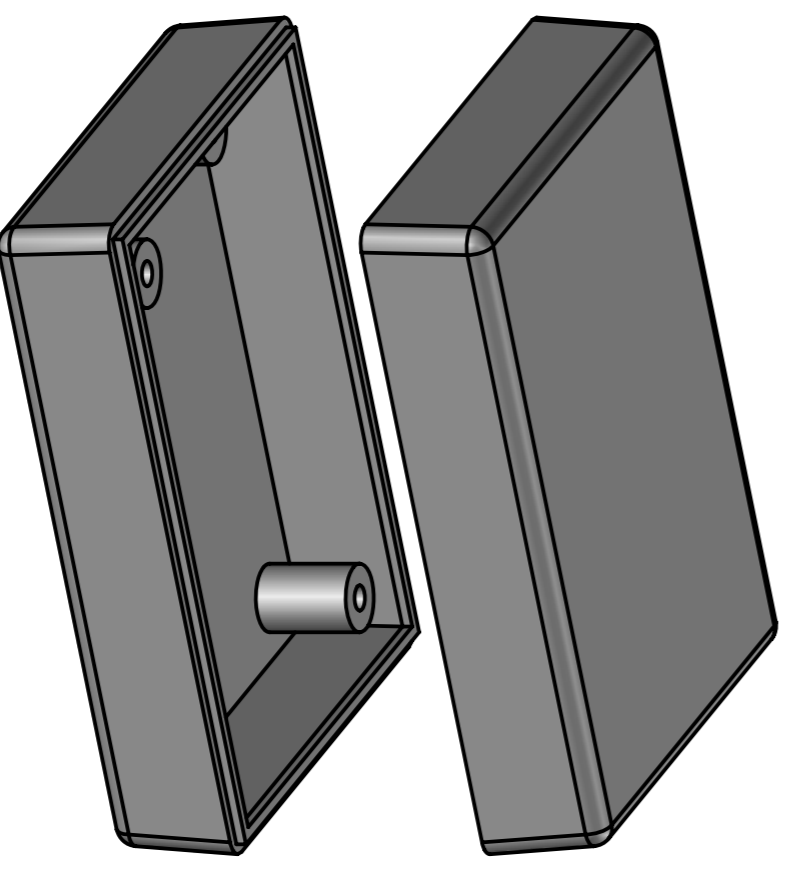
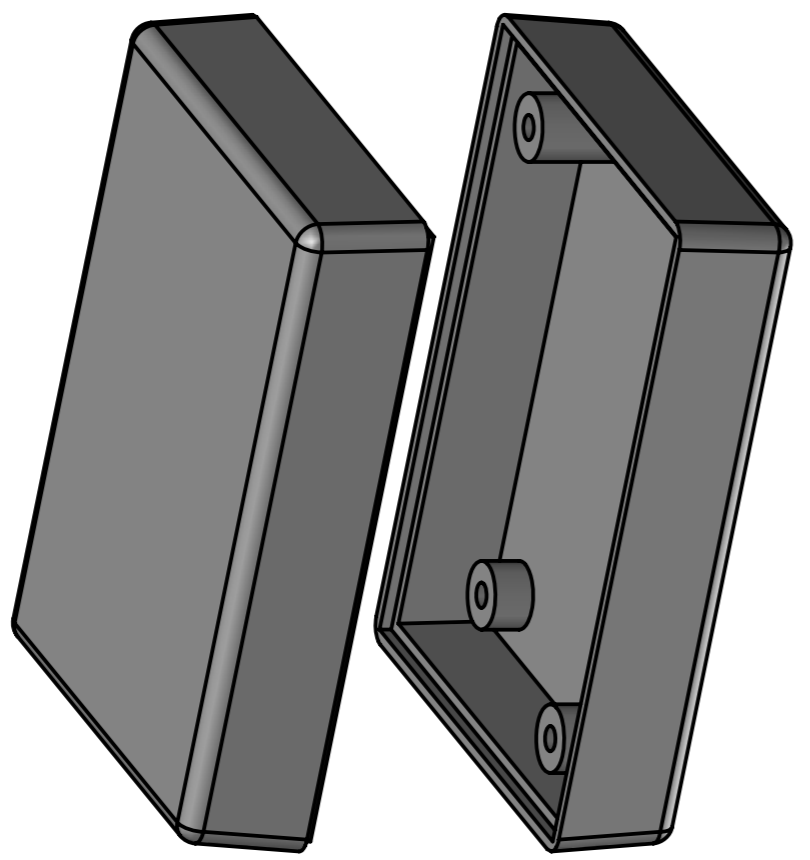
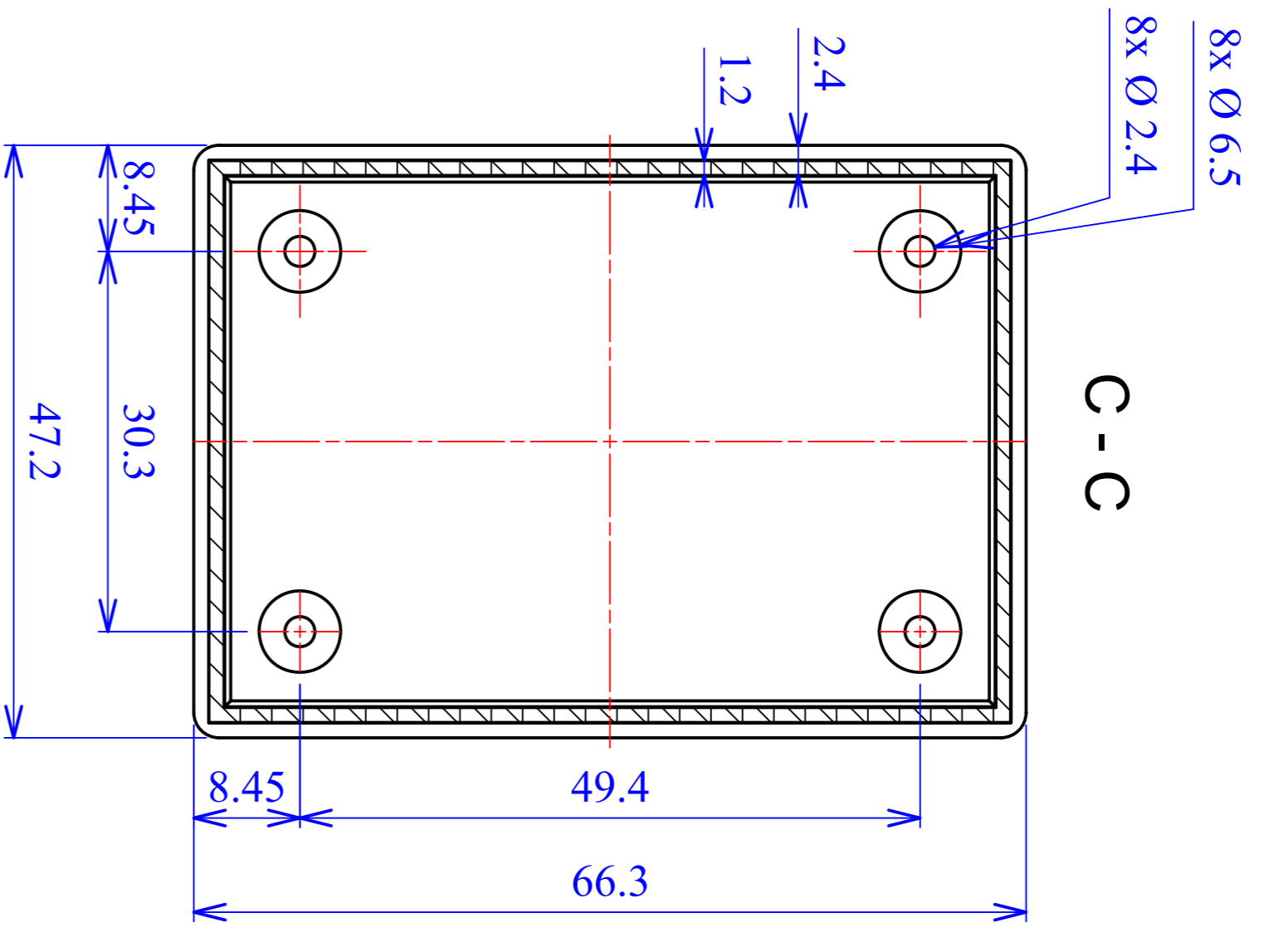
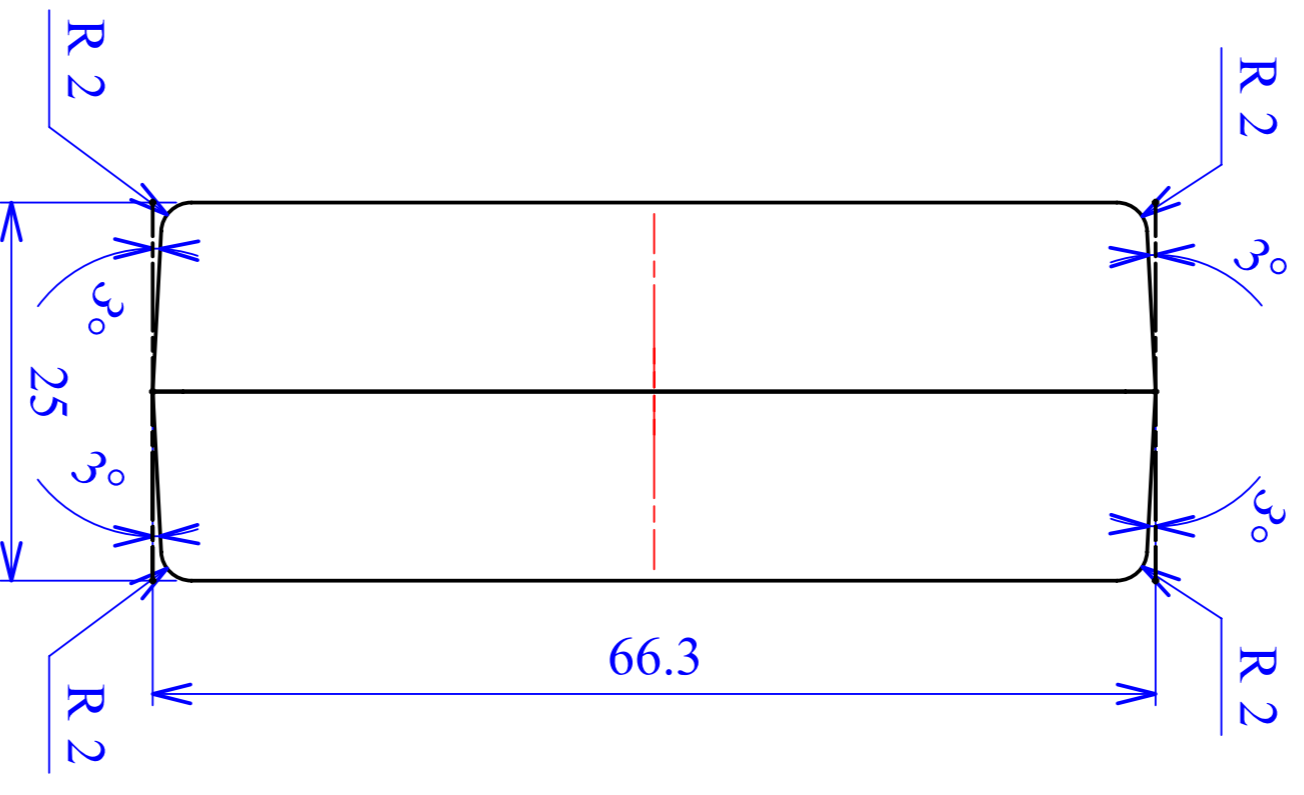
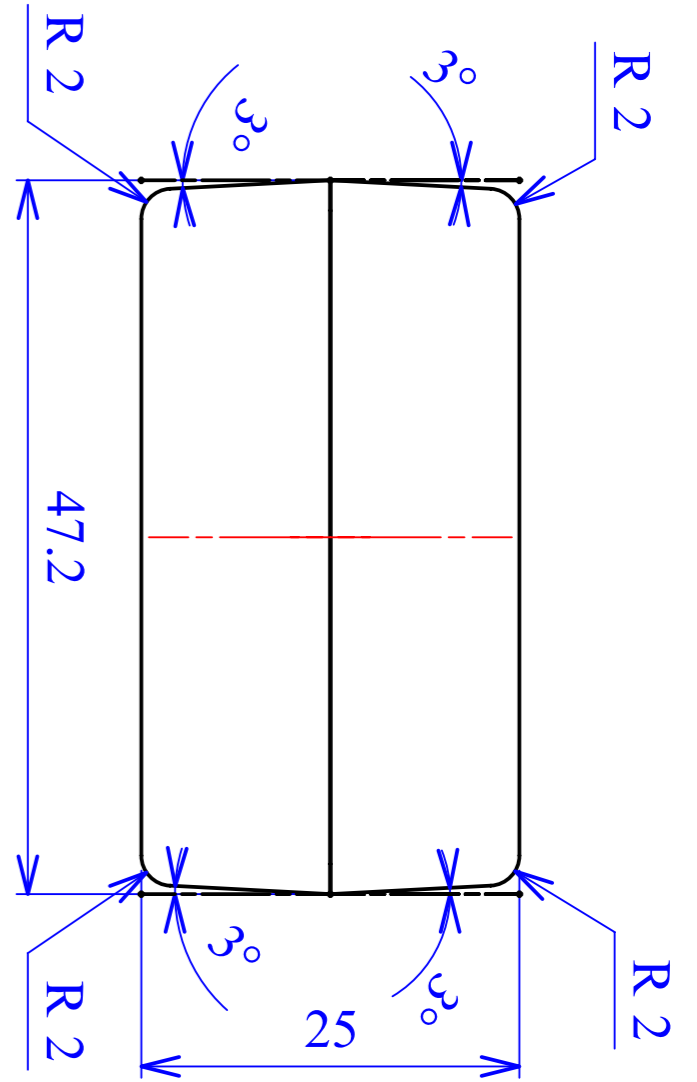
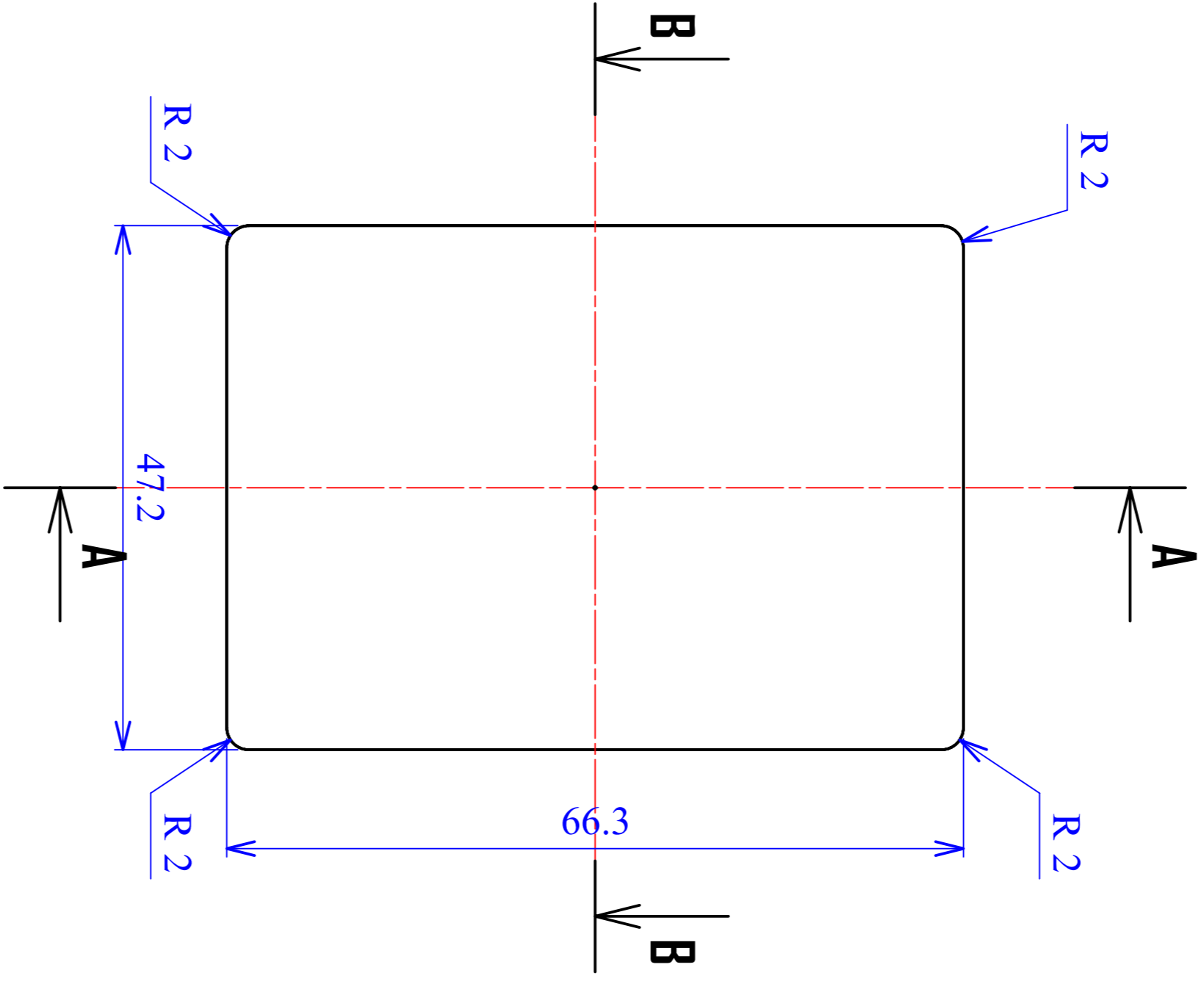
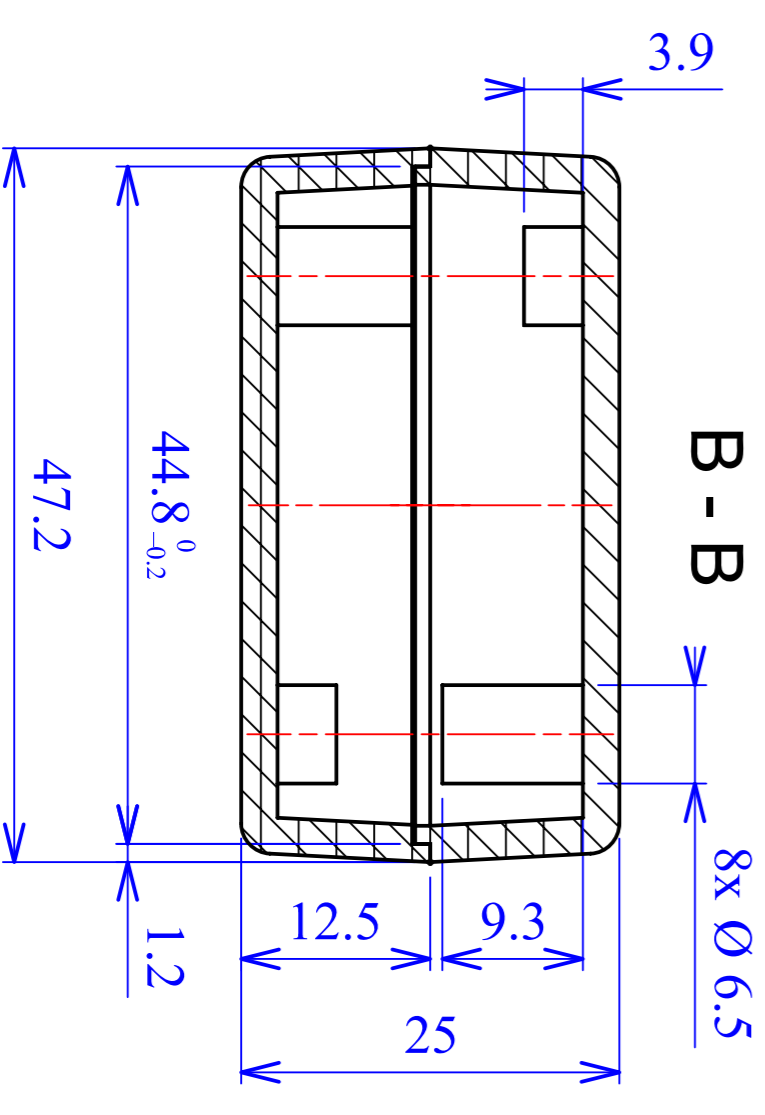
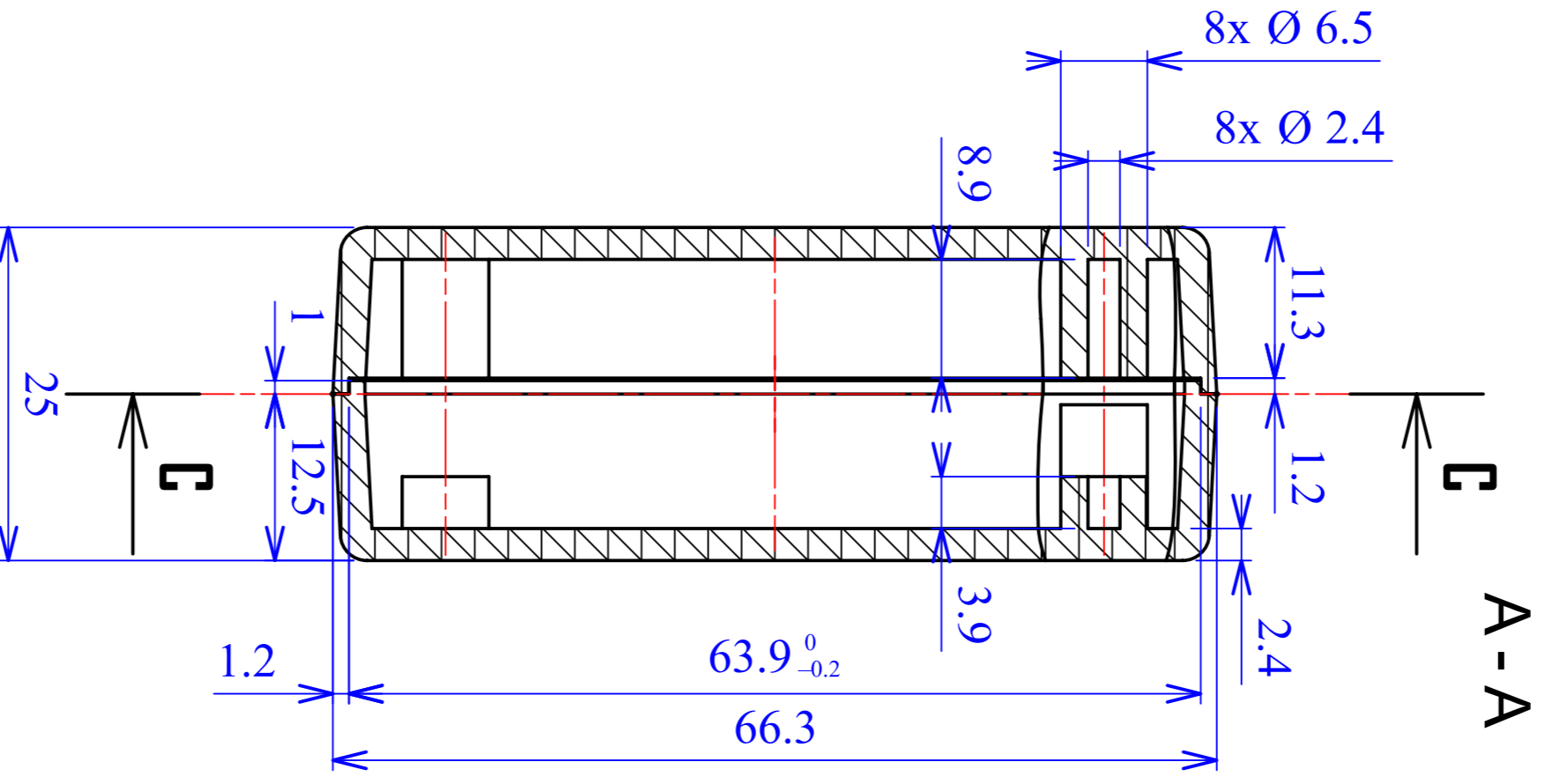


H G H H H H D C B A



1

2

3

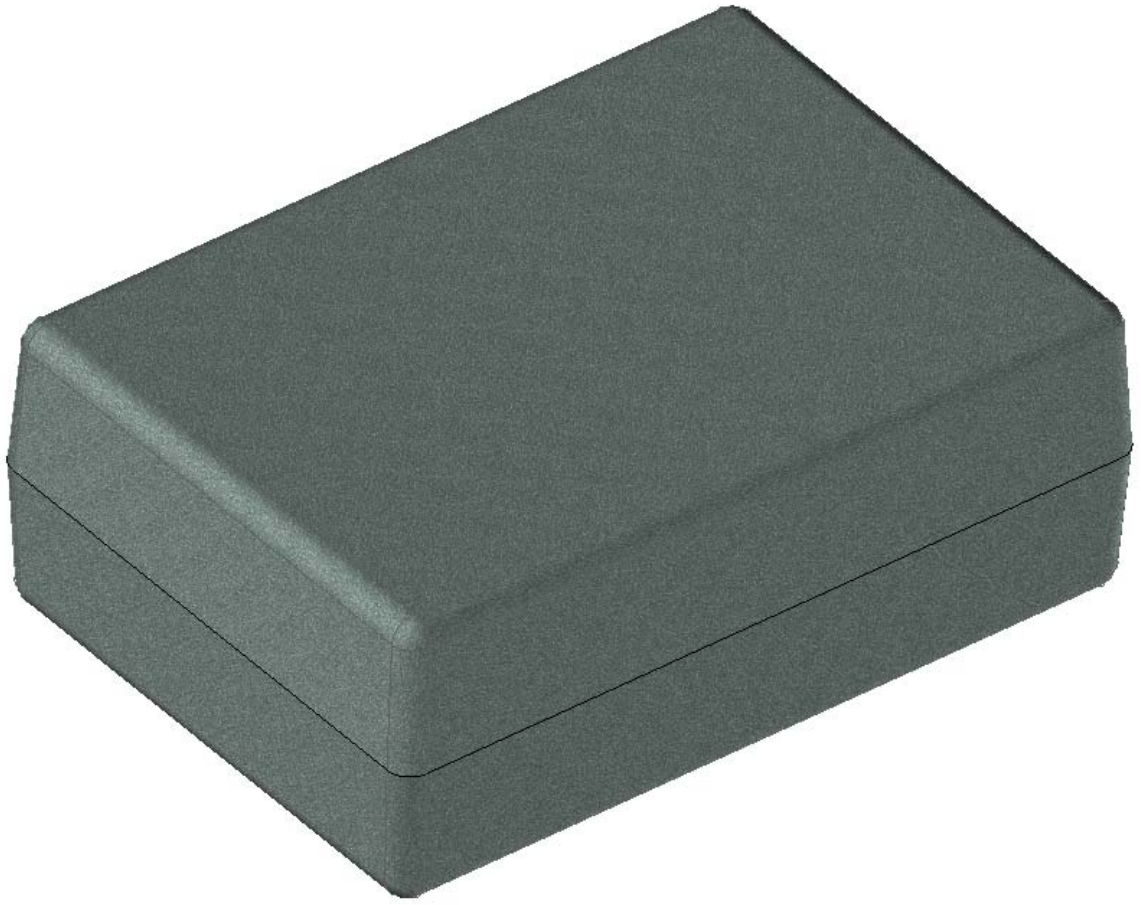
4

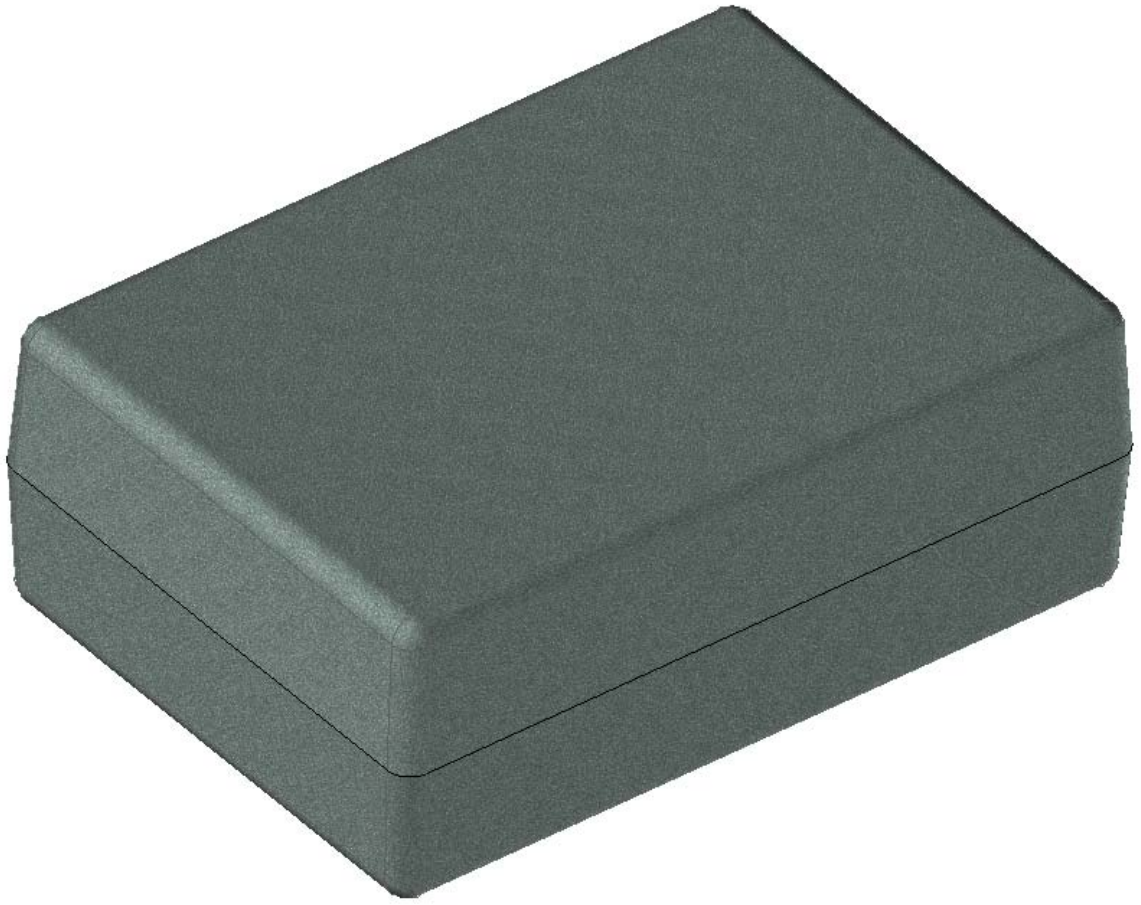
1

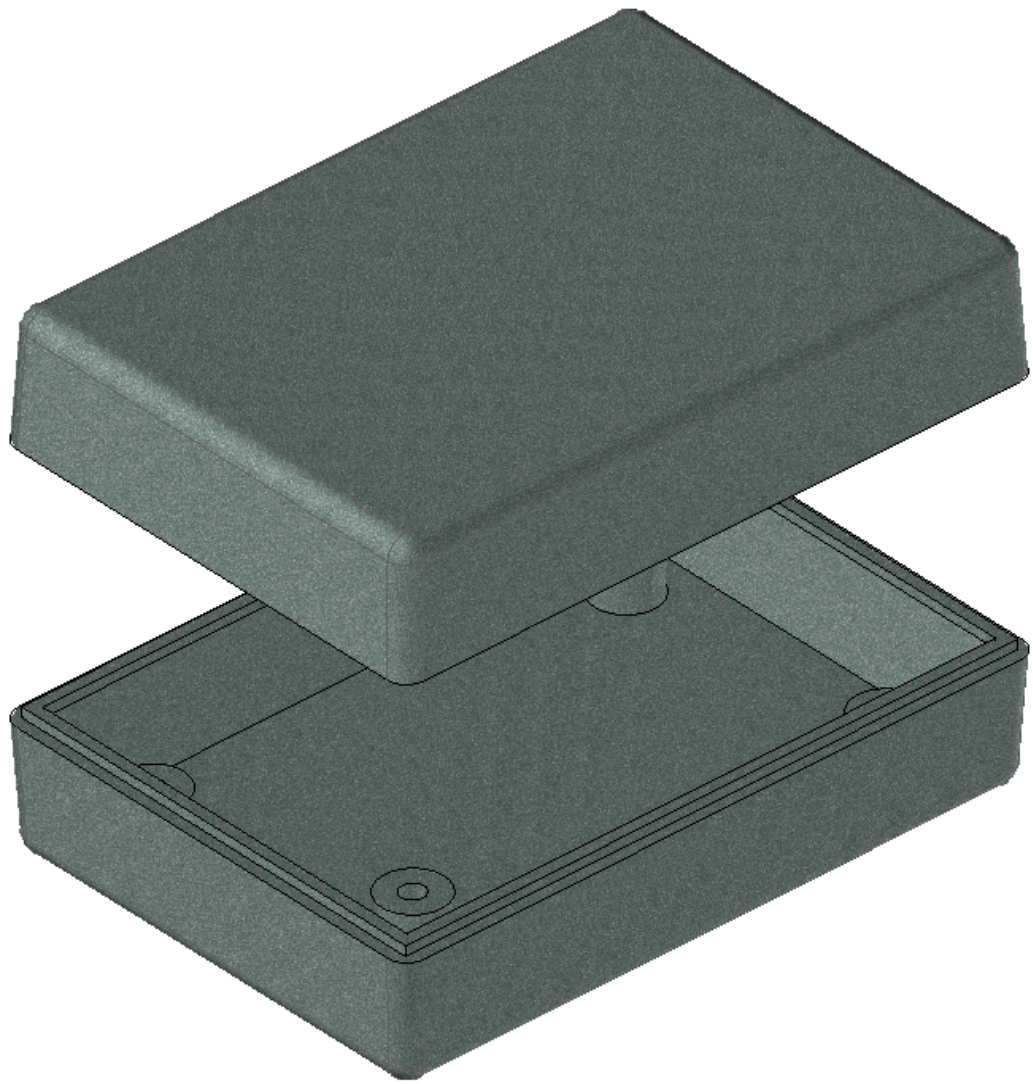
2

3

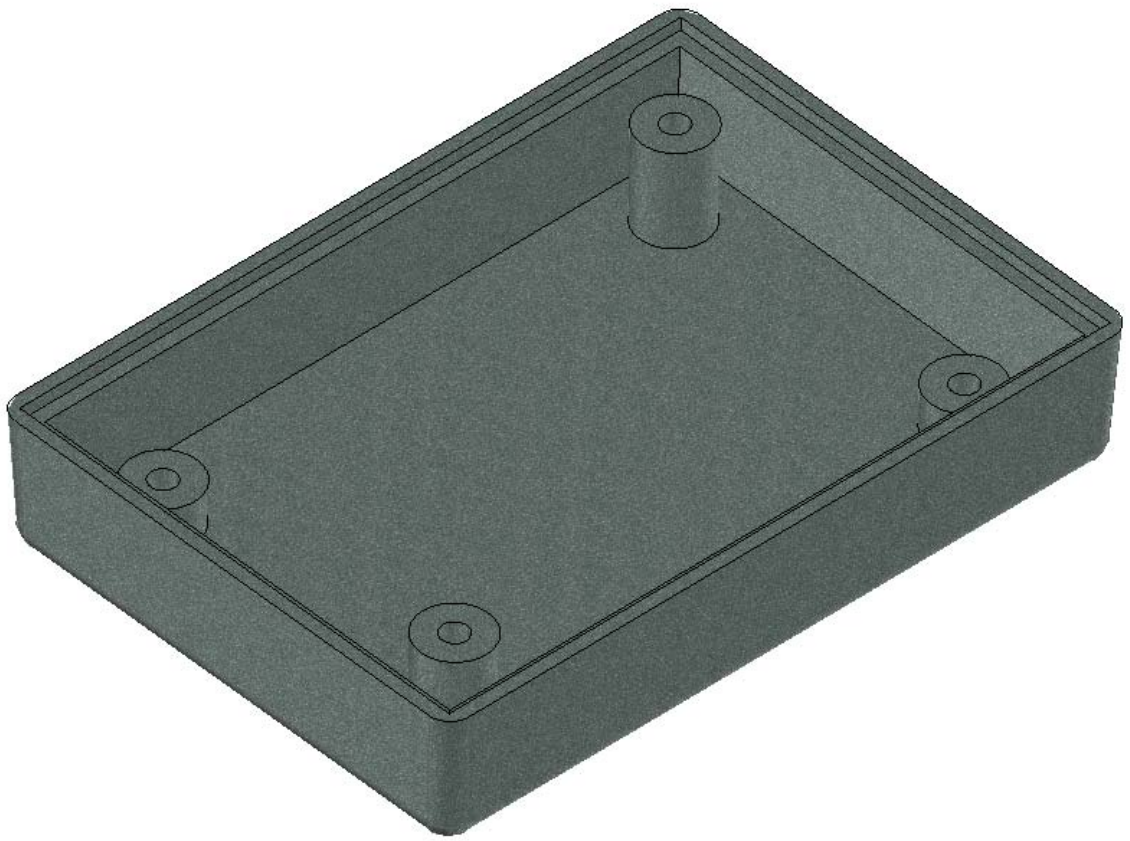
4

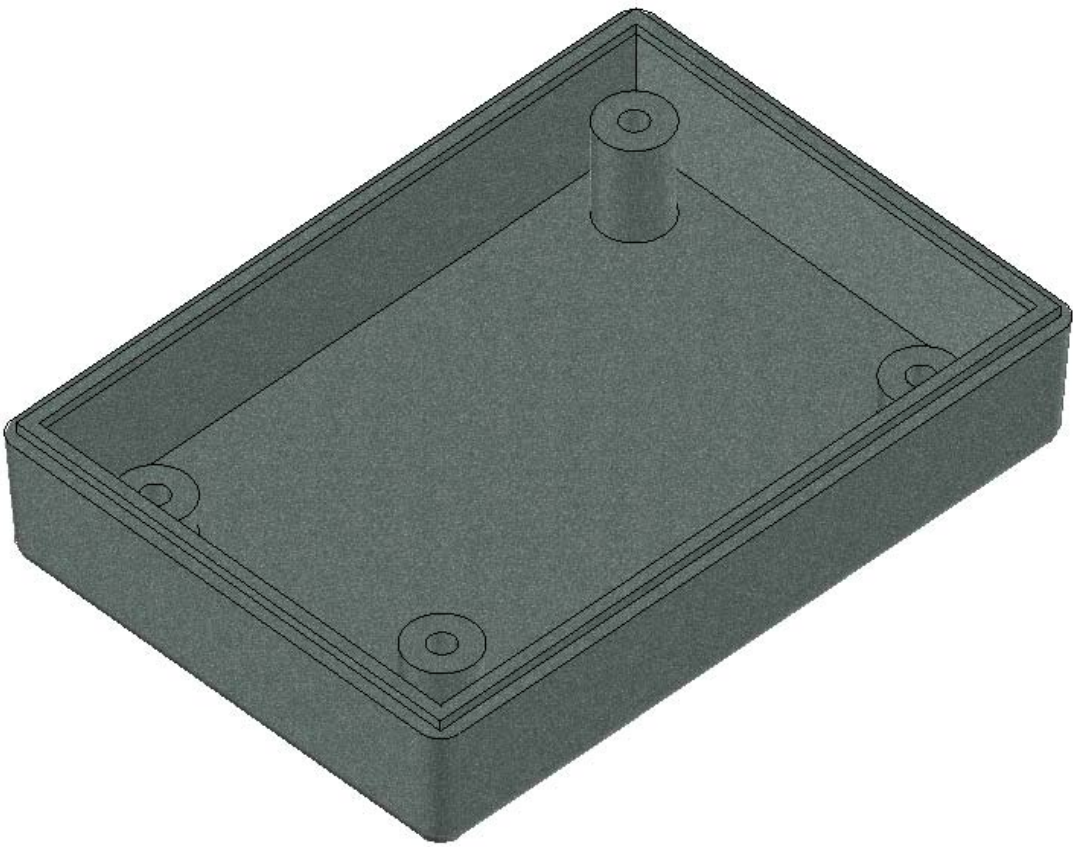


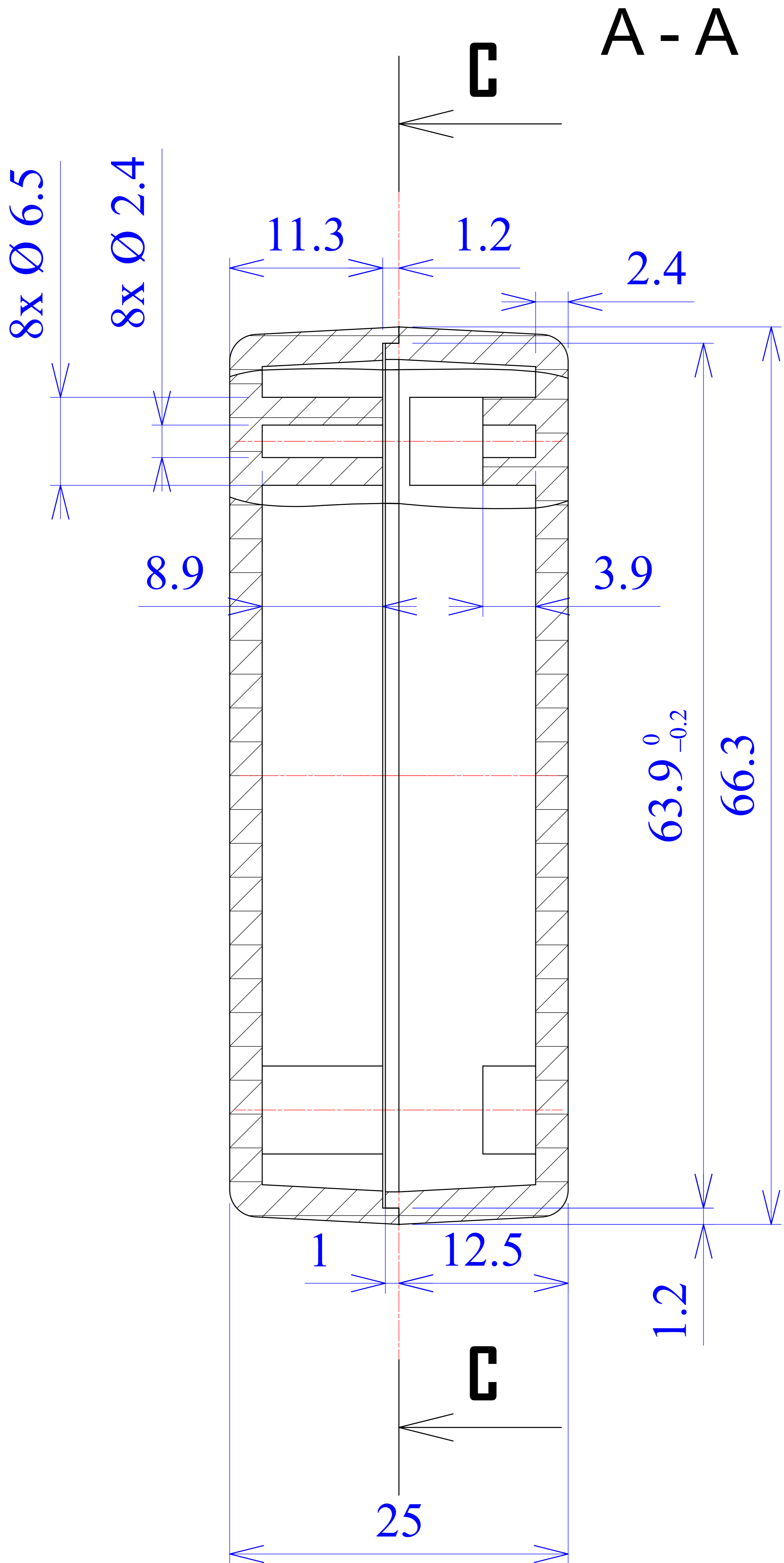




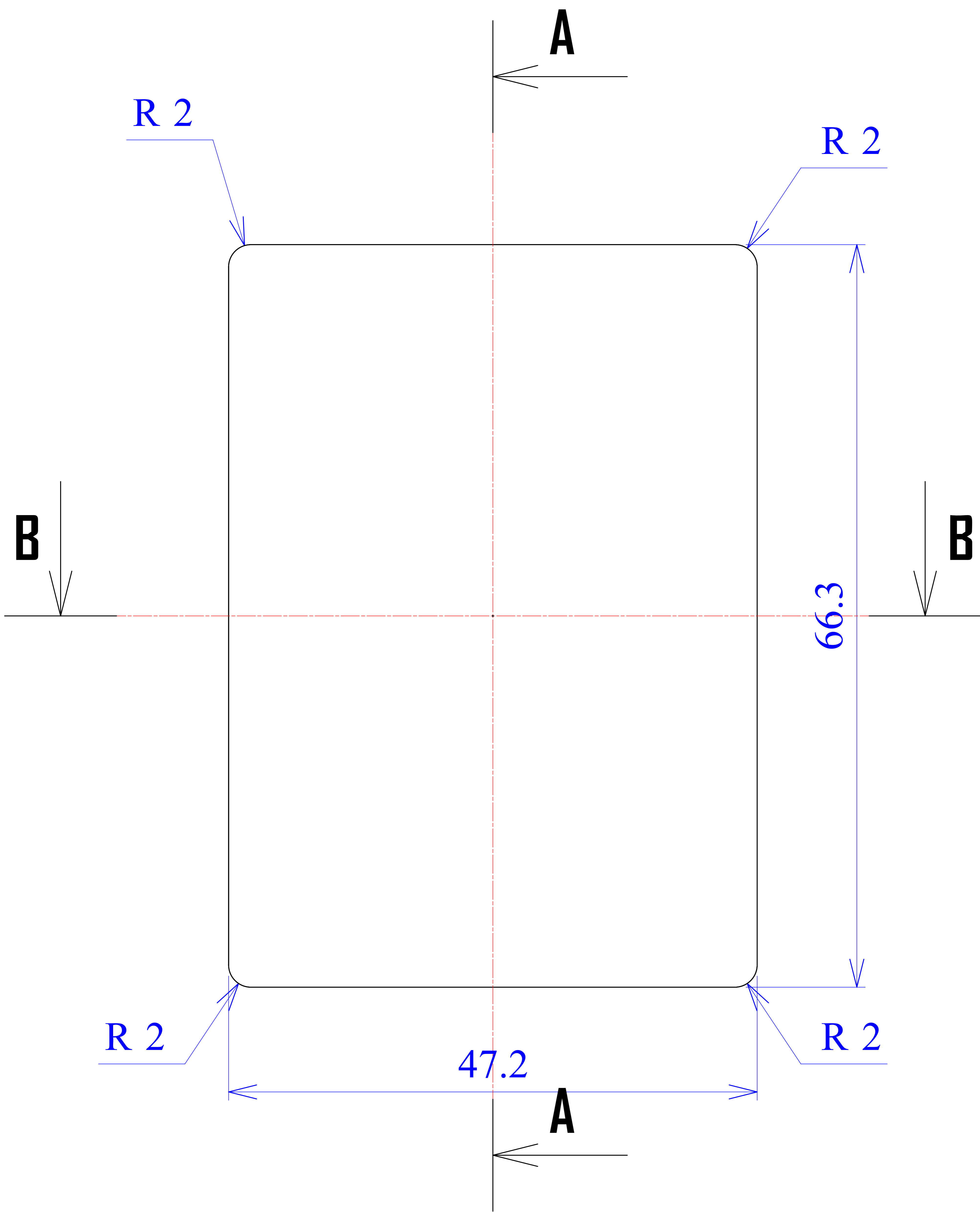


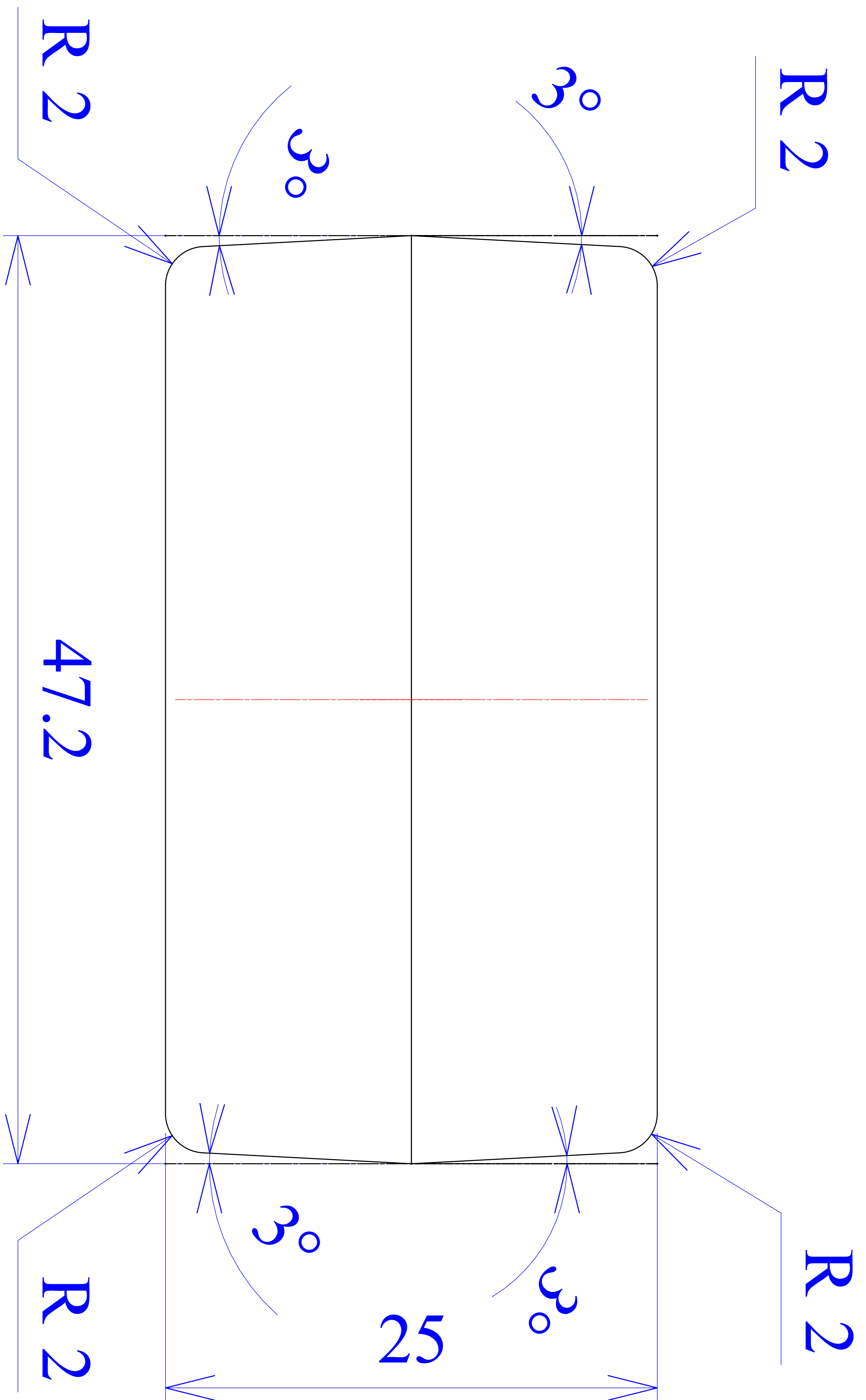


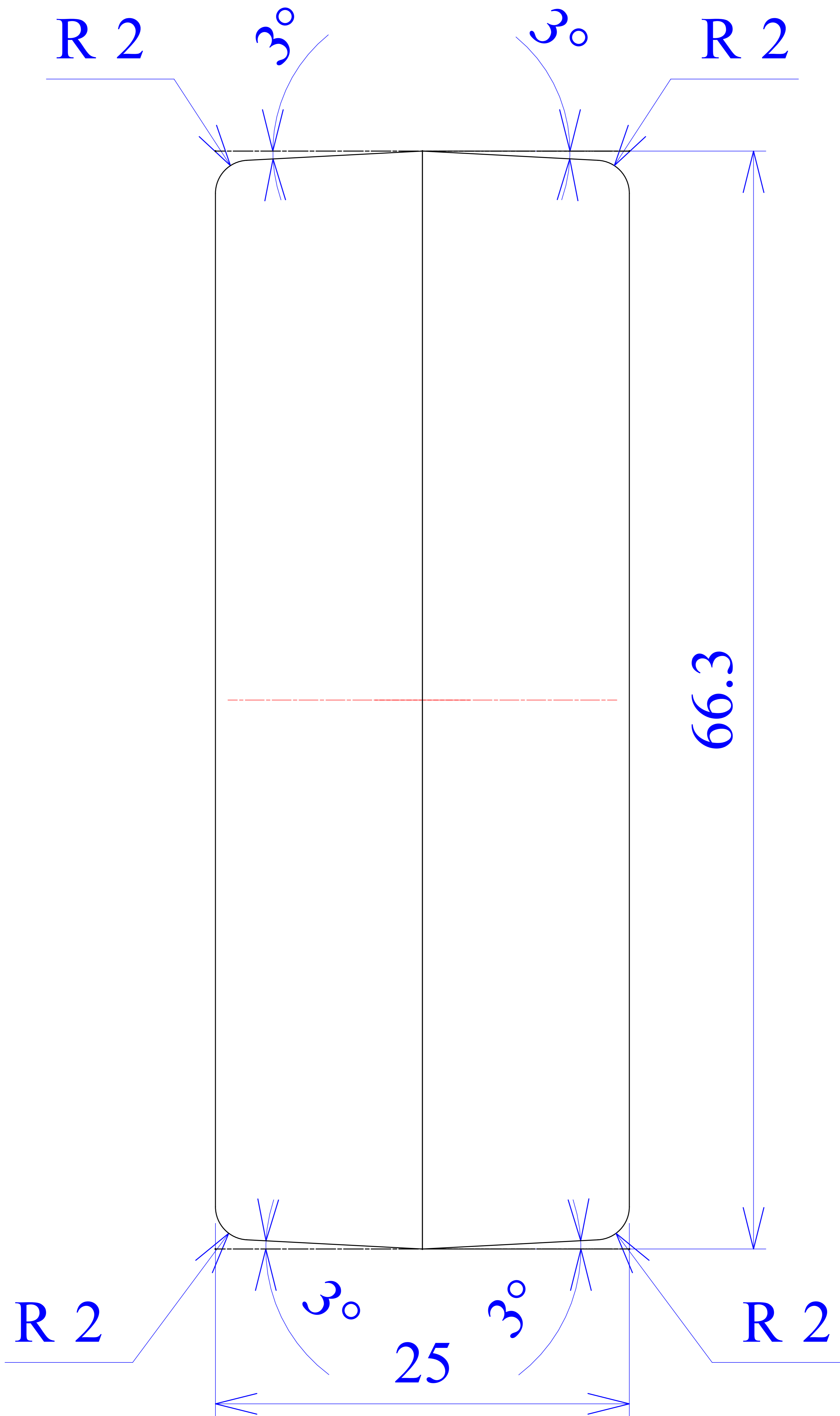












8x Ø 6.5

8x Ø 2.4

C - C

2.4

1.2

49.4

66.3

8.45

30.3

8.45

47.2

