



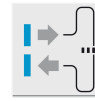
Wzmacniacze światłowodowe WLL170-2, Fiber-optic photoelectric sensor

WLL170-2P132



Nazwa modelu > **WLL170-2P132**

Numer cz ci > **6029511**



At a glance

- Rapid response time (50 μ s)
- Switching threshold adjustment via potentiometer, or teach-in via button or cable
- Four different teach-in modes
- Simple installation
- Red or green LED emitter

Your benefits

- Reliable, rapid process detection
- Low installation costs due to short commissioning time
- Flexible teach-in modes allow the sensor to be customized according to the specific application
- Emitted light ideal for color or contrast detection
- Easy programming via simple potentiometer and switch adjustment



Cechy

Wymiary (Szer. x Wys. x Głęb.):	10,5 mm x 35,5 mm x 83,7 mm
Maks. strefa działania:	0 mm ... 4.000 mm, through-beam system ¹⁾
Sensing range:::	0 mm ... ²⁾ 160,4 mm, proximity system, 0 mm ... 700 mm, through-beam system ⁵⁾
Nadajnik światła:	LED ⁵⁾
Rodzaj światła:	Widzialne światło czerwone
Długość fali:	660 nm
Nastawienie czułości:	Potentiometer, 10-turn ⁶⁾
Typ czasu:	Off-delayed
Czas opóźnienia:	Selectable by sliding switch: \geq 40 ms
Indication:	LED
Zasada działania czujnika/Sposób detekcji:	Fiber-optic photoelectric sensor
Kąt promieniowania:	Ca. 65°
Housing design (light emission):	Prostopadłościenna

¹⁾ LL3-TB02 and tip adapter LL3-TA01 ²⁾ Objects to be sensed with 90% reflectivity (based on DIN 5033 white standard), sensing distance depends on fiber-optic cable ³⁾ LL3-DK06 ⁴⁾ LL3-TB01 ⁵⁾ Average service life 100,000 h at Ta = +25 °C ⁶⁾ Scale 270°

Mechanika/elektronika

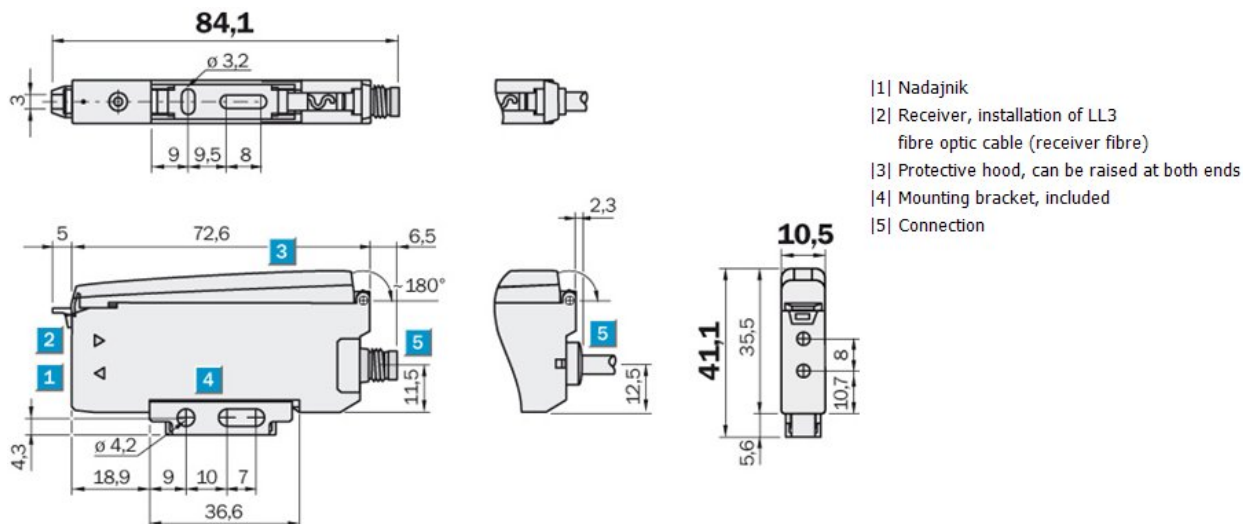
Enclosure rating:	IP 66 ¹⁾
Napięcie zasilania:	10 V DC ... 30 V DC ²⁾

Tętnienia resztkowe:	10 % ³⁾
Current consumption:	≤ 30 mA ⁴⁾
Wyjście przełączające:	PNP, przełączanie jasno/ciemno, wybierane, selectable via light/dark selector, open collector
Output current I _{max} .:	≤ 100 mA
Czas reakcji:	≤ 0,25 ms ⁵⁾
Switching frequency:	2.000 Hz ⁶⁾
Sposób przyłączenia:	Cable, 3-wire, 2 m ⁷⁾
Cable material:	PVC
Conductor cross-section:	0,2 mm ²
Klasa ochronności:	III
Układ zabezpieczenia:::	A, B, C, D ^{8) 9) 10) 11)}
Tworzywo, obudowa:	ABS/PC
Ambient operating temperature:	-25 °C ... 55 °C
Ambient storage temperature:	-40 °C ... 70 °C
Cable diameter:	3,8 mm
UL File-No.:	UL No. NRNT2.E128350 & cUL No. NRNT8.E128350

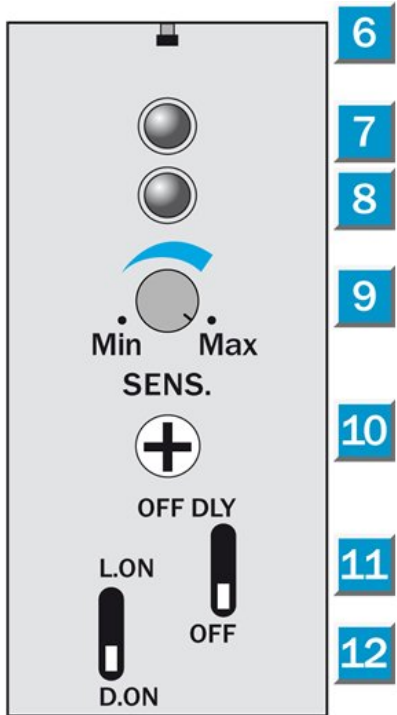
See LL3 fiber-optic data;

1) With correctly attached fibre-optic cable LL3 and closed protection hood 2) Limit values 3) May not exceed or fall short of V ⁴⁾ Without load ⁵⁾ Signal transit time with resistive load ⁶⁾ With light/dark ratio 1:1 ⁷⁾ Do not bend below 0 °C ⁸⁾ A = V_S connections reverse-polarity protected ⁹⁾ S = inputs and output reverse-polarity protected ¹⁰⁾ C = interference suppression ¹¹⁾ D = outputs overcurrent and short-circuit protected

Dimensional drawing

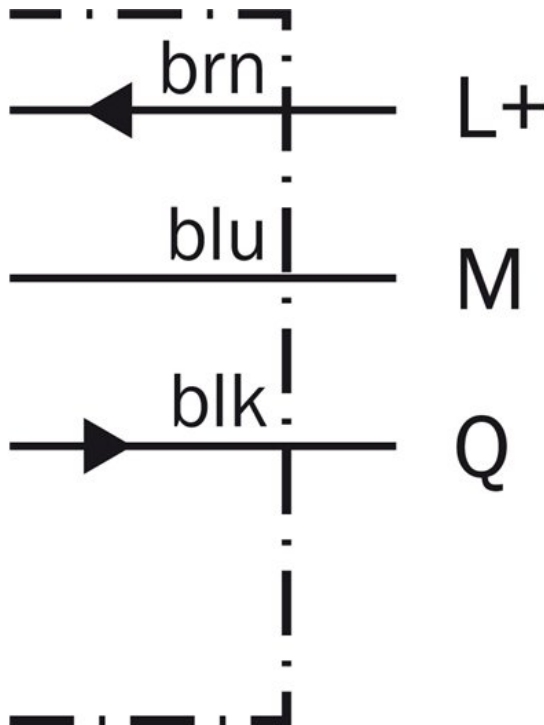


Adjustments possible

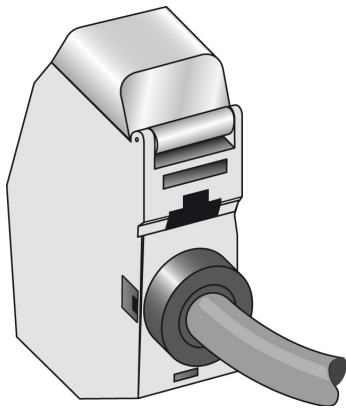


- [6] Indication of correct fibre-optic cable mounting
- [7] LED indicator orange, lights up when switching output is active
- [8] LED signal strength indicator green, lights up, when light received < 0.9 or > 1.1 (switching threshold = 1)
- [9] Sensitivity scale 270°
- [10] Sensitivity control (10 revolutions)
- [11] L.ON/ d.ON selection switch. "OFF DLY" (on) / "OFF", 40 ms fixed
- [12] Selector switch: "L.ON" (light-switching) / "D.ON" (dark-switching)

Connection diagram



Connection type



Australia

Phone +61 3 9457 0600
1800 334 802 – tollfree
E-Mail sales@sick.com.au

Belgium/Luxembourg

Phone +32 (0)2 466 55 66
E-Mail info@sick.be

Brasil

Phone +55 11 3215-4900
E-Mail sac@sick.com.br

Canada

Phone +1 905 771 14 44
E-Mail information@sick.com

Ceská Republika

Phone +420 2 57 91 18 50
E-Mail sick@sick.cz

China

Phone +86 4000 121 000
E-Mail info.china@sick.net.cn
Phone +852-2153 6300
E-Mail ghk@sick.com.hk

Danmark

Phone +45 45 82 64 00
E-Mail sick@sick.dk

Deutschland

Phone +49 211 5301-301
E-Mail kundenservice@sick.de

España

Phone +34 93 480 31 00
E-Mail info@sick.es

France

Phone +33 1 64 62 35 00
E-Mail info@sick.fr

Great Britain

Phone +44 (0)1727 831121
E-Mail info@sick.co.uk

India

Phone +91-22-4033 8333
E-Mail info@sick-india.com

Israel

Phone +972-4-6801000
E-Mail info@sick-sensors.com

Italia

Phone +39 02 27 43 41
E-Mail info@sick.it

Japan

Phone +81 (0)3 3358 1341
E-Mail support@sick.jp

Magyarország

Phone +36 1 371 2680
E-Mail office@sick.hu

Nederlands

Phone +31 (0)30 229 25 44
E-Mail info@sick.nl

Norge

Phone +47 67 81 50 00
E-Mail austefjord@sick.no

Österreich

Phone +43 (0)22 36 62 28 8-0
E-Mail office@sick.at

Polska

Phone +48 22 837 40 50
E-Mail info@sick.pl

România

Phone +40 356 171 120
E-Mail office@sick.ro

Russia

Phone +7-495-775-05-30
E-Mail info@sick.ru

Schweiz

Phone +41 41 619 29 39
E-Mail contact@sick.ch

Singapore

Phone +65 6744 3732
E-Mail admin@sicksgp.com.sg

Slovenija

Phone +386 (0)1-47 69 990
E-Mail office@sick.si

South Africa

Phone +27 11 472 3733
E-Mail info@sickautomation.co.za

South Korea

Phone +82 2 786 6321/4
E-Mail info@sickkorea.net

Suomi

Phone +358-9-25 15 800
E-Mail sick@sick.fi

Sverige

Phone +46 10 110 10 00
E-Mail info@sick.se

Taiwan

Phone +886-2-2375-6288
E-Mail sales@sick.com.tw

Türkiye

Phone +90 (216) 528 50 00
E-Mail info@sick.com.tr

United Arab Emirates

Phone +971 (0) 4 8865 878
E-Mail info@sick.ae

USA/México

Phone +1(952) 941-6780
1 800-325-7425 – tollfree
E-Mail info@sickusa.com

More representatives and agencies
at www.sick.com