



Art No. WL0145

## Wireless N 150Mbps USB Adapter

The WL0145 is a highly integrated MAC/BBP and 2.4GHz RF/PA/LNA single chip with 150Mbps PHY rate supporting. It fully complies with IEEE802.11n and IEEE802.11b/g feature rich wireless connectivity at high standards, delivers reliable, cost-effective, throughput form an extended distance. The WL0145 is designed to support standard based features in the areas of security, quality of service and international regulation, giving end users the greatest performance anytime in any circumstance. The very small and compact WLAN adapter design is good for wireless connectivity when an external antenna needs.

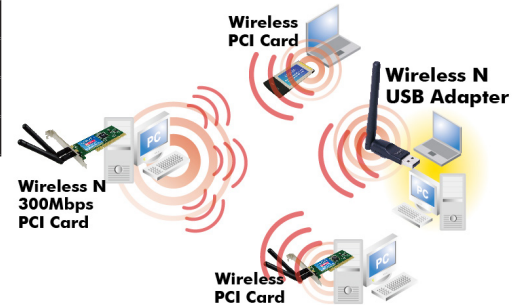
### Feature:

- Chipset: Ralink RT5370
- With 2dBi undetachable antenna
- Complies with IEEE802.11b/g/n standards
- Supports 64/128-bit WEP, WPA, WPA2, WPA-PSK and WPA2-PSK Encryption
- High transfer data rate – up to 150Mbps
- Supports WiFi Protection Setup (WPS)
- Supports USB 2.0/1.1 interface
- Supports Windows 2000/XP/Vista/7/8, Linux 2.6.x and MAC OS



### Software and System Information

Operation System	CPU Supplier
Linux 2.4/2.6	ARM, MIPSII
Windows 2000/XP/Vista/7	X86 Platform
Mac OS X 10.3/10.4/10.5/10.6	N/A



\* The specifications and pictures are subject to change without notice.  
\*All trade names referenced are the registered network of their respective owners.



RoHS compliant



Made in China



**Art No. WL0145**

## Wireless N 150Mbps USB Adapter

### Specification:

<b>Hardware</b>	
Main Chipset	Ralink RT5370
Host interface	USB 2.0/1.1 Type A
LED	Link/Activity
<b>RF Performance</b>	
Standards	IEEE802.11b/g & 802.11n (1T1R mode, 150Mbps)
Antenna	2dBi undetachable antenna
Operation Frequency	2412~2483.5 MHz (varies according to different regions).
Typical Tx Power (E.R.I.P)	802.11b (CCK)11Mbps: 19±1dBm; 802.11g (OFDM) 54Mbps: 16±1dBm
Receive Sensitivity	802.11n (HT20@MCS7), 15±1dBm; 802.11n (HT40@MCS7), 15±1dBm
	802.11b: -86±1dBm; 802.11g: -74±1dBm
	802.11n (HT20), -70±1dBm; 802.11n (HT40), -70±1dBm
<b>Software Support</b>	
Operation System	Windows 2000/XP/Vista/7/8; Linux 2.6.X; Mac OS X
Security	WEP 64/128bit, WPA, WPA2, 802.1x, and 802.11i, Cisco CCS Compliant
<b>Operation conditions</b>	
Voltage Range/Current	DC 5.0V ± 5% < 160mA
Temperature	Operation: -10°C ~ 60°C Storage: -20°C ~ 70°C
Humidity(Non-Condensing)	Operation: RH 95% Storage: RH 95%
<b>Physical Specification</b>	
Dimensions	(Main body) 16.4x14.7x58 mm
Net Weight	9.8g

\* The specifications and pictures are subject to change without notice.  
\*All trade names referenced are the registered network of their respective owners.



RoHS compliant



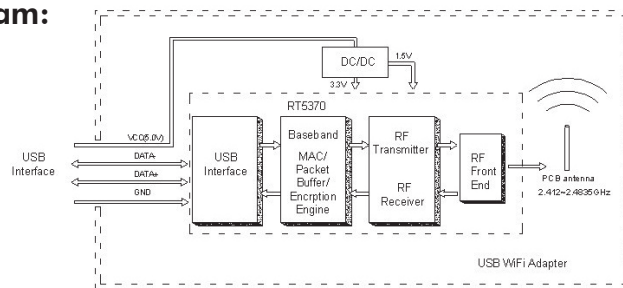
Made in China



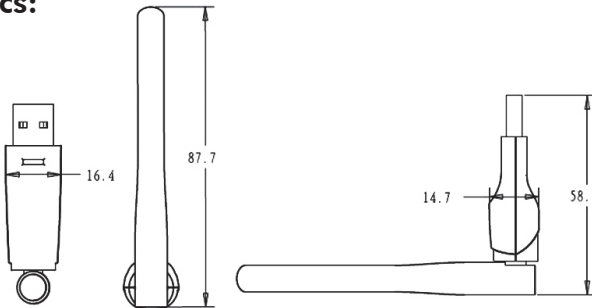
Art No. WL0145

## Wireless N 150Mbps USB Adapter

### System Block Diagram:



### Physical Characteristics:



### Package Contents:

- 1 x Wireless N USB Adapter
- 1 x Quick Installation Guide
- 1 x CD (Driver + Utility + Manual)

### Packaging Information:

- Packaging Dimension: 100x165x26 mm
- Packing weight: 0.05kgs
- Carton Dimension: 438x335x375 mm
- Carton qty: 200pcs
- Carton weight: 11.5kgs



\* The specifications and pictures are subject to change without notice.  
\*All trade names referenced are the registered network of their respective owners.



RoHS  
compliant



WL0145

4 052792 001419

Made in China