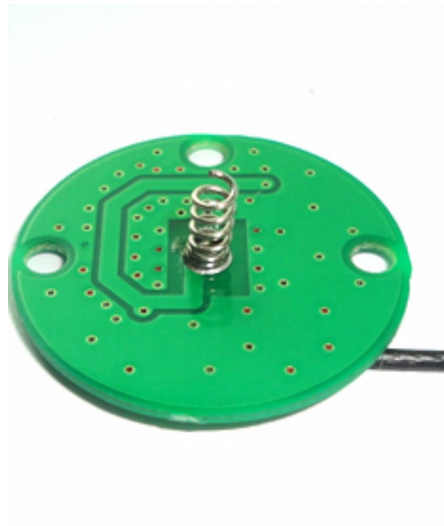


## WiFi Antenna

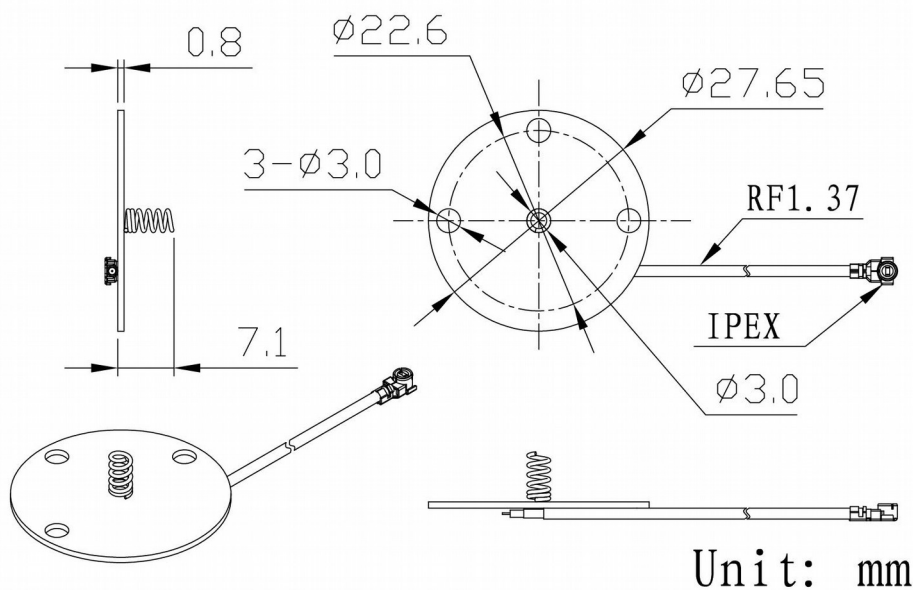
Model : WIFI-ANT407



1 Part Number

**WIFI-ANT407**

2 Dimension ( Unit : mm )



### 3 Electrical Characteristics

#### 3.1 WiFi Antenna

Item	Specifications	
Antenna	Frequency Range	2400~2483.5MHz
	Band Width	83.5MHz
	Polarization	Linear
	Gain	0dBi
	V.S.W.R	< 3.0
	Impedance	50Ω
	PCB Dimension	Φ27.65*0.8mm
Mechanical	Cable	RF1.13/RF1.37 or others
	Connector	IPEX or others
	Mounting Method	Screw
Environmental	Operating Temperature	-40℃~+85℃
	Vibration	10 to 55Hz with 1.5mm amplitude 2hours
	Environmentally Friendly	ROHS Compliant

#### 4 Radiation Pattern

