



Fotoprzełączniki  
V12-2, Fotoprzełącznik odbiciowy, energetyczny

VT12T-2P410



Nazwa modelu > **VT12T-2P410**

Numer cz ci > **6026212**



#### At a glance

- Sensing distance up to 115 mm or 340 mm (90% remission)
- 2 teach-in modes: Standard teach mode for basic applications, precise teach mode with small hysteresis for special applications
- Adjustable light or dark switching as complementary outputs
- PNP or NPN output available
- Complements inductive sensor portfolio
- M12 housing
- 4-pin M12 connector or 2 m cable

#### Your benefits

- Standard M12 miniature housing saves installation space on the machine
- Simple design and time-saving installation due to a standard M12 housing
- Operating reserve display simplifies commissioning and saves maintenance time
- Cost-effective solution due to simple mounting, standardized connection technology and broad application use
- Fast response times ensure reliable detection of objects at high speeds, increasing machine throughput
- Tough metal housing provides a long service life, reducing maintenance time and costs



#### Cechy

Zasada działania czujnika/Sposób detekcji:	Fotoprzeakaźnik odbiciowy, energetyczny
Housing design (light emission):	Cylindrical, straight
Długość obudowy:	65,5 mm
Thread diameter (housing):	M12 x 1
Maks. strefa działania:	0 mm ... 115 mm <sup>1)</sup>
Sensing range:	2 mm ... 100 mm
Rodzaj światła:	Światło podczerwone
Nadajnik światła:	LED <sup>2)</sup>
Light spot (distance):	20 mm (100 mm)
Długość fali:	880 nm
Nastawienie czułości:	Manual, via teach-in button electronic, via control input C (0 V)
Kąt promieniowania:	11,4 °

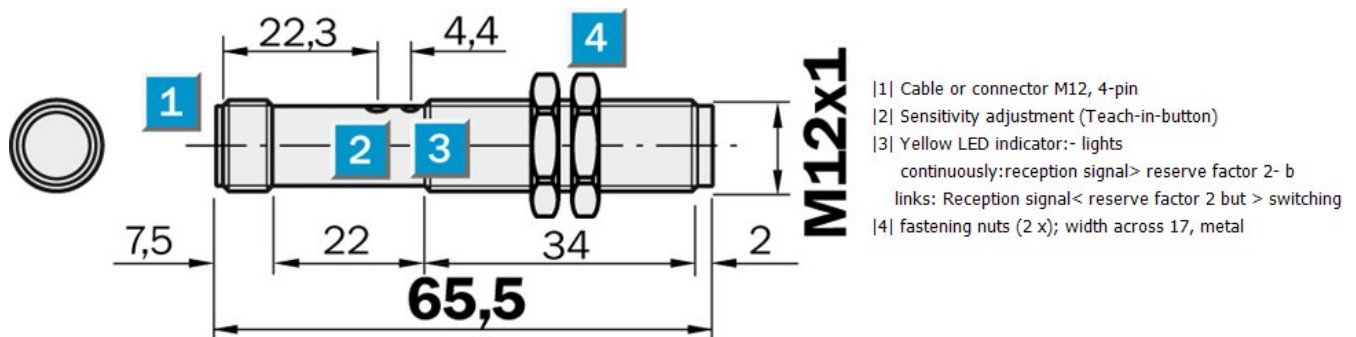
<sup>1)</sup> Obiekt odbijający 90% światła (standardowy biały zgodnie z normą DIN 5033) <sup>2)</sup> Average service life of 100,000 h at T<sub>A</sub> = +25 °C

## Mechanika/elektronika

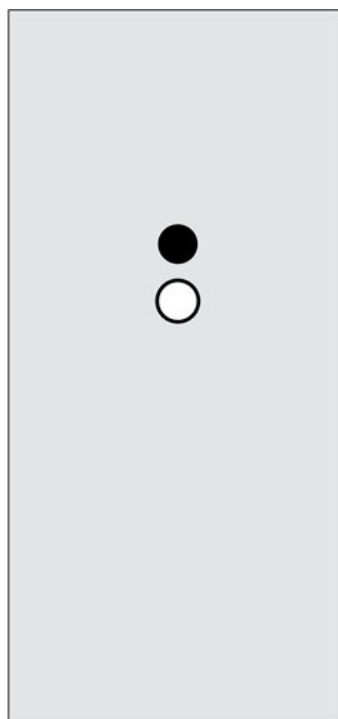
Napięcie zasilania:	10 V DC ... 30 <sup>1)</sup>
Tętnienia resztkowe:	≤ 10 % <sup>2)</sup>
Pobór prądu:	20 <sup>3)</sup>
Wyjście przełączające:	PNP, przełączanie jasno/ciemno, wybierane, Selectable via control input C
Output current I <sub>max</sub> .:	100 <sup>4)</sup>
Czas reakcji:	≤ 1,25 ms <sup>5)</sup>
Switching frequency:	400 <sup>6)</sup>
Sposób przyłączenia:	Connector M12, 4-pin
Układ zabezpieczenia:::::	A, B, C, D <sup>7) 8) 9) 10)</sup>
Klasa ochronności:	III
Ciężar:	18 g
Tworzywo, obudowa:	Nickel-plated brass/PA
Tworzywo, układ optyczny:	PMMA
Enclosure rating:	IP 67
Ambient operating temperature:	-25 ... 70 °C
Ambient storage temperature:	-25 ... 70 °C

1) Limit values 2) May not exceed or fall short of  $V_S$  3) Bez obciążenia 4) Without load 5) Signal transit time with resistive load 6) With light/dark ratio 1:1 7)  $A = V_S$   
connections reverse-polarity protected 8) B = inputs and output reverse-polarity protected 9) C = interference suppression 10) D = outputs overcurrent and short-circuit protected

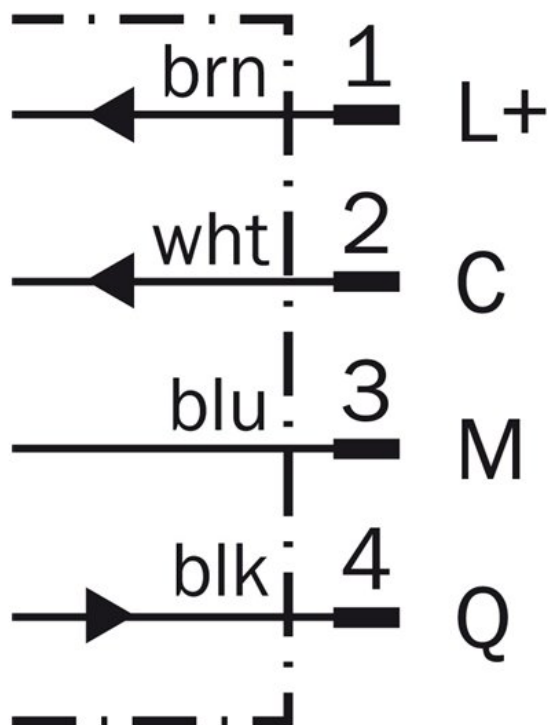
## Dimensional drawing



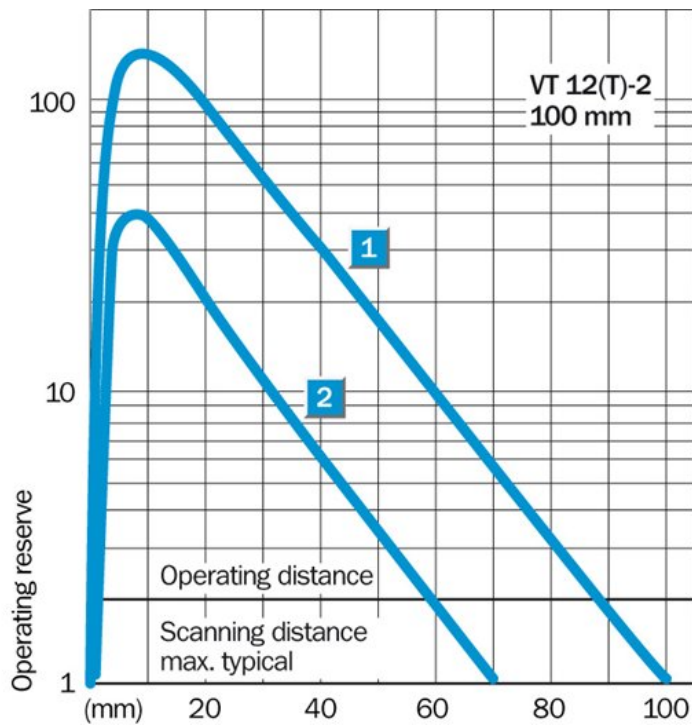
Adjustments possible



Connection diagram



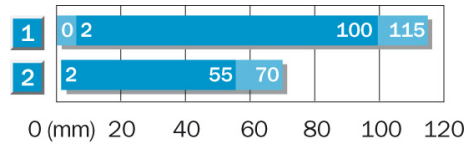
## Characteristic curve



## Connection type



## Sensing range diagram



■ Betriebstastweite    ■ typ. max. Tastweite

1	Tastbereich auf Weiß, 90 % Remission
2	Tastbereich auf Grau, 18 % Remission

**Australia**

Phone +61 3 9457 0600  
1800 334 802 – tollfree  
E-Mail sales@sick.com.au

**Belgium/Luxembourg**

Phone +32 (0)2 466 55 66  
E-Mail info@sick.be

**Brasil**

Phone +55 11 3215-4900  
E-Mail sac@sick.com.br

**Canada**

Phone +1 905 771 14 44  
E-Mail information@sick.com

**Ceská Republika**

Phone +420 2 57 91 18 50  
E-Mail sick@sick.cz

**China**

Phone +86 4000 121 000  
E-Mail info.china@sick.net.cn  
Phone +852-2153 6300  
E-Mail ghk@sick.com.hk

**Danmark**

Phone +45 45 82 64 00  
E-Mail sick@sick.dk

**Deutschland**

Phone +49 211 5301-301  
E-Mail kundenservice@sick.de

**España**

Phone +34 93 480 31 00  
E-Mail info@sick.es

**France**

Phone +33 1 64 62 35 00  
E-Mail info@sick.fr

**Great Britain**

Phone +44 (0)1727 831121  
E-Mail info@sick.co.uk

**India**

Phone +91-22-4033 8333  
E-Mail info@sick-india.com

**Israel**

Phone +972-4-6801000  
E-Mail info@sick-sensors.com

**Italia**

Phone +39 02 27 43 41  
E-Mail info@sick.it

**Japan**

Phone +81 (0)3 3358 1341  
E-Mail support@sick.jp

**Magyarország**

Phone +36 1 371 2680  
E-Mail office@sick.hu

**Nederlands**

Phone +31 (0)30 229 25 44  
E-Mail info@sick.nl

**Norge**

Phone +47 67 81 50 00  
E-Mail austefjord@sick.no

**Österreich**

Phone +43 (0)22 36 62 28 8-0  
E-Mail office@sick.at

**Polska**

Phone +48 22 837 40 50  
E-Mail info@sick.pl

**România**

Phone +40 356 171 120  
E-Mail office@sick.ro

**Russia**

Phone +7-495-775-05-30  
E-Mail info@sick.ru

**Schweiz**

Phone +41 41 619 29 39  
E-Mail contact@sick.ch

**Singapore**

Phone +65 6744 3732  
E-Mail admin@sicksgp.com.sg

**Slovenija**

Phone +386 (0)1-47 69 990  
E-Mail office@sick.si

**South Africa**

Phone +27 11 472 3733  
E-Mail info@sickautomation.co.za

**South Korea**

Phone +82 2 786 6321/4  
E-Mail info@sickkorea.net

**Suomi**

Phone +358-9-25 15 800  
E-Mail sick@sick.fi

**Sverige**

Phone +46 10 110 10 00  
E-Mail info@sick.se

**Taiwan**

Phone +886-2-2375-6288  
E-Mail sales@sick.com.tw

**Türkiye**

Phone +90 (216) 528 50 00  
E-Mail info@sick.com.tr

**United Arab Emirates**

Phone +971 (0) 4 8865 878  
E-Mail info@sick.ae

**USA/México**

Phone +1(952) 941-6780  
1 800-325-7425 – tollfree  
E-Mail info@sickusa.com

More representatives and agencies  
at [www.sick.com](http://www.sick.com)