

D-SUB sleeve housings - VS-25-T-2M20 - 1689792


Please be informed that the data shown in this PDF Document is generated from our Online Catalog. Please find the complete data in the user's documentation. Our General Terms of Use for Downloads are valid (<http://phoenixcontact.com/download>)



D-SUB sleeve housing, shell size 3, IP67 degree of protection



Key Commercial Data

Packing unit	5 pc
Minimum order quantity	5 pc
GTIN	 4 017918 915476
Weight per Piece (excluding packing)	42.8 g
Custom tariff number	85472000
Country of origin	Germany
Note	Made to Order (non-returnable)

Technical data

General data

Degree of pollution	2
---------------------	---

Standards and Regulations

Flammability rating according to UL 94	V0
--	----

Classifications

eCl@ss

eCl@ss 4.0	27140816
eCl@ss 4.1	27260701
eCl@ss 5.0	27260701
eCl@ss 5.1	27260701
eCl@ss 6.0	27261203
eCl@ss 7.0	27440202
eCl@ss 8.0	27440202

D-SUB sleeve housings - VS-25-T-2M20 - 1689792

Classifications

eCl@ss

eCl@ss 9.0	27440202
------------	----------

ETIM

ETIM 2.0	EC000437
ETIM 3.0	EC000437
ETIM 4.0	EC000437
ETIM 5.0	EC000437

UNSPSC

UNSPSC 6.01	31261501
UNSPSC 7.0901	31261501
UNSPSC 11	31261501
UNSPSC 12.01	31261501
UNSPSC 13.2	31261501

Approvals

Approvals

Approvals

EAC

Ex Approvals

Approvals submitted

Approval details

EAC

Accessories

Accessories

Coding element

D-SUB sleeve housings - VS-25-T-2M20 - 1689792

Accessories

Coding profile - CP-HCC 4 - 1600027



Coding profile, Number of positions: 1, Color: red

Device marking

Zack marker strip - ZBN 18:UNBEDRUCKT - 2809128



Zack marker strip, Strip, white, unlabeled, can be labeled with: Plotter, Mounting type: Snap into tall marker groove, for terminal block width: 18 mm, Lettering field: 18 x 5 mm

Pressure nut

D-SUB pressure nut - VS-M20 (5-13) - 1652127



D-SUB cap nut with line seal, for conductor diameter of 5 mm ... 13 mm, for sleeve housing VS-25-...

Protective cap

Filler plugs - Q-PROT 9/11 - 1670235



Closing cap for Pg9/Pg11 to close unoccupied connections

Shroud

D-SUB EMC inner sleeve - VS-25-TI-2 EMV - 1689802

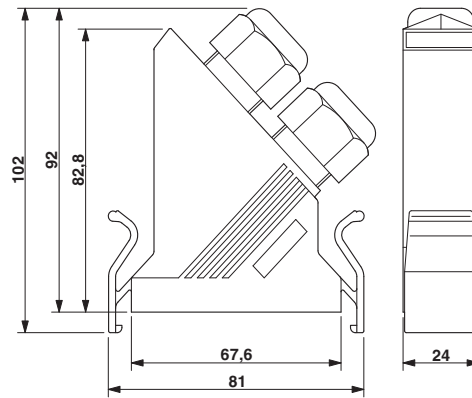


D-SUB EMC inner sleeve, shell size 3, for sleeve housing VS-25-...

D-SUB sleeve housings - VS-25-T-2M20 - 1689792

Drawings

Dimensional drawing



D-SUB sleeve housings