

D-SUB panel mounting frames - VS-09-A - 1688366


Please be informed that the data shown in this PDF Document is generated from our Online Catalog. Please find the complete data in the user's documentation. Our General Terms of Use for Downloads are valid (<http://phoenixcontact.com/download>)



D-SUB panel mounting frame, shell size 1, IP67 degree of protection



Key Commercial Data

Packing unit	5 pc
Minimum order quantity	5 pc
GTIN	 4 017918 817510
Weight per Piece (excluding packing)	8.79 g
Custom tariff number	85389099
Country of origin	Germany

Technical data

General data

Degree of pollution	2
---------------------	---

Standards and Regulations

Flammability rating according to UL 94	V0
--	----

Classifications

eCl@ss

eCl@ss 4.0	27140816
eCl@ss 4.1	27260701
eCl@ss 5.0	27260701
eCl@ss 5.1	27260701
eCl@ss 6.0	27261203
eCl@ss 7.0	27440202
eCl@ss 8.0	27440201

D-SUB panel mounting frames - VS-09-A - 1688366

Classifications

ETIM

ETIM 2.0	EC000437
ETIM 3.0	EC000437
ETIM 4.0	EC000437
ETIM 5.0	EC002309

UNSPSC

UNSPSC 6.01	31261501
UNSPSC 7.0901	31261501
UNSPSC 11	31261501
UNSPSC 12.01	31261501
UNSPSC 13.2	31261501

Approvals

Approvals

Approvals

EAC

Ex Approvals

Approvals submitted

Approval details

EAC

Accessories

Accessories

Protective cover

D-SUB protective cover - VS-09-SD - 1887086

D-SUB protective cover, shell size 1, IP54 degree of protection, for panel mounting frame and sleeve housing VS-09-...



Shroud

D-SUB panel mounting frames - VS-09-A - 1688366

Accessories

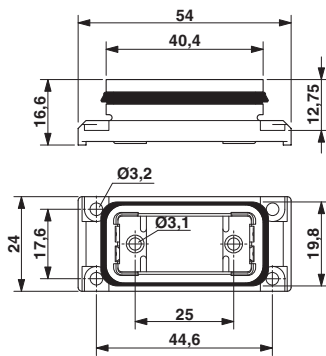
D-SUB EMC shroud - VS-09-A-EMV-S - 1688463



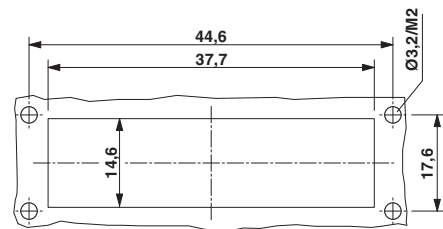
D-SUB EMC shroud, for panel mounting frame VS-09-..., shell size 1, shielded

Drawings

Dimensional drawing



Dimensional drawing



Panel cutout

D-SUB panel mounting frame