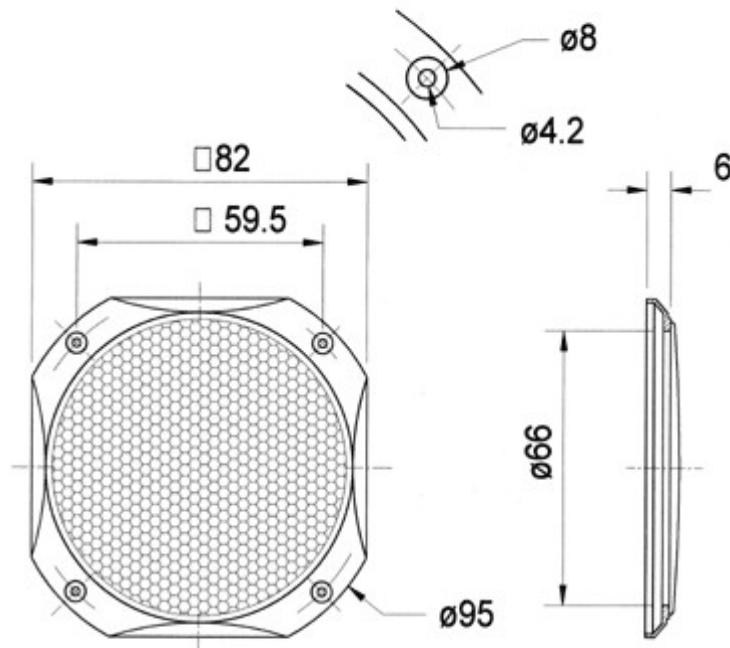


VS-FR-1138



Attributes:

- Material: PC (UL 94: V-2)

- Suitable for:

VS-F 8SC 4 OHM
 VS-F 8SC 8 OHM
 VS-FR8 4 OHM
 VS-FR8 8 OHM
 VS-FR8 JS 8 OHM
 VS-FRS8 4 OHM
 VS-FRS8 8 OHM
 VS-FRS8 M 8 OHM