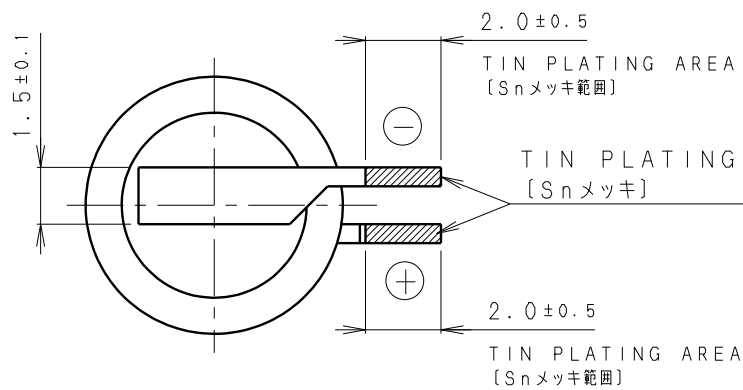
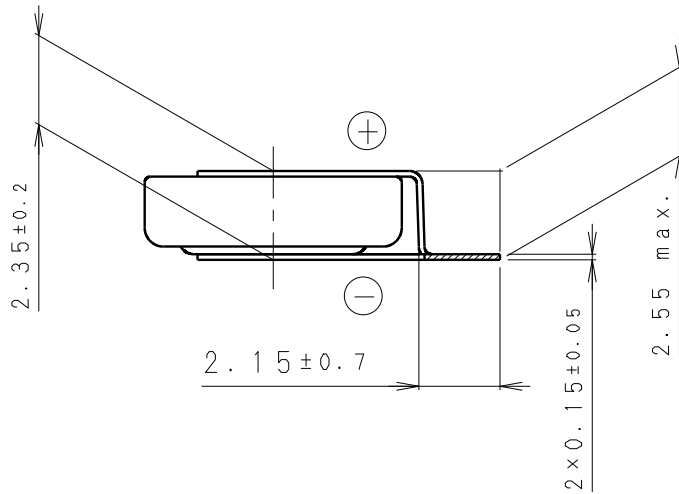
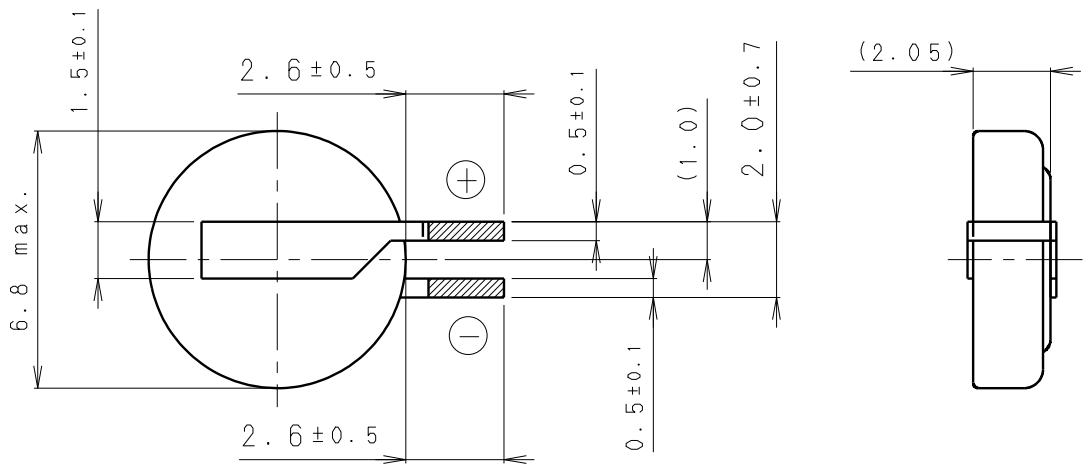


\* NOTE [注記]

1. TAB PULLING STRENGTH OVER 14.7N  
[端子溶接強度：14.7N以上]
2. TAB MATERIAL: STAINLESS STEEL WITH TIN PLATING [端子材料：基材 ステンレス/表面 部分Snメッキ]
3. ( ) : REFERENCE DIMENSION AND ANGLE  
[ ( ) 寸法、角度は参考値]

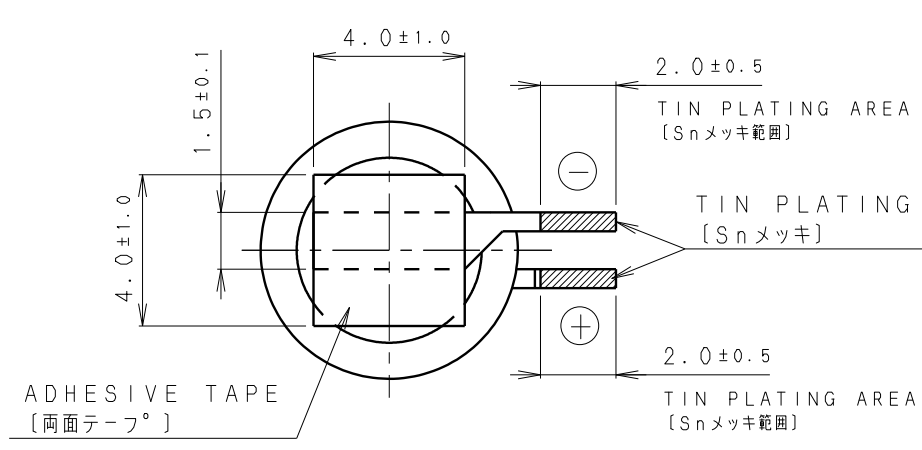
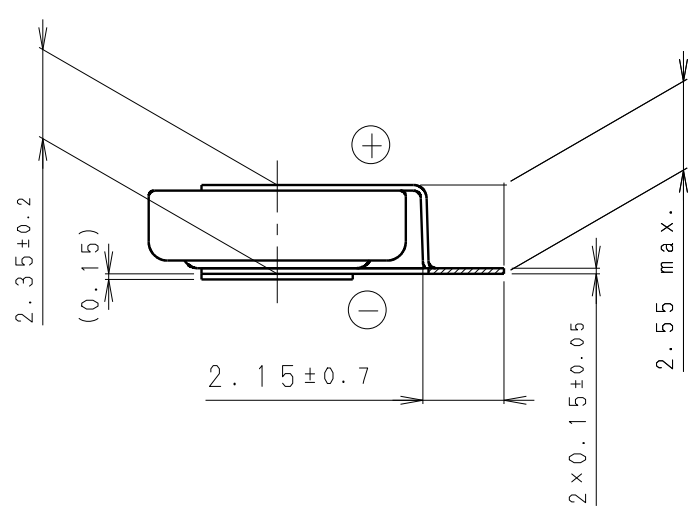
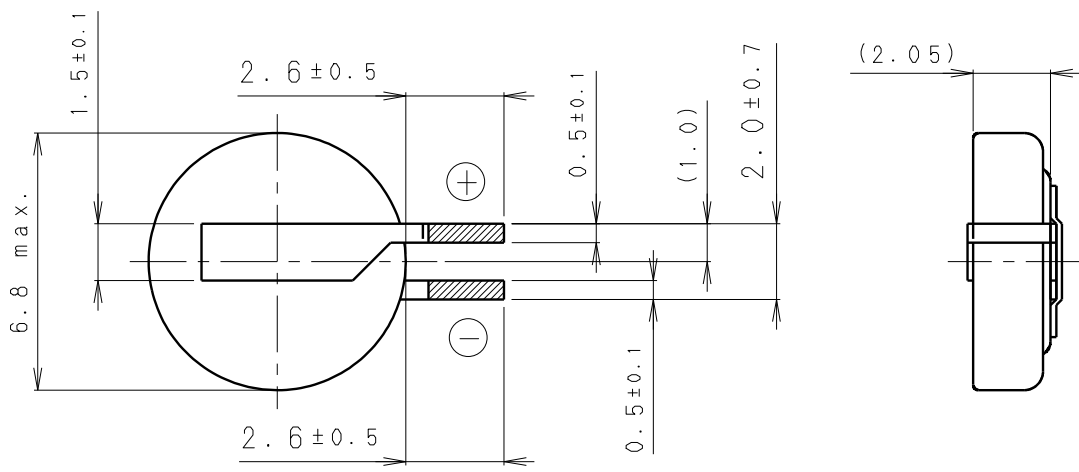
PRODUCT NO.	VL-621/DK	SCALE	
		5:1	
DRAWING NO.	DFFA1N	REV.	
		0	



\* NOTE [注記]

1. TAB PULLING STRENGTH OVER 14.7N  
[端子溶接強度: 14.7N以上]
2. TAB MATERIAL: STAINLESS STEEL WITH TIN PLATING  
[端子材料: 基材 ステンレス/表面 部分Snメッキ]
3. ( ): REFERENCE DIMENSION AND ANGLE  
[ ( ) 寸法、角度は参考値]

PRODUCT NO.	VL-621/DN	SCALE	
		5:1	
DRAWING NO.	DFFA1N	REV.	
		0	



- \* NOTE [注記]
- TAB PULLING STRENGTH OVER 14.7N  
[端子溶接強度：14.7N以上]
  - TAB MATERIAL: STAINLESS STEEL WITH TIN PLATING [錫めっき]  
[端子材料：基材 ステンレス/表面 部分Snメッキ [錫めっき]]
  - ( ) : REFERENCE DIMENSION AND ANGLE  
[ ( ) 寸法、角度は参考値]

PRODUCT NO.	VL-621/FDAK	SCALE	
		5:1	
DRAWING NO.	DFFA1N	REV.	
		0	