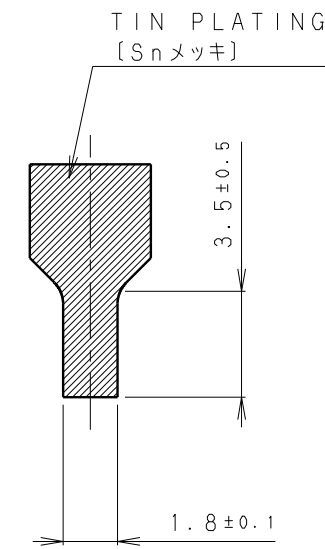
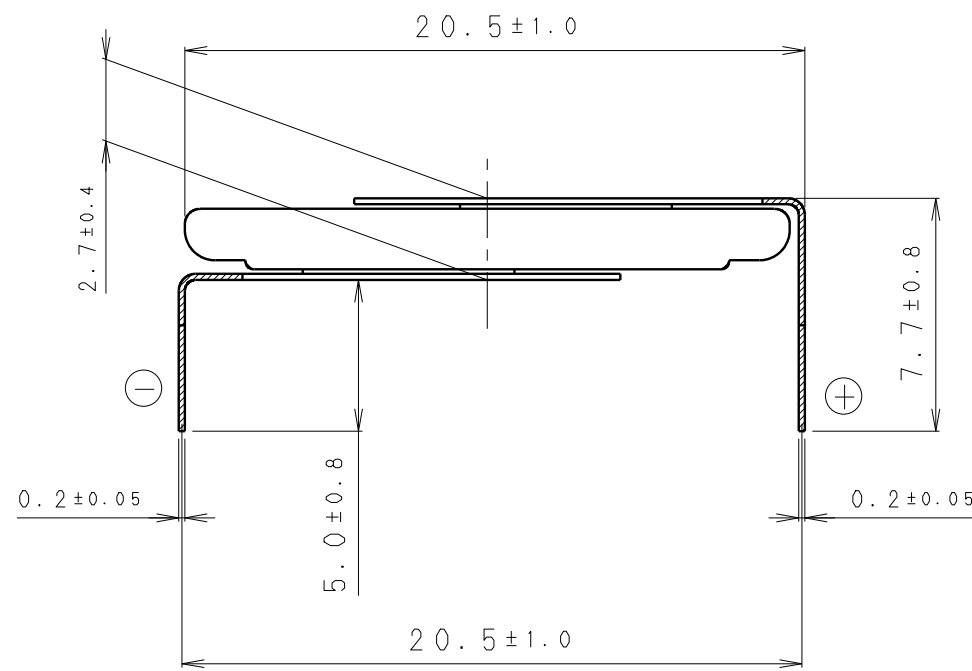
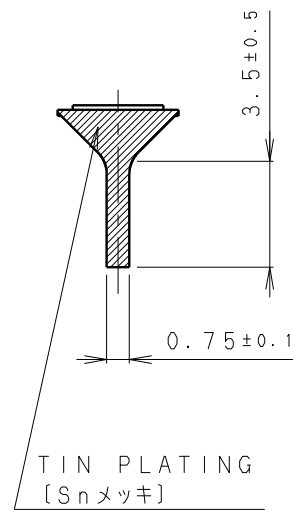
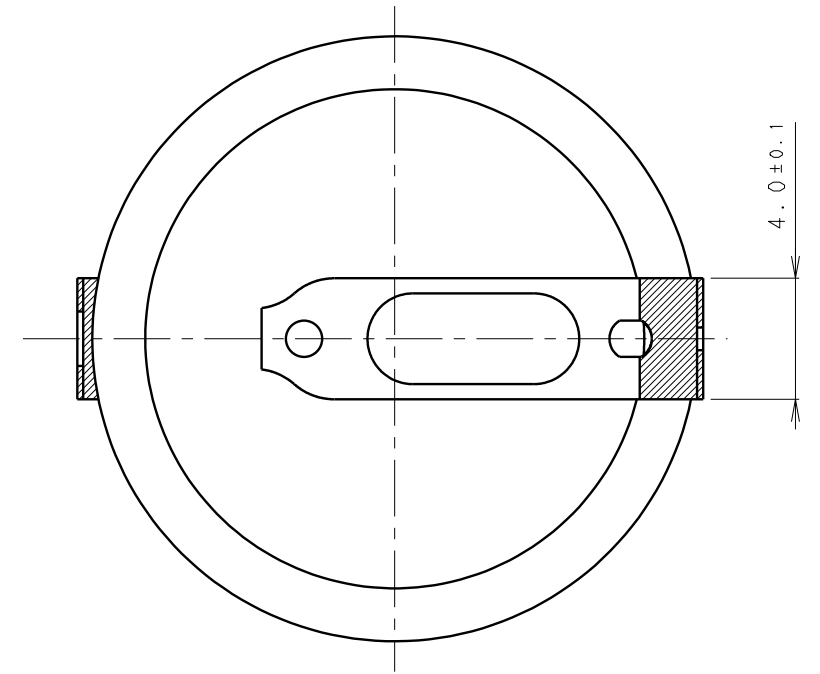
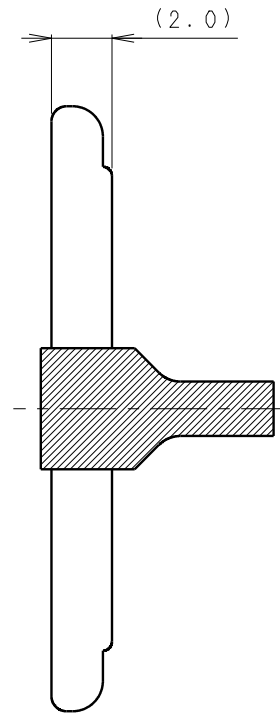
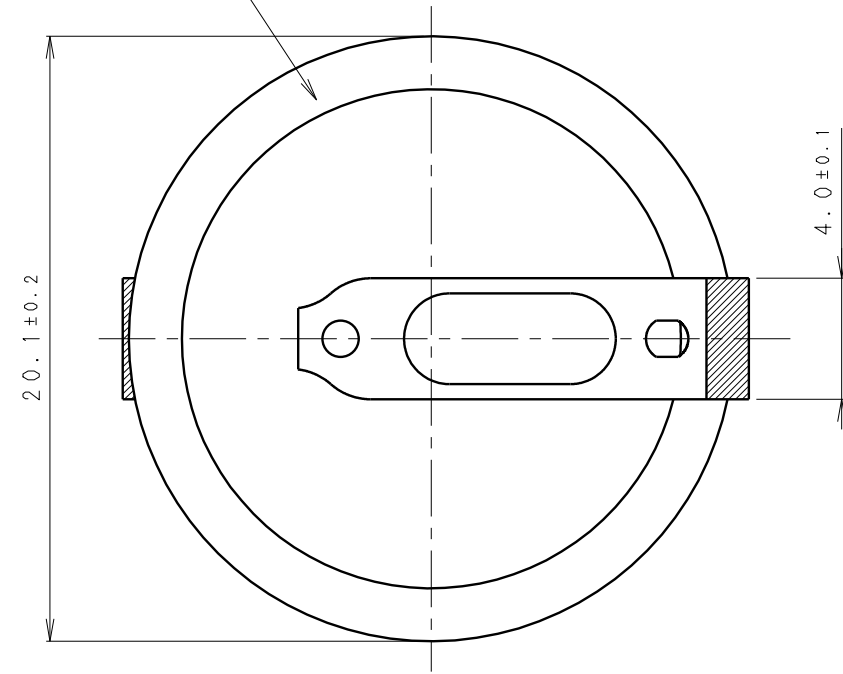


INSULATOR (BROWN)
[絶縁チューブ* (茶色)]

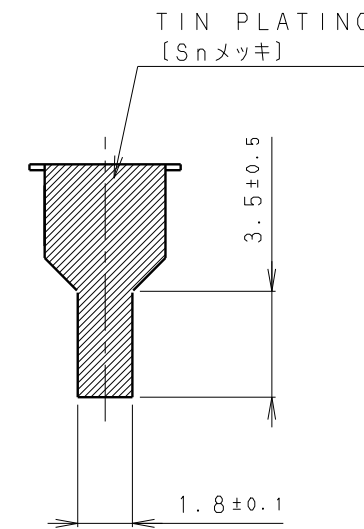
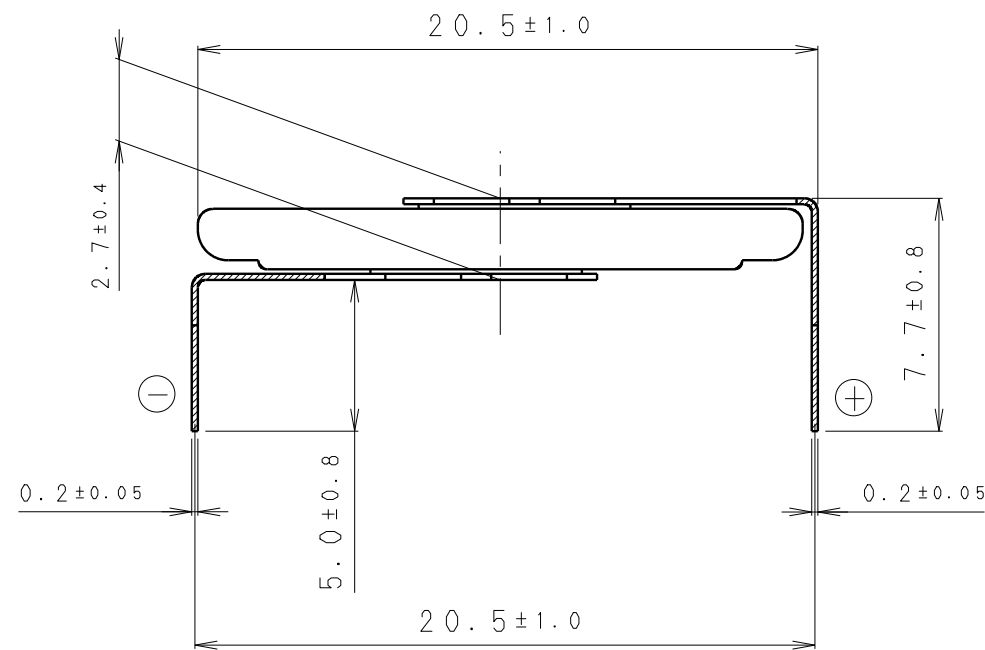
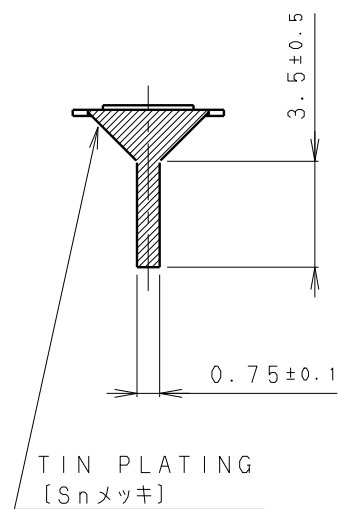
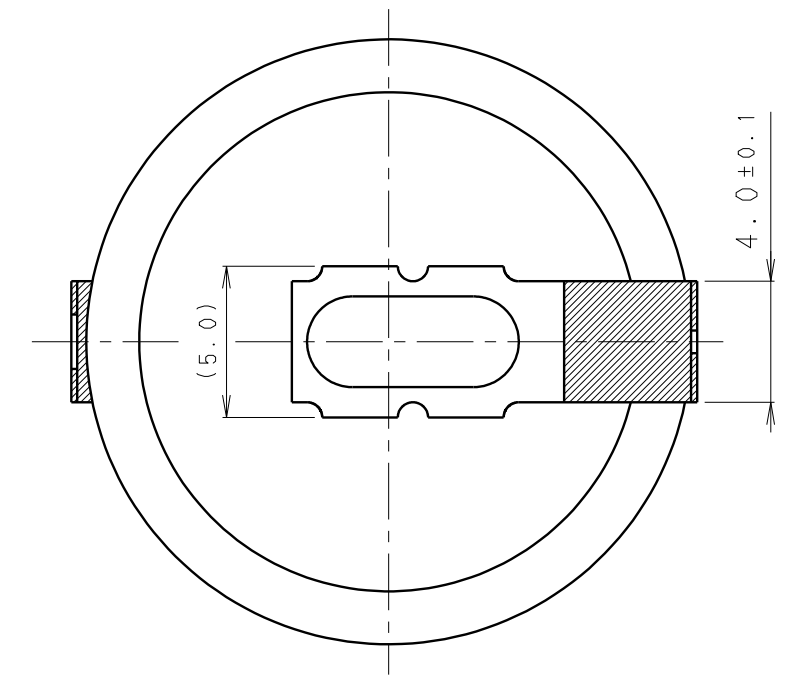
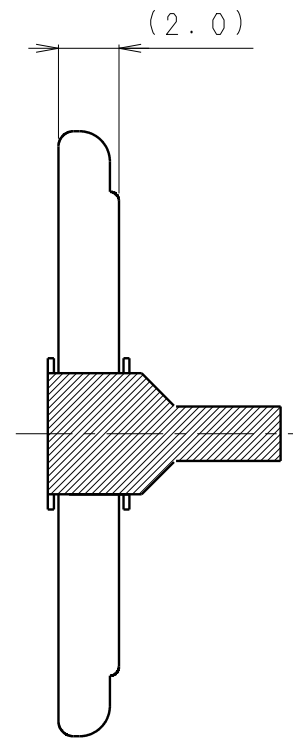
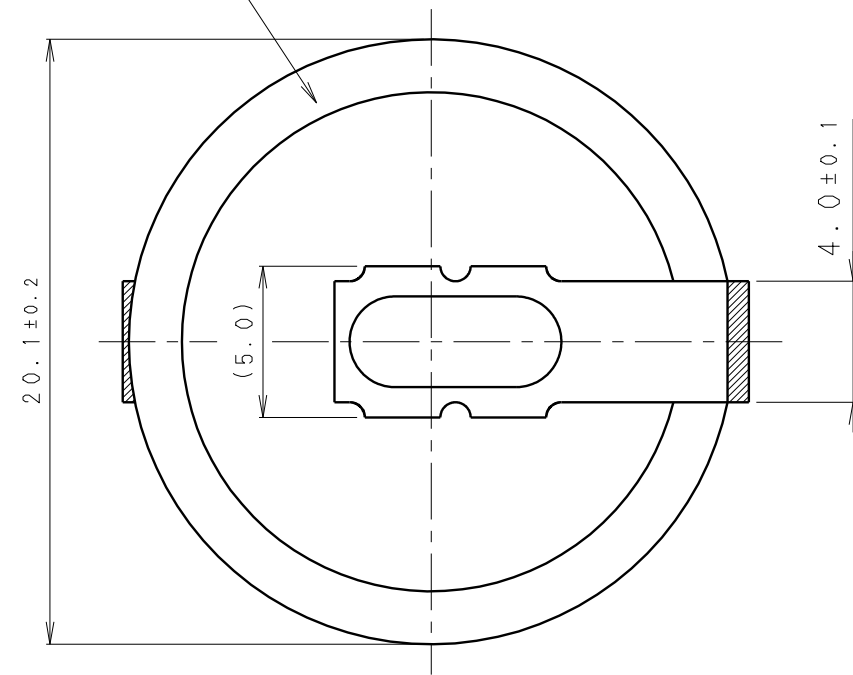


*NOTE [注記]

1. TAB PULLING STRENGTH OVER 19.6N [端子溶接強度: 19.6N以上]
2. TAB MATERIAL: STAINLESS STEEL WITH TIN PLATING
[端子材料: 基材 ステンレス/表面 部分Snメッキ]
3. (): REFERENCE DIMENSION AND ANGLE [() 寸法、角度は参考値]

| | | | |
|-------------|-------------|-------|---------|
| PRODUCT NO. | VL-2020/HFN | SCALE | |
| | | 4:1 | |
| DRAWING NO. | PEHA1Z | REV. | UNIT:mm |
| | | 0 | |

INSULATOR (BROWN)
[絶縁チューブ* (茶色)]

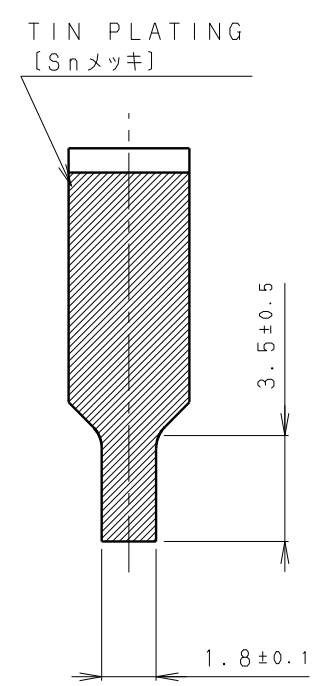
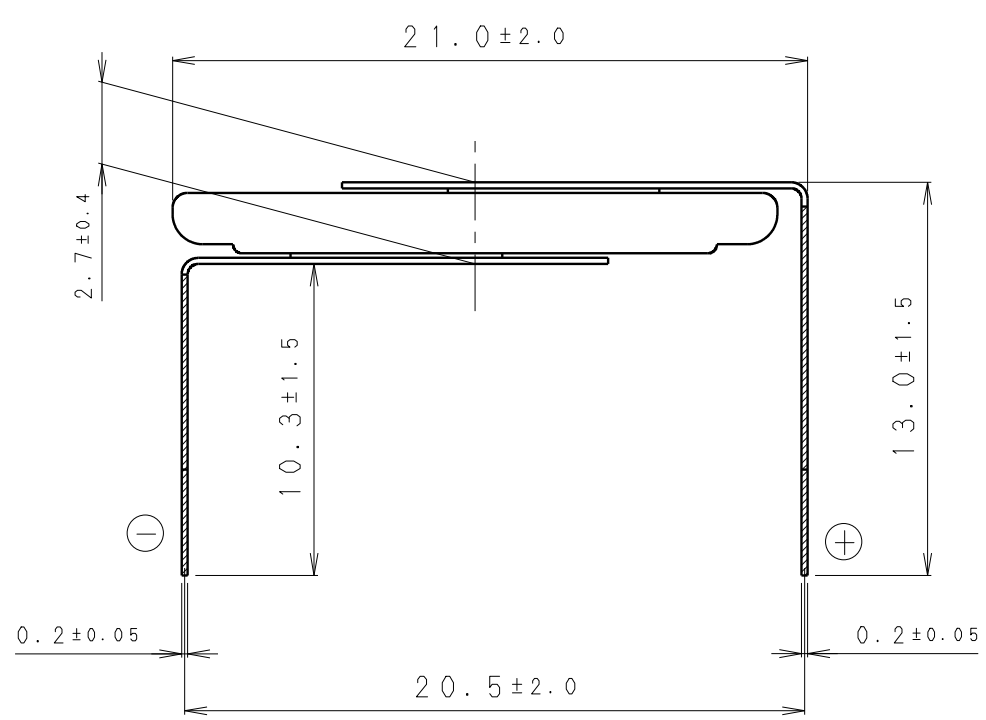
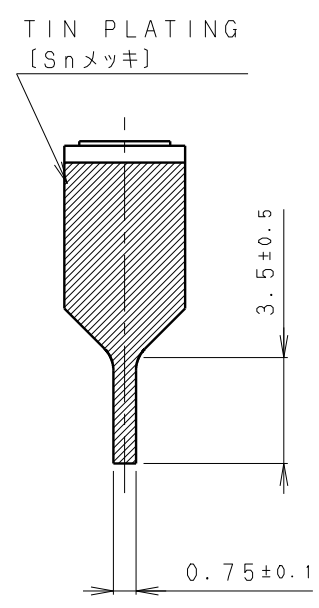
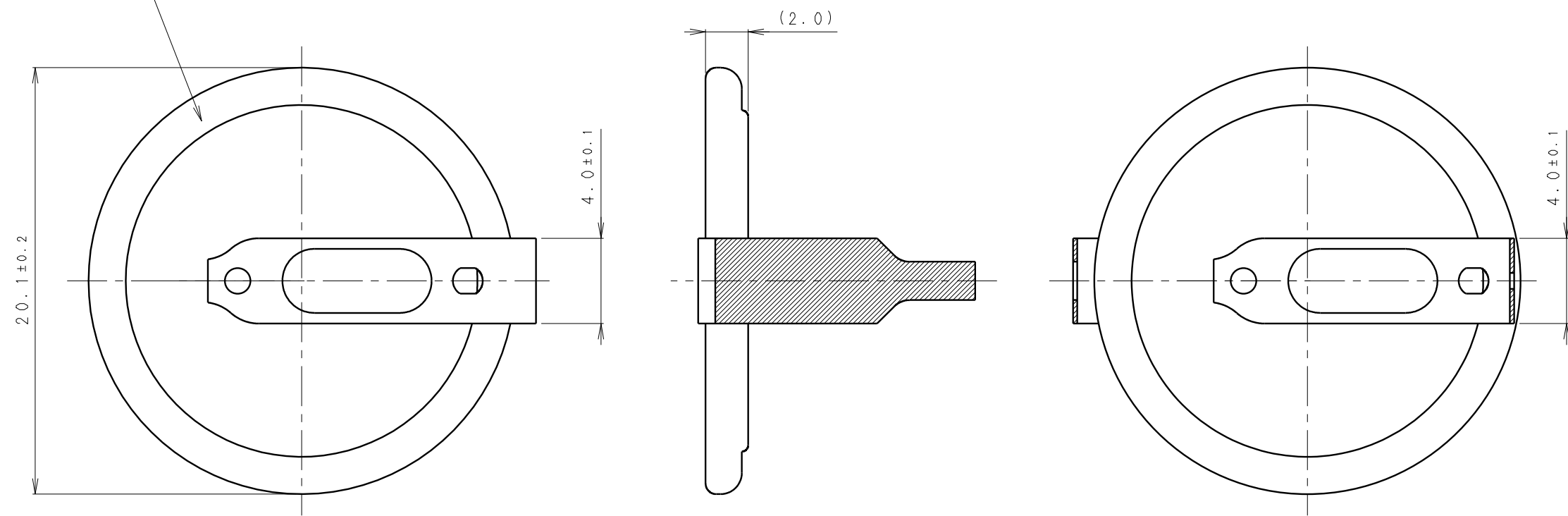


* NOTE [注記]

- TAB PULLING STRENGTH OVER 19.6N [端子溶接強度: 19.6N以上]
- TAB MATERIAL: STAINLESS STEEL WITH TIN PLATING
[端子材料: 基材 ステンレス/表面 部分Snメッキ]
- (): REFERENCE DIMENSION AND ANGLE [() 寸法、角度は参考値]

| | | | |
|-------------|-------------|-------|----------|
| PRODUCT NO. | VL-2020/HFN | SCALE | 4:1 |
| DRAWING NO. | PEHB1Z | REV. | 0 |
| | | | UNIT: mm |

INSULATOR (BROWN)
[絶縁チューブ (茶色)]



- * NOTE [注記]
- TAB PULLING STRENGTH OVER 19.6N [端子溶接強度: 19.6N以上]
 - TAB MATERIAL: STAINLESS STEEL WITH TIN PLATING [端子材料: 基材 ステンレス/表面 部分Snメッキ]
 - (): REFERENCE DIMENSION AND ANGLE [() 寸法、角度は参考値]

| | | | |
|-------------|-------------|-------|---------|
| PRODUCT NO. | VL-2020/HMN | SCALE | 4:1 |
| DRAWING NO. | PRHF1Z | REV. | 0 |
| | | | UNIT:mm |