



Fotoprzełączniki
V18, Fotoprzełącznik refleksyjny

VL18-4P3740



Nazwa modelu > **VL18-4P3740**

Numer cz ci > **6013623**



At a glance

- Cylindrical M18 housing
- Sensing distance up to 3.7 m
- 3- or 4-wire
- Straight or right-angle housing
- Metal or plastic housing

Your benefits

- Simple, standardized design ensures easy mounting, alignment and replacement
- Compact, space-saving design easily fits in tight application spaces
- Polarizing filter prevents false readings on reflective surfaces, reducing downtime



Cechy

Zasada działania czujnika/Sposób detekcji:	Fotoprzekaźnik refleksyjny
Housing design (light emission):	Cylindrical, straight, straight
Długość obudowy:	78 mm
Thread diameter (housing):	M18 x 1
Oś optyczna:	Osiowa
Maks. strefa działania:	0,05 m ... 3,7 m ¹⁾
Sensing range:	0,05 m ... 3 m ²⁾
Rodzaj światła:	Widzialne światło czerwone
Nadajnik światła:	LED ³⁾
Light spot (distance):	150 mm (3 m)
Nastawienie czułości:	Potentiometer, 270°
Kąt promieniowania:	2,8 °

1) 2) C110A 3) Average service life 100,000 h at Ta = +25 °C

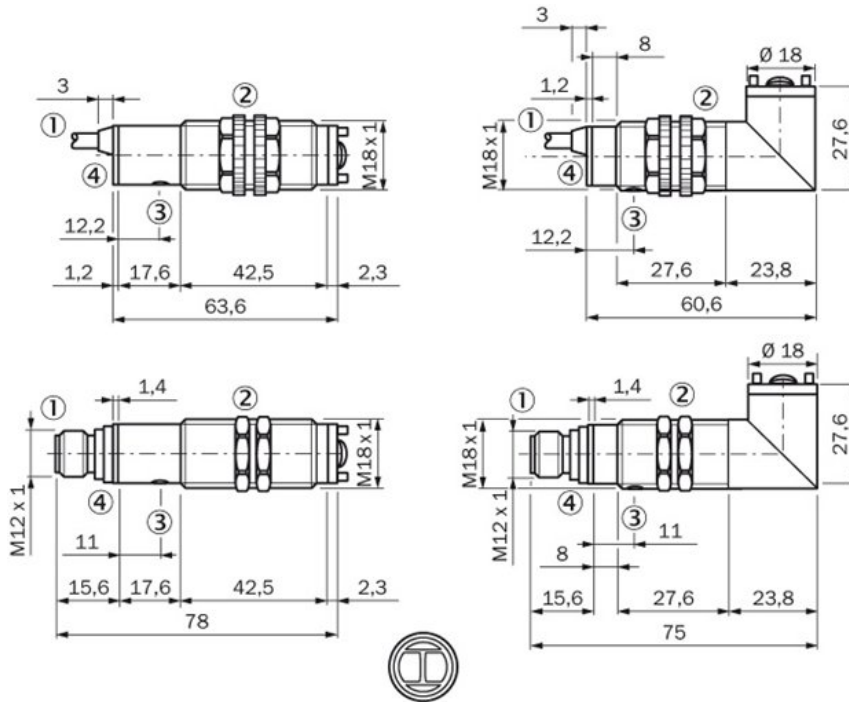
Mechanika/elektronika

Napięcie zasilania:	10 V DC ... 30 V DC ¹⁾
Tętnienia resztkowe:	≤ 10 % ²⁾
Pobór prądu:	≤ 30 mA ³⁾
Wyjście przełączające:	PNP, przełączanie jasno/ciemno, wybierane, Selectable via L/D control wire, open collector
Output current I _{max} .:	100 mA
Czas reakcji:	≤ 2 ms ⁵⁾
Switching frequency:	250 Hz ⁶⁾

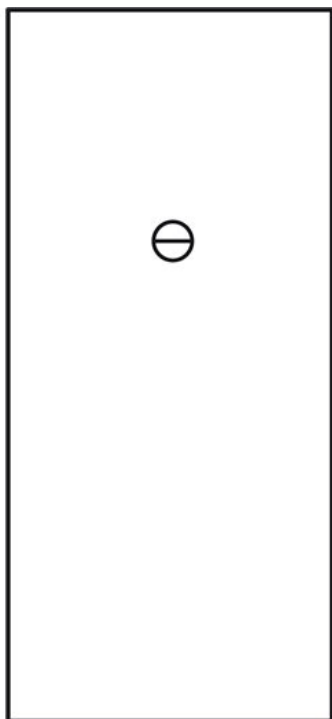
Sposób przyłączenia:	Connector M12, 4-pin
Układ zabezpieczenia:::	A, B, C, D ^{7) 8) 9) 10)}
Klasa ochrony:	III
Ciężar:	100 g
Filtr polaryzacyjny:	✓
Tworzywo, obudowa:	PBT/PC
Tworzywo, układ optyczny:	PMMA
Enclosure rating:	IP 67
Ambient operating temperature:	-25 °C ... 70 °C
UL File-No.:	UL No. NMFT2.E175606

1) Limit values 2) May not exceed or fall short of V_S 3) Bez obciążenia 4) Control wire open: dark-switching D.ON 5) Signal transit time with resistive load 6) With light/dark ratio 1:1 7) A = V_S connections reverse-polarity protected 8) B = inputs and output reverse-polarity protected 9) C = interference suppression 10) D = outputs overcurrent and short-circuit protected

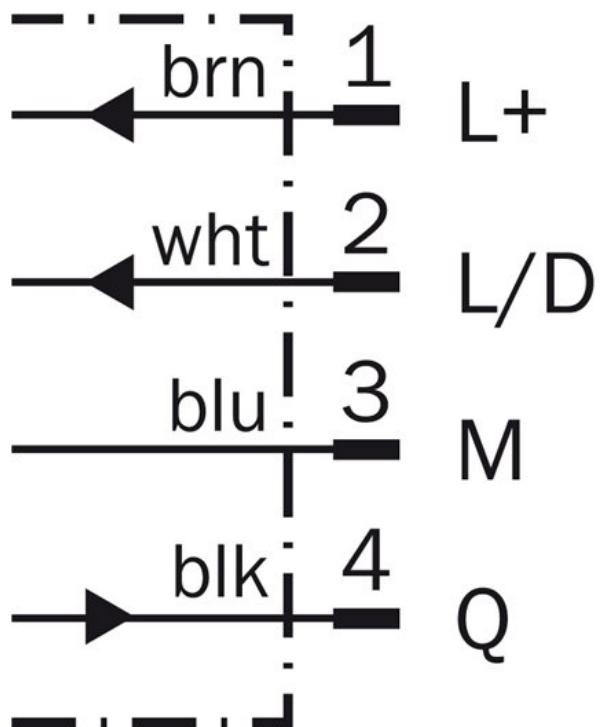
Dimensional drawing



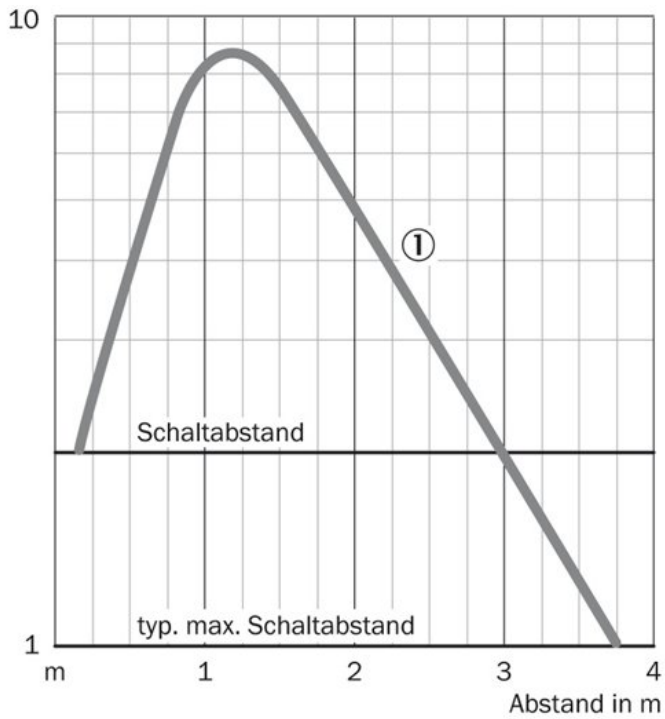
Adjustments possible



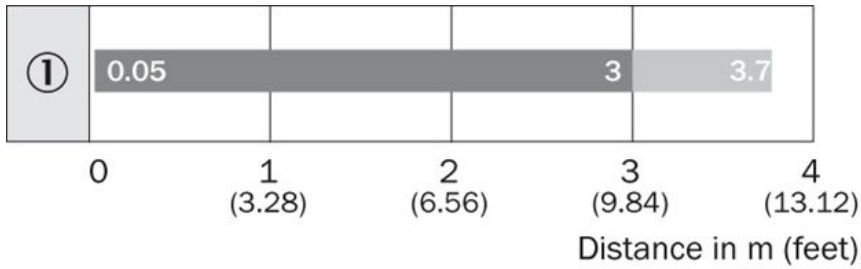
Connection diagram



Characteristic curve



Sensing range diagram

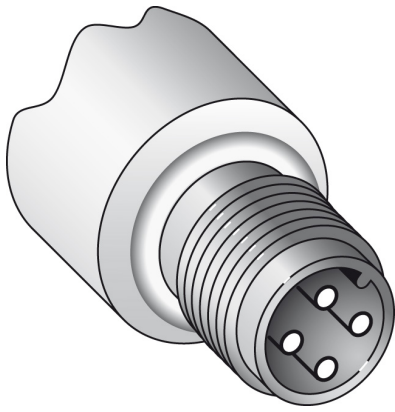


■ Operating range

■ Scanning range typ. max.

① Reflector type C110

Connection type



Australia

Phone +61 3 9457 0600
1800 334 802 – tollfree
E-Mail sales@sick.com.au

Belgium/Luxembourg

Phone +32 (0)2 466 55 66
E-Mail info@sick.be

Brasil

Phone +55 11 3215-4900
E-Mail sac@sick.com.br

Canada

Phone +1 905 771 14 44
E-Mail information@sick.com

Ceská Republika

Phone +420 2 57 91 18 50
E-Mail sick@sick.cz

China

Phone +86 4000 121 000
E-Mail info.china@sick.net.cn
Phone +852-2153 6300
E-Mail ghk@sick.com.hk

Danmark

Phone +45 45 82 64 00
E-Mail sick@sick.dk

Deutschland

Phone +49 211 5301-301
E-Mail kundenservice@sick.de

España

Phone +34 93 480 31 00
E-Mail info@sick.es

France

Phone +33 1 64 62 35 00
E-Mail info@sick.fr

Great Britain

Phone +44 (0)1727 831121
E-Mail info@sick.co.uk

India

Phone +91-22-4033 8333
E-Mail info@sick-india.com

Israel

Phone +972-4-6801000
E-Mail info@sick-sensors.com

Italia

Phone +39 02 27 43 41
E-Mail info@sick.it

Japan

Phone +81 (0)3 3358 1341
E-Mail support@sick.jp

Magyarország

Phone +36 1 371 2680
E-Mail office@sick.hu

Nederlands

Phone +31 (0)30 229 25 44
E-Mail info@sick.nl

Norge

Phone +47 67 81 50 00
E-Mail austefjord@sick.no

Österreich

Phone +43 (0)22 36 62 28 8-0
E-Mail office@sick.at

Polska

Phone +48 22 837 40 50
E-Mail info@sick.pl

România

Phone +40 356 171 120
E-Mail office@sick.ro

Russia

Phone +7-495-775-05-30
E-Mail info@sick.ru

Schweiz

Phone +41 41 619 29 39
E-Mail contact@sick.ch

Singapore

Phone +65 6744 3732
E-Mail admin@sicksgp.com.sg

Slovenija

Phone +386 (0)1-47 69 990
E-Mail office@sick.si

South Africa

Phone +27 11 472 3733
E-Mail info@sickautomation.co.za

South Korea

Phone +82 2 786 6321/4
E-Mail info@sickkorea.net

Suomi

Phone +358-9-25 15 800
E-Mail sick@sick.fi

Sverige

Phone +46 10 110 10 00
E-Mail info@sick.se

Taiwan

Phone +886-2-2375-6288
E-Mail sales@sick.com.tw

Türkiye

Phone +90 (216) 528 50 00
E-Mail info@sick.com.tr

United Arab Emirates

Phone +971 (0) 4 8865 878
E-Mail info@sick.ae

USA/México

Phone +1(952) 941-6780
1 800-325-7425 – tollfree
E-Mail info@sickusa.com

More representatives and agencies
at www.sick.com