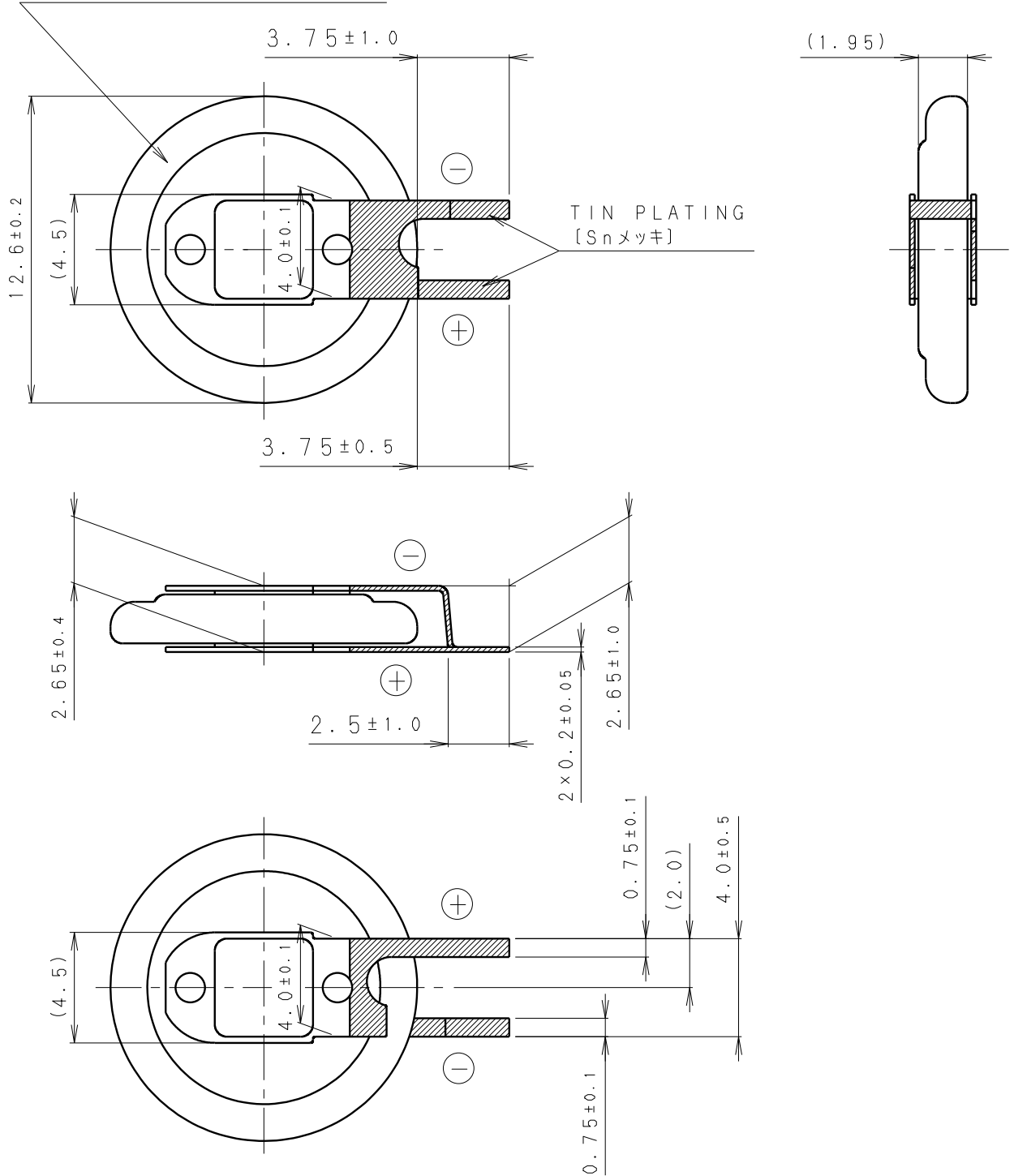


INSULATOR (BROWN)
[絶縁チューブ (茶色)]



* NOTE [注記]

- TAB PULLING STRENGTH OVER 19.6N
[端子溶接強度: 19.6N以上]
- TAB MATERIAL: STAINLESS STEEL WITH TIN PLATING
[端子材料: 基材 ステンレス/表面 部分Snメッキ]
- (): REFERENCE DIMENSION AND ANGLE
[() 寸法、角度は参考値]

PRODUCT NO.	VL-1220/FCN	SCALE	
		4:1	
DRAWING NO.	JEFA6Z	REV.	 UNIT: mm
		0	