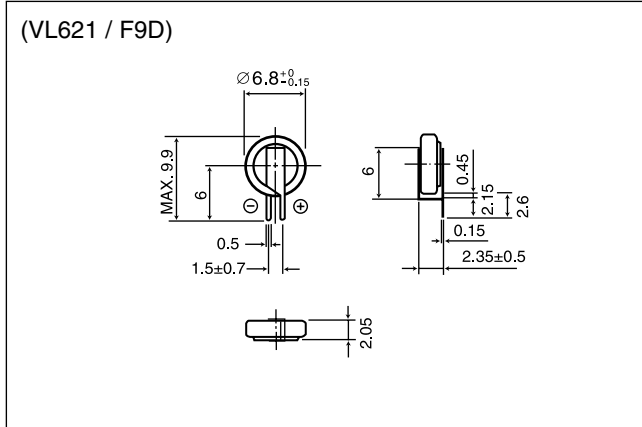


# VL621/\*\*\*

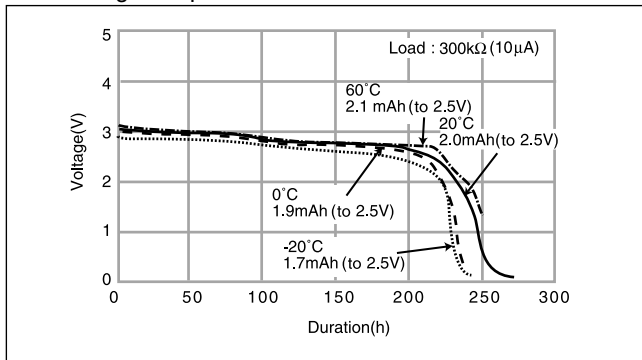
## ■ Dimensions(mm)



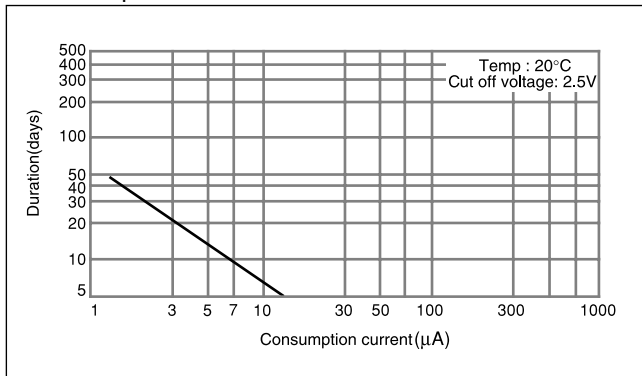
## ■ Specification

<b>Nominal voltage(V)</b>	3
<b>Nominal capacity(mAh)</b>	1.5
<b>Continuous drain(mA)</b>	0.01
<b>Operating temperature(°C)</b>	-20 to +60

## ■ Discharge temperature characteristics

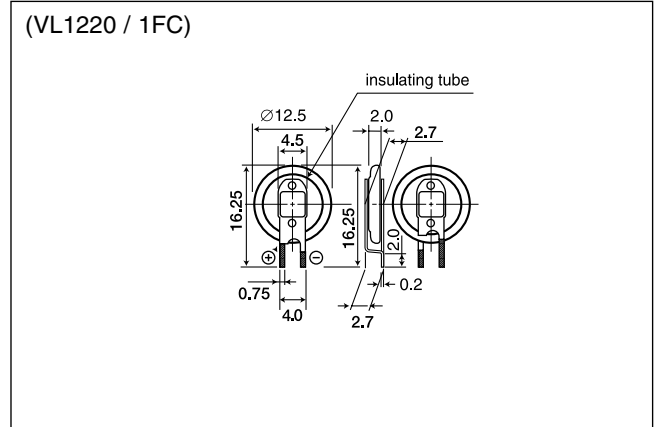


## ■ Consumption current vs. duration time



# VL1220/\*\*\*

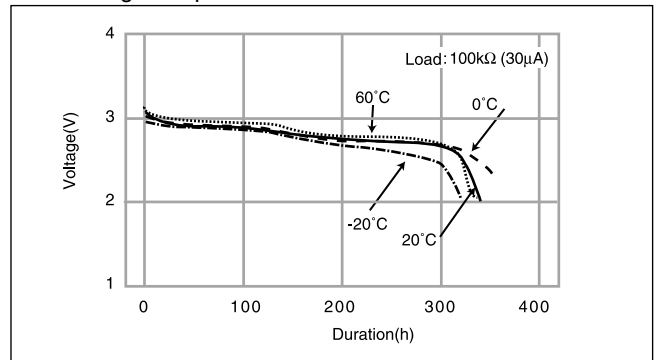
## ■ Dimensions(mm)



## ■ Specification

<b>Nominal voltage(V)</b>	3
<b>Nominal capacity(mAh)</b>	7.0
<b>Continuous drain(mA)</b>	0.02
<b>Operating temperature(°C)</b>	-20 to +60

## ■ Discharge temperature characteristics



## ■ Consumption current vs. duration time

