

Art. No. 5413

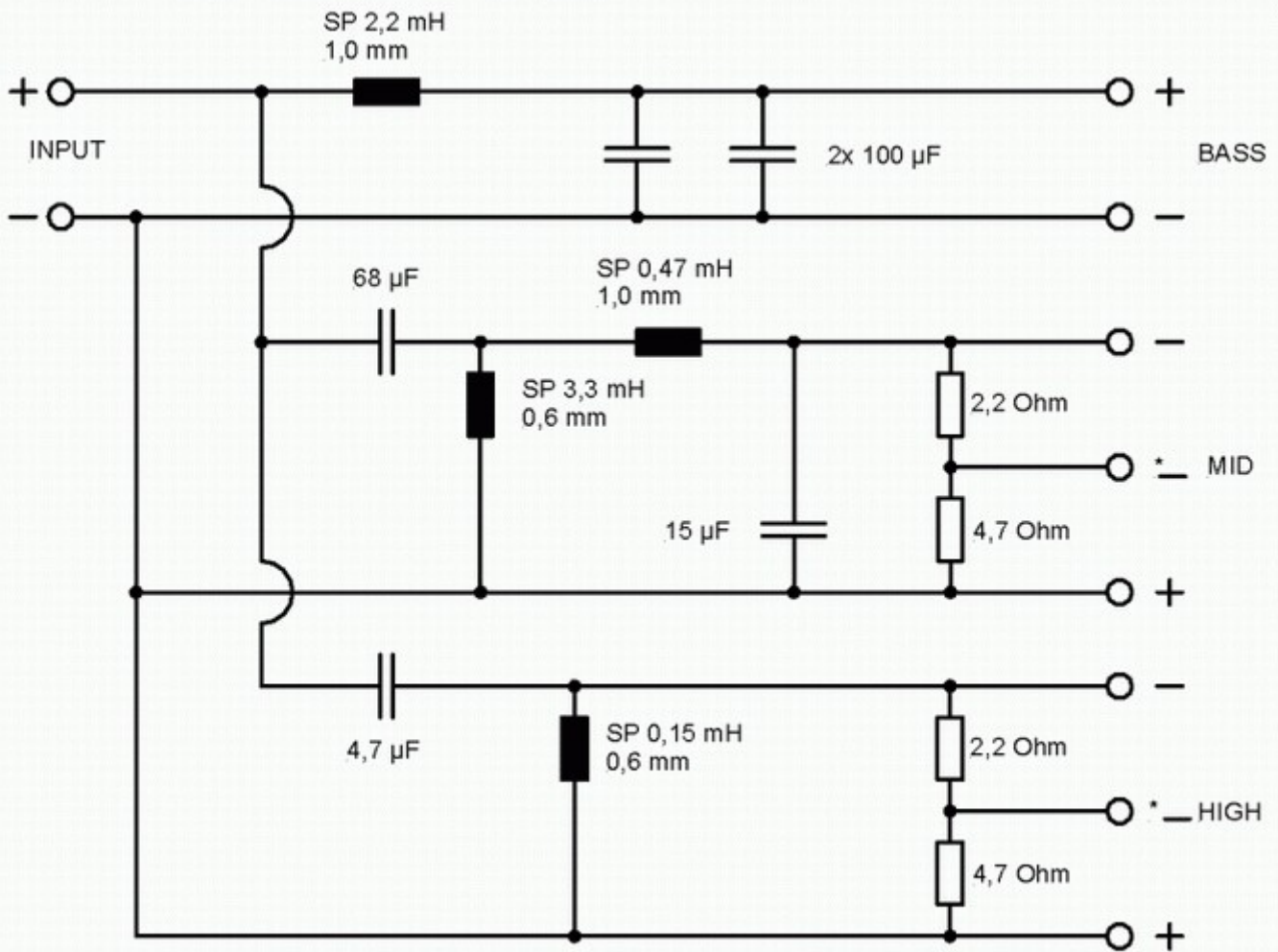
**Crossover** made of high-grade copper coils, MKT foil capacitors and low-loss audio **frequency electrolytic capacitors**, mounted on epoxy PC boards. Checked with regard to functioning, slope steepness and cross-over **frequency**.

## Technical Data

Rated power	120 W
Maximum power	180 W
Nominal impedance Z	4 Ohm
Skirt selectivity	12 dB / Okt.
Turn-over frequency	300 / 4000 Hz
Dimensions	155 x 180 mm

# HW 3/130 NG - 4 Ohm

HW 3/130 NG - 4 Ohm (300 / 4000 Hz) - 05.12.2008



\* alternativer Anschluss für Pegelabsenkung um - 3 dB  
(alternative connection for SPL lowering -3 dB)