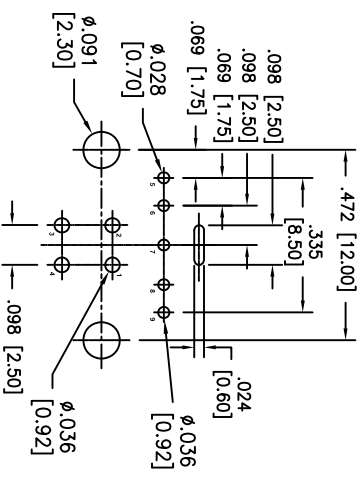
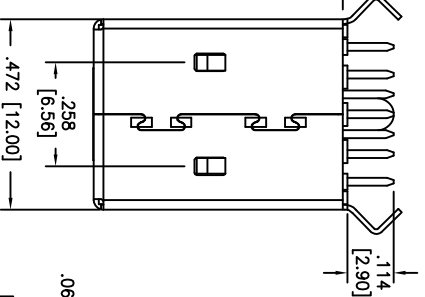
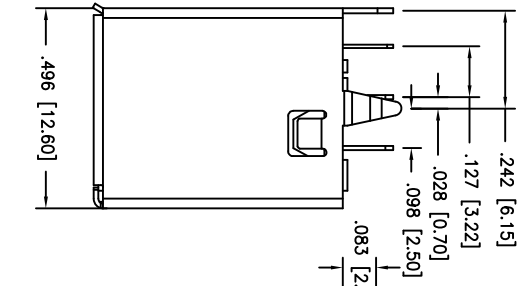
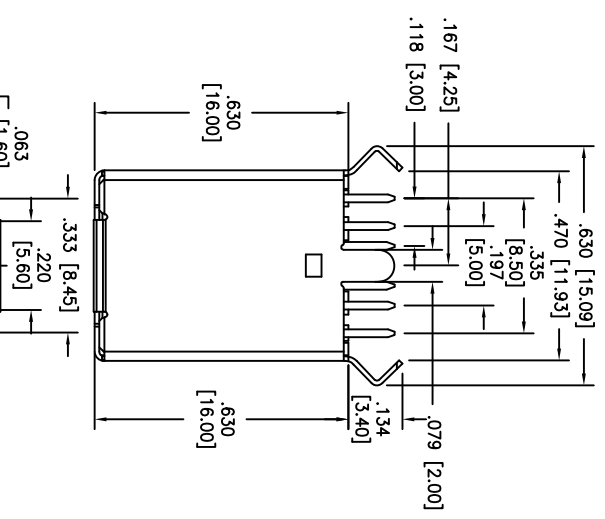
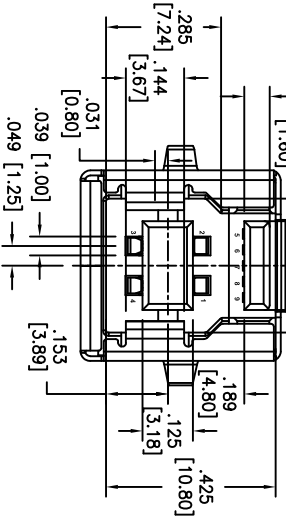


Rev	AWO #	Description	Date	Appr
-		RELEASED	12/6/10	

APPROVED: _____ TITLE: _____
 DATE: _____



RECOMMENDED PCB LAYOUT



SPECIFICATIONS:

Material:
 Insulator: Thermoplastic, rated UL 94V-0
 Insulator color: Blue
 Contacts: Copper Alloy
 Shell: Steel, Nickel plated
Plating:
 Gold over Nickel underplate on contact area,
 Tin over Copper underplate on solder tails.
Electrical:
 Current rating: 1.8A @ 250 VAC minute for power and ground
 Contact resistance: 30 mohms max.
 Insulation resistance: 100 Mohms min.
 Dielectric withstanding voltage: 100 VAC for 1 minute
Temperature Rating:
 Operating temperature: -55°C to +85°C
Environmental:
 Lead free, RoHS compliant.
 Recommended soldering temp: 235°C for 5 sec.



UNLESS OTHERWISE SPECIFIED ALL DIMENSIONS ARE MM TOLERANCES: EXCEPT AS NOTED INCHES		HOLE ± .10 ØXXX ± .015	
DRAWN AY		DATE 12/6/10	
CHECKED AH	12/6/10	TITLE UNIVERSAL SERIAL BUS 3.0, TYPE B SINGLE PORT, VERTICAL MOUNT	
APPROVED		SIZE PART NO. X USB-B3-S-VT	REV. -
APP: S00042C		SCALE: NTS	SHEET 1 OF 1

ADAM TECH

909 Railway Avenue, Union, NJ 07083
 Phone: 908-687-5000 Fax: 908-687-5710