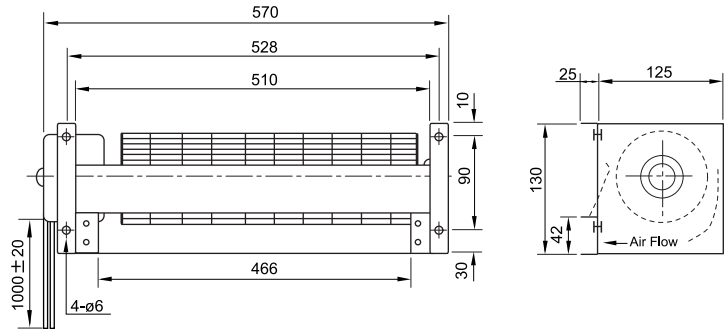
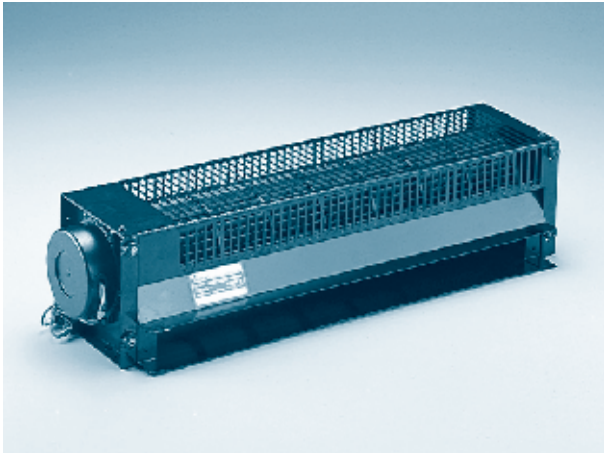


# UF9446 Series

Size : 570 x 150 x 130

Unit : mm



Model	Spec.	Rated Voltage V	Frequency Hz	Input Power W	Rated Current A	Locked Current A	Speed RPM	Maximum Air Flow m <sup>3</sup> /min.	Maximum Air Flow CFM	Maximum Pressure mmH <sub>2</sub> O	Maximum Pressure InchH <sub>2</sub> O	Noise dB	Weight kg
UF9446CBP12H-L		120	50	43	0.40	0.63	1350	8.5	300	3.5	0.14	48	3.6
			60	50	0.42	0.63	1550	10.0	354	5.0	0.20	53	
UF9446CBP23H-L		230	50	43	0.20	0.31	1350	8.5	300	3.5	0.14	48	3.6
			60	50	0.23	0.31	1550	10.0	354	5.0	0.20	53	