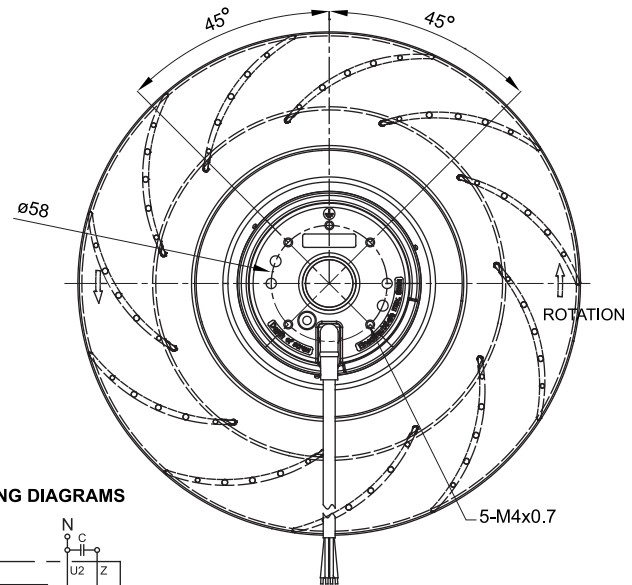
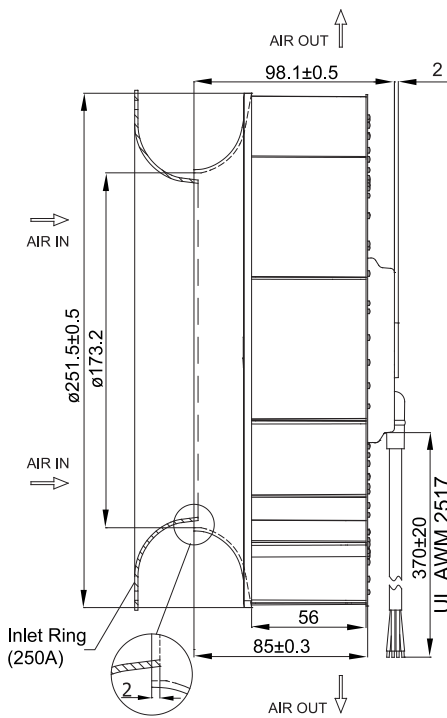
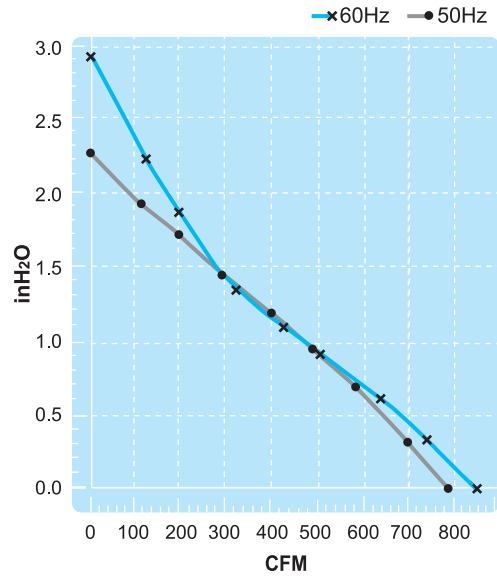


UF250APA Series

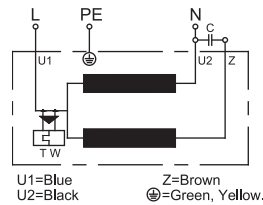


Thermal Protection

(Centrifugal Fan)



MOTOR WIRING DIAGRAMS



Lead Wire Type



Spec.	Rated Voltage	Frequency	Input Power	Rated Current	Locked Current	Speed	Maximum Air Flow	Maximum Air Flow	Maximum Pressure	Maximum Pressure	Capacitor	Noise	Weight
Model	V	Hz	W	A	A	RPM	m ³ /min.	CFM	mmH ₂ O	InchH ₂ O	μF/VDB	dB	kg
UF250APA11H1C2A	115V	50	170	1.50	3.10	2600	22	770	56	2.2	20/250	75	3.1
		60	240	2.10	3.00	2700	24	850	74	2.9		76	
UF250APA23H1C2A	230V	50	170	0.77	1.57	2600	22	770	56	2.2	5/450	75	3.1
		60	240	1.00	1.52	2700	24	850	74	2.9		76	