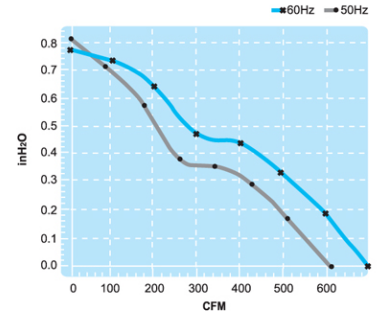
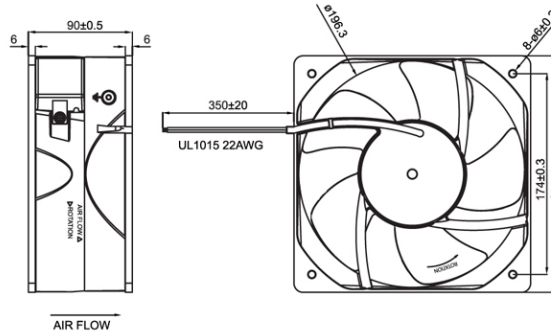


UF20JC Series

Size : 205 x 205 x 90

Unit : mm



Thermal Protection

Lead Wire Type



Spec. Model	Rated Voltage V	Frequency Hz	Input Power W	Rated Current A	Locked Current A	Speed RPM	Maximum Air Flow m ³ /min.	Maximum Air Flow CFM	Maximum Pressure mmH ₂ O	Maximum Pressure InchH ₂ O	Noise dB	Weight kg
UF20JC11-H	115V	50	70	0.62	1.22	2800	17.0	600	20.3	0.80	67	2.4
		60	98	0.90	1.22	3200	19.3	680	19.8	0.77	71	
UF20JC23-H	230V	50	70	0.32	0.60	2800	17.0	600	20.3	0.80	67	2.4
		60	98	0.45	0.61	3200	19.3	680	19.8	0.77	71	