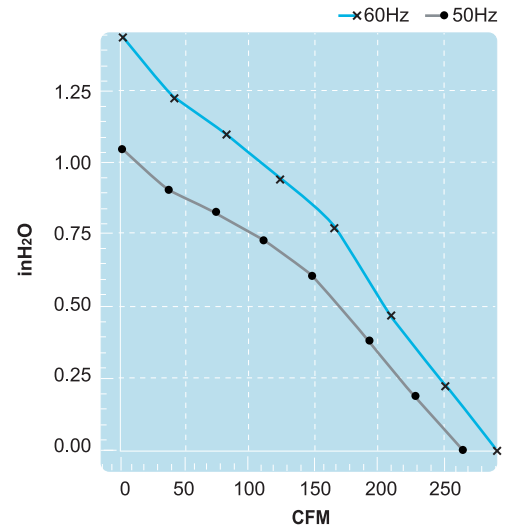
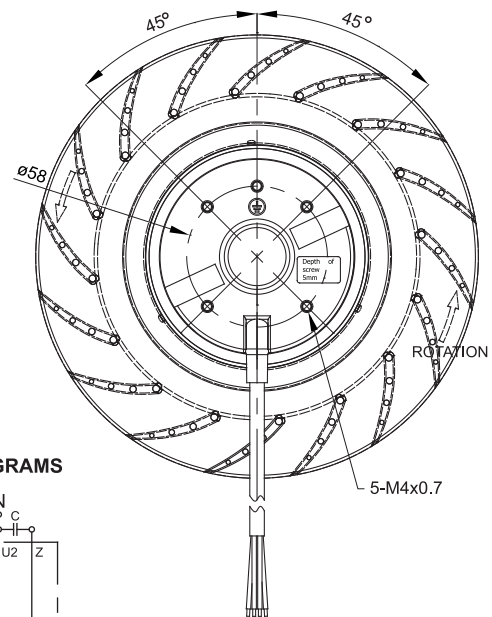
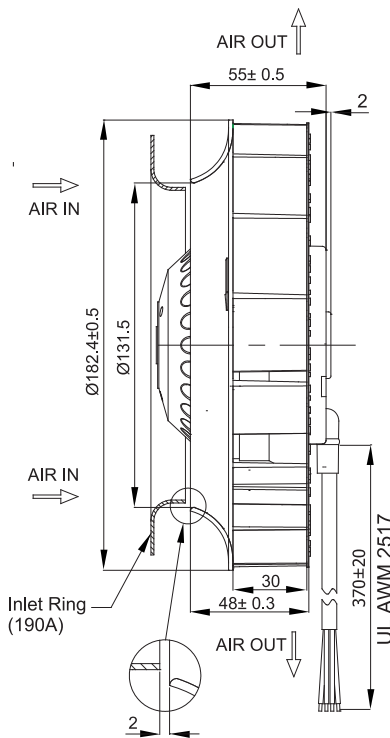


# UF180(55)APA Series

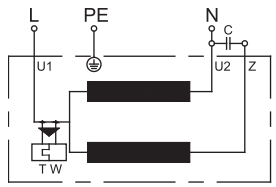
## (Centrifugal Fan)



### Thermal Protection



### MOTOR WIRING DIAGRAMS



U1=Blue  
U2=Black  
Z=Brown  
⊕=Green, Yellow.

### Lead Wire Type



Spec.	Rated Voltage	Frequency	Input Power	Rated Current	Locked Current	Speed	Maximum Air Flow	Maximum Air Flow	Maximum Pressure	Maximum Pressure	Capacitor	Noise	Weight
Model	V	Hz	W	A	A	RPM	m <sup>3</sup> /min.	CFM	mmH <sub>2</sub> O	InchH <sub>2</sub> O	μF/VDB	dB	kg
UF180(55)APA 11H1C2A	115V	50	68	0.60	0.92	2550	7.5	265	26	1.0	10/250	64	1.2
		60	78	0.70	0.95	2800	8.3	290	36	1.4		67	
UF180(55)APA 23H1C2A	230V	50	68	0.30	0.46	2550	7.5	265	26	1.0	2/450	64	1.2
		60	78	0.34	0.48	2800	8.3	290	36	1.4		67	