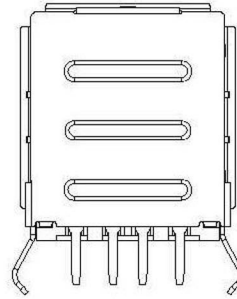
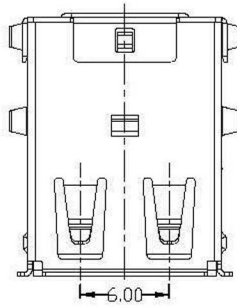
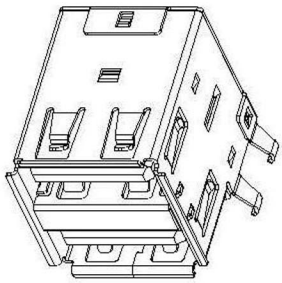
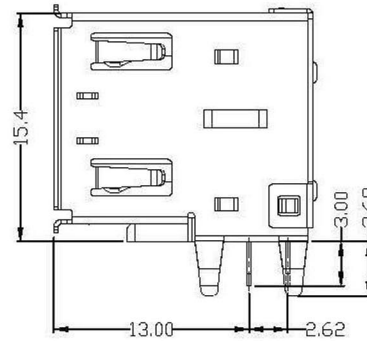
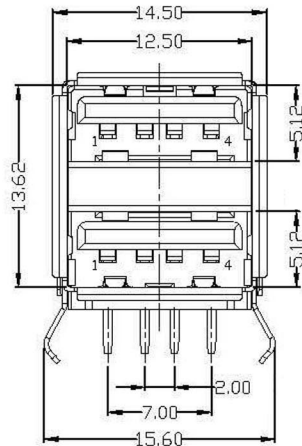
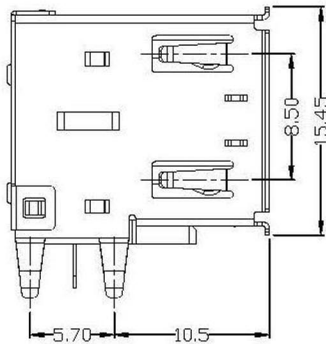


This document is the property of Amphenol Corporation and is delivered on the express condition that it is not to be disclosed, reproduced or used, in whole or in part, for the manufacture or sale by anyone other than Amphenol Corporation without its prior consent, and that no right is granted to disclose or to use any information in this document.



NOTES:

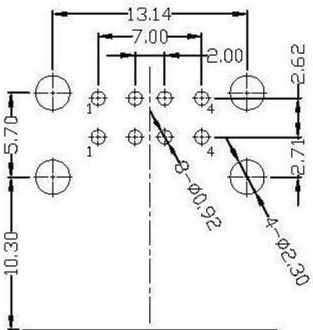
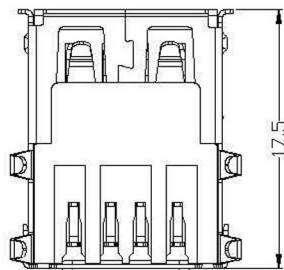
1. ELECTRICAL:
 - 1) VOLTAGE CURRENT RATING: 2AMP,30V AC;
 - 2) INSULATION RESISTANCE: 1000MΩ MIN;
 - 3) CONTACT RESISTANCE: 30mΩ MAX;
 - 4) WITHSTANDING VOLTAGE: 500V AC;
 - 5) OPERATING TEMPERATURE:-55°C TO +85°C.
2. Mechanical:
 - 1) Mating Force: 35N MAX
 - 2) Unmating Force: 10N MIN.



Ordering Information

TUEA4F4D X B

- X: Contact Plating
 0: G/F
 1: 10u" gold
 2: 15u" gold
 3: 30u" gold



RECOMMEND P.C.B LAYOUT

Tolerance: +/-0.05mm

NO	PARTS	MATERIAL	QTY	FINISHING
5	CLIP	COPPER ALLOY	1	PLATED NICKEL
4	BACK COVER	SPCC	1	PLATED NICKEL
3	HOUSING	PBT	1	UL94V-0
2	SHELL	COPPER ALLOY	1	PLATED NICKEL
1	TERMINAL	COPPER ALLOY	8	PLATED GOLD/TIN

TOLERANCE (mm)	APPROVALS	DATE	TITLE	AMPHENOL	
X. ±0.35	Stephane	2016/Jun/03	USB A Type Female R/A Dip	Amphenol European Design Center	
.X ±0.3	Rob	2016/Jun/03			
.XX ±0.25	Rob	2016/Jun/03			
UNLESS OTHERWISE SPECIFIED	UNIT: mm	SIZE: A4	DRAWING #	TUEA4F4DXB	Scale N.A. Sheet 1 of 1

REV. E