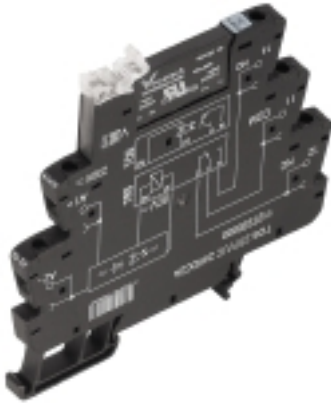


TERMSERIES TOS 24-230VUC 48VDC0,1A

Weidmüller Interface GmbH & Co. KG
 Klingenbergstraße 16
 D-32758 Detmold
 Germany
 Fon: +49 5231 14-0
 Fax: +49 5231 14-292083
 www.weidmueller.com



TERMSERIES complete solid-state relay modules 3 to 48 V DC 0.1 A output versions consisting of a solid-state relay and a base with AC/DC/UC input; available in different designs:

- With screw connection
- In 6.4 mm width
- Optionally with multiple-voltage input: 24 to 230 V UC
- With various protective circuits in the input (free-wheel diode, RC element)
- Illuminated ejection lever

General ordering data

| | |
|------------|---|
| Type | TOS 24-230VUC 48VDC0,1A |
| Order No. | 1127020000 |
| Version | TERMSERIES, Solid-state relay, Rated control voltage: 24...230 V UC $\pm 10\%$, Rated switching voltage: 3... 48 V DC, Rated switching current: 100 mA, Screw connection |
| GTIN (EAN) | 4032248908554 |
| Qty. | 10 pc(s). |

**TERMSERIES
TOS 24-230VUC 48VDC0,1A**

Weidmüller Interface GmbH & Co. KG
 Klingenbergstraße 16
 D-32758 Detmold
 Germany
 Fon: +49 5231 14-0
 Fax: +49 5231 14-292083
 www.weidmueller.com

Technical data
Dimensions and weights

| | | | |
|------------|--------|--------|-------|
| Width | 6.4 mm | Height | 90 mm |
| Depth | 88 mm | Weight | 34 g |
| Net weight | 36.4 g | | |

Temperatures

| | | | |
|---------------------|---|-----------------------|-----------------|
| Humidity | 5-95% rel. humidity, $T_u = 40^\circ\text{C}$, no condensation | Operating temperature | -20 °C...+60 °C |
| Storage temperature | -40 °C...+70 °C | | |

Probability of failure

| | |
|------|-------------|
| MTTF | 1,393 Years |
|------|-------------|

control side

| | | | |
|--------------------------------|-------------------------------------|----------------------------------|---|
| Cut-in dropout voltage | 11.5 V / 6 V AC 11.5 V / 5 V DC | Rated control voltage | 24...230 V UC $\pm 10\%$ |
| Nominal control current | 22 mA @ 24 V DC, 4 mA @ 230 V AC | Power rating | 530 mW @ 24 V DC, 930 mVA @ 230 V AC |
| Input frequency | 3 Hz | Protective circuit, control side | Rectifier |
| Status display on control side | Green LED | | |

Load side

| | | | |
|---------------------------|--------------------|-------------------------------|-----------------------------|
| Solid-state type | Bipolar transistor | Rated switching voltage | 3... 48 V DC |
| Continuous current | 100 mA | Rated switching current | 100 mA |
| Switch-on delay | < 20 ms | Switch-off delay | < 100 ms |
| Leakage current | < 10 μA | Protective circuit, load side | Integrated free-wheel diode |
| Voltage drop at max. load | $\leq 1\text{ V}$ | Short-circuit-proof | No |

General data

| | | | |
|---------------------------|--------------------|--------------|---|
| Solid-state type | Bipolar transistor | No. of poles | 1 |
| Wire connection method | Screw connection | Humidity | 5-95% rel. humidity, $T_u = 40^\circ\text{C}$, no condensation |
| UL 94 flammability rating | V-0 | Standards | DIN EN 50178 |

Insulation coordination

| | | | |
|--------------------------------------|--|---|------------------------------|
| Rated voltage | 300 V | Clearance and creepage distances for control side - load side | $\geq 5.5\text{ mm}$ |
| Dielectric strength to mounting rail | 4 $\text{kV}_{\text{eff}} / 1\text{ min.}$ | Impulse withstand voltage | 6 kV (1.2/50 μs) |
| Pollution severity | 2 | Surge voltage category | III |

Further details of approvals / standards

| | | | |
|-----------------------------|--------------|-------------------------|---------|
| Certificate No. (GERMLLOYD) | 47053-12 | Certificate no. (cULus) | E141197 |
| Standards | DIN EN 50178 | | |

Data sheet

TERMSERIES
TOS 24-230VUC 48VDC0,1A

Weidmüller Interface GmbH & Co. KG
 Klingenbergstraße 16
 D-32758 Detmold
 Germany
 Fon: +49 5231 14-0
 Fax: +49 5231 14-292083
 www.weidmueller.com

Technical data

Connection data

| | | | |
|--|----------------------|--|---------------------|
| Clamping range, rated connection | 1.5 mm ² | Clamping range, rated connection, max. | 1.5 mm ² |
| Clamping range, rated connection, min. | 0.14 mm ² | Stripping length, rated connection | 8 mm |
| Tightening torque, max. | 0.4 Nm | Wire connection method | Screw connection |

Classifications

| | | | |
|------------|-------------|------------|-------------|
| eClass 6.2 | 27-27-09-90 | eClass 7.1 | 27-27-09-90 |
|------------|-------------|------------|-------------|

Product information

| | |
|---------------------------------|---|
| Descriptive text ordering data | Spare solid-state relay Type: SSS 24 V/24 V 0.1A DC Orderno.: 4061180000 |
| Descriptive text technical data | Accessories and dimensional drawings: refer to the TERMSERIES Accessories page. |

Approvals

Approvals



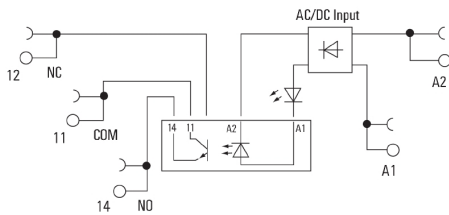
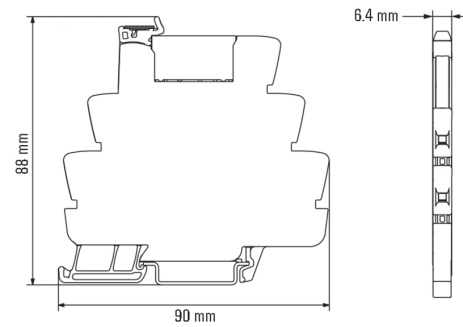
| | |
|------|---------|
| ROHS | Conform |
|------|---------|

Downloads

| | |
|---------------------------|--|
| Declaration of Conformity | K438_10_12.pdf |
| PDF | Operating Instructions |
| | 3-D model |

Data sheet**TERMSERIES
TOS 24-230VUC 48VDC0,1A**

Weidmüller Interface GmbH & Co. KG
Klingenbergstraße 16
D-32758 Detmold
Germany
Fon: +49 5231 14-0
Fax: +49 5231 14-292083
www.weidmueller.com

Drawings**Circuit diagram****Dimensioned drawing**

Data sheet

**TERMSERIES
TOS 24-230VUC 48VDC0,1A**

Weidmüller Interface GmbH & Co. KG
 Klingenbergstraße 16
 D-32758 Detmold
 Germany
 Fon: +49 5231 14-0
 Fax: +49 5231 14-292083
 www.weidmueller.com

Drawings

Type codes

