

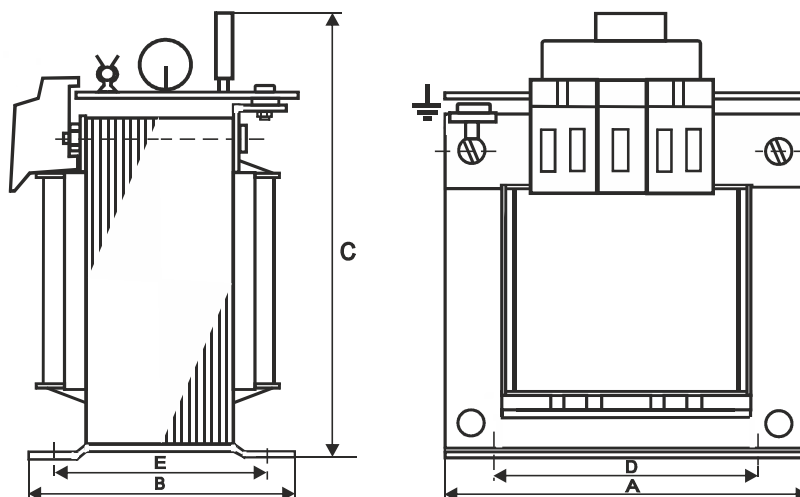


Power supplies built on a base of STM transformers with DC output designed to be built into industrial installations and process control equipment. They feature filtration system (STLF type) or stabilisation system (STLS type). The transformers are made with Class I insulation and protection grade IP00, maximum ambient temperature 40°C, thermal class of insulation B (130°C), manufactured in compliance with EN 61558

**Rated power:** 1 - 10 A DC

**Rated voltage PRI:** 230 V or 400 V 50/60 Hz

**Rated voltage SEC:** 24V DC



Type	Output	Dimensions [mm]					Mounting	Weight [kg]
		A	B	C	D	E		
STLF 30	24VDC/1A	66	53	94	50	40	M4	1,40
STLS 50	24VDCSTAB/1A	66	65	110	50	52	M4	1,60
STLF 75	24VDC/2A	84	61	110	64	47	M4	1,90
STLF 100	24VDC/3A	84	75	110	64	61	M4	2,10
STLF 200	24VDC/5A	96	87	120	84	70	M5	4,65
STLF 400	24VDC/10A	120	103	161	80	82	M5	5,80

As a result of constant development of product construction and changes concerning technical requirements, Breve Tufvassons reserves the right to change the parameters mentioned above.