

SSQCDMAR2011



These fuse/clip assemblies can efficiently placed in a single pass. Once reflowed, fuse replacement requires no resoldering.

**RoHS 6 Compliant Product**

RoHS Reflow Reference: Industrial standard 260°C, 40 sec max

**Electrical Specification**

Maximum Recommended Fuse Current Rating 8 Amperes, 125 Volts

**Environmental Specifications**

**Operating Temperature**

-55°C to 125°C

**Environmental Specifications**

**Operating Temperature**

-55°C to 125°C

**Shock**

MIL-STD-202, Method 213, Test Condition I (100 G's peak for 6 milliseconds)

**Vibration**

MIL-STD-202, Method 201 (10-55 Hz, 0.06 inch, total excursion)

**Insulation Resistance**

MIL-STD-202, Method 302, Test Condition A (After Opening) 10,000 ohms minimum.

**Solderability**

MIL-STD-202, Method 208

**Thermal Shock**

MIL-STD-202, Method 107, Test Condition B (-65°C to +125°C)

**Physical Specification**

**Materials**

Clip Terminals: Matte Tin Plated Inconel Alloy

**Packaging**

500 fuses in 7 inches dia. Reel, 16 mm wide tape, 8mm pitch, per EIA Standard 481-D.

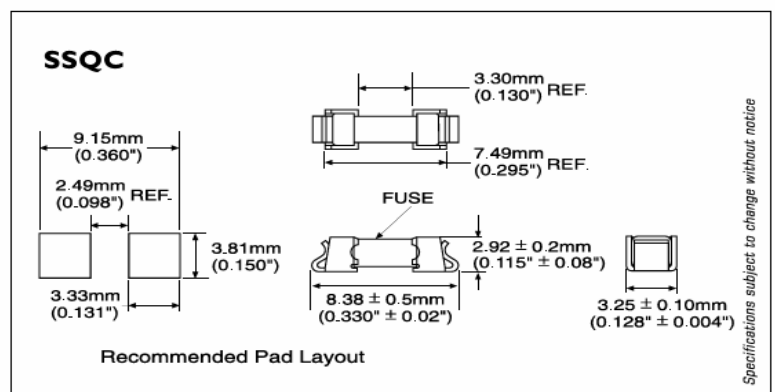
(Consult Bel sales for other reel quantities)

SSQ Square Ceramic Surface Mount Quick Action Fuse	
Catalog Number	Ampere Rating
SSQC 250	250mA
SSQC 375	375mA
SSQC 500	500mA
SSQC 750	750mA
SSQC 1	1A
SSQC 1.25	1.25A
SSQC 1.5	1.5A
SSQC 2	2A
SSQC 2.5	2.5A
SSQC 3	3A
SSQC 3.5	3.5A
SSQC 4	4A
SSQC 5	5A
SSQC 6.3	6.3A
SSQC 7	7A
SSQC 8	8A

SST Square Ceramic Surface Mount Slow Blow Fuse	
Catalog Number	Ampere Rating
SSTC 375	375mA
SSTC 500	500mA
SSTC 625	625mA
SSTC 750	750mA
SSTC 1	1A
SSTC 1.5	1.5A
SSTC 2	2A
SSTC 2.5	2.5A
SSTC 3	3A
SSTC 3.5	3.5A
SSTC 4	4A
SSTC 5	5A
SSTC 7	7A

Use of SSQ fuses rated higher than 8A, I.E. 10A,12A,15A may be suitable in clips with proper evaluation. (Consult with Bel engineering)

**Mechanical Dimensions**



ORDERING INFORMATION SEE LAST 2 PAGES