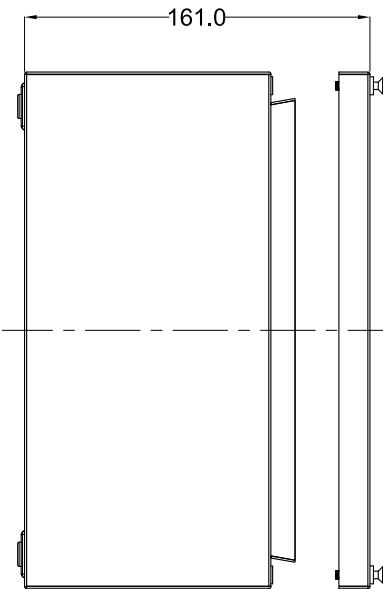
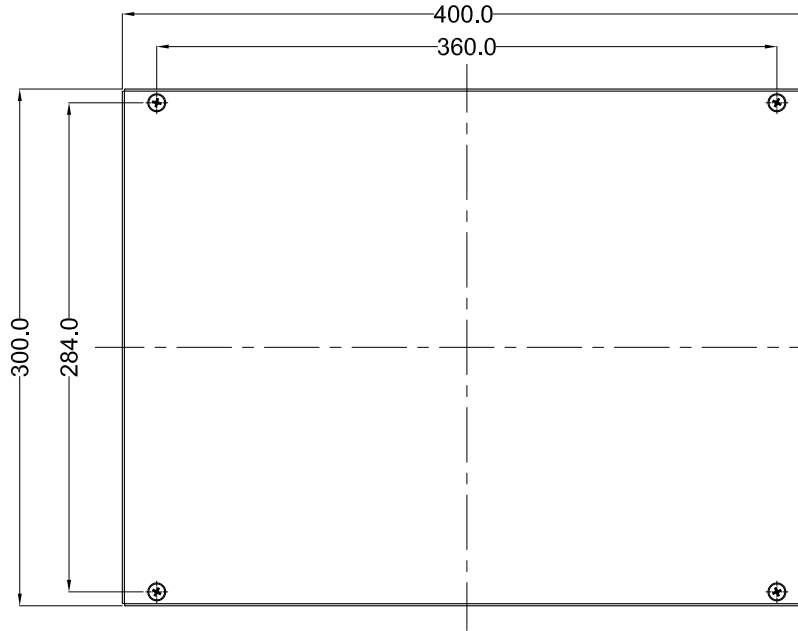
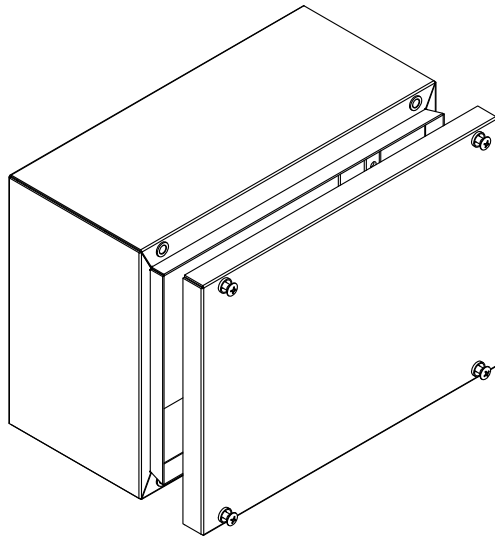
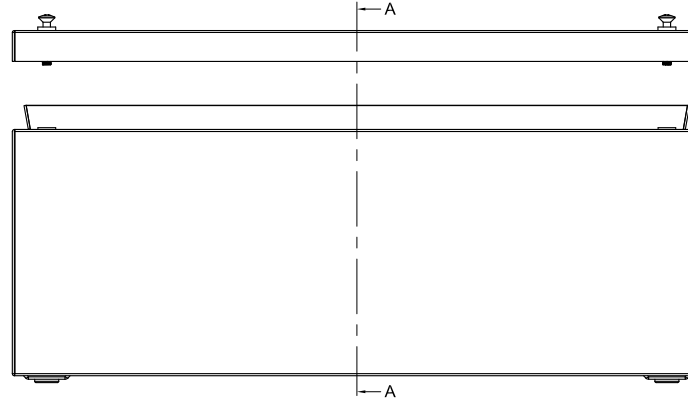



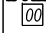
SECTION A-A



NOTE :-

- 1) ALL EDGES ARE BURR FREE
- 2) NON DIMENSIONAL RADIUS - 0.5mm

PROPERTY OF RaychemRPG (P) LTD.
ALL RIGHTS RESERVED AND/OR PHOTOCOPIING THIS DOCUMENT
TO A PERSON WITHOUT RaychemRPG (P)LTD. WRITTEN AUTHORIZATION IS PROHIBITED

Sr No.	Material	UOM	Qty	NO.	REV.NO.	DESCRIPTION	DATE	SIGN	NAME	DRAWN	CHECKED
1	Base Assembly		1								
1.1	Base	Nos	1	TITLE :- JUNCTION BOX ASSEMBLY 400 x 300 x 161			DATE	SIGN	NAME		
1.2	Din Rail Mounting Channel	Nos	2						RRPL DESIGN		
1.3	Blind NutSert M5 - SS 304 (Large Flanged)	Nos	4	MATERIAL			01/04/15		MANOJ DRAWN		
1.4	Bottom Sealing Cap	Nos	4				FINISH			01/04/15	
2	Lid Assembly		1	-							
2.1	Lid	Nos	1				SCALE			PARTNO.	
2.2	Sealing Gasket	M		 Raychem RPG (P) Limited Ceat Mahal Annexe, Dr. Annie Besant Road, Worli, Mumbai 400030 Web : www.raychemrpg.com						REV 	
2.3	Plastics Insert for Screw	Nos	4				ALL DIMENSION ARE IN MM				
2.4	Stud EN ISO 13918-PTM6x12- A2-50 - SS 304	Nos	1	-							
2.5	Oval Head Screw DIN 966-M5x30 - SS 304	Nos	4								