

VARISTOR



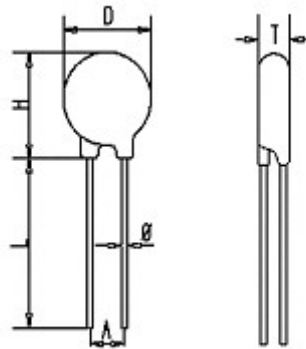
VAR14 Series

VAR14 Series varistors Size (mm)

Dmax	17
Hmax	19
Lmin	25
A±1	7.5
□±0.02	0.8

VAR14 Series varistor thickness Tmax(mm)

VAR14-25 – VAR14-60	5.0
VAR14-150	5.5
VAR14-250 – VAR14-300	6.0
VAR14-420	7.0
VAR14-460	7.5



Part No.	Varistor Voltage	Max.Allowable Voltage		Max.Clamping Voltage (8/20μS)		Energy (J)		Peak Current (8/20μS)		Rated Wattage	Capacitance
	V1mA (v)	Acrms (v)	DC (v)	Vc (v)	Ip (A)	10/1000 μS	2ms	1time (kA)	2times (kA)	(W)	1kHz (pF)
VAR14-25	35-43	25	31	77	10	11	9.4	2	1	0.1	7,500
VAR14-30	42-52	30	38	93	10	14	11	2	1	0.1	6,500
VAR14-60	90-110	60	85	165	50	35	25	6.5	5	0.6	3,400
VAR14-150	216-264	150	200	395	50	84	60	6.5	5	0.6	710
VAR14-250	351-429	250	320	650	50	140	100	6.5	5	0.6	480
VAR14-275	387-473	275	350	710	50	155	110	6.5	5	0.6	440
VAR14-300	423-517	300	385	775	50	175	125	6.5	5	0.6	420
VAR14-420	612-748	420	560	1120	50	200	145	6.5	5	0.6	290
VAR14-460	657-825	460	615	1240	50	210	150	6.5	5	0.6	260