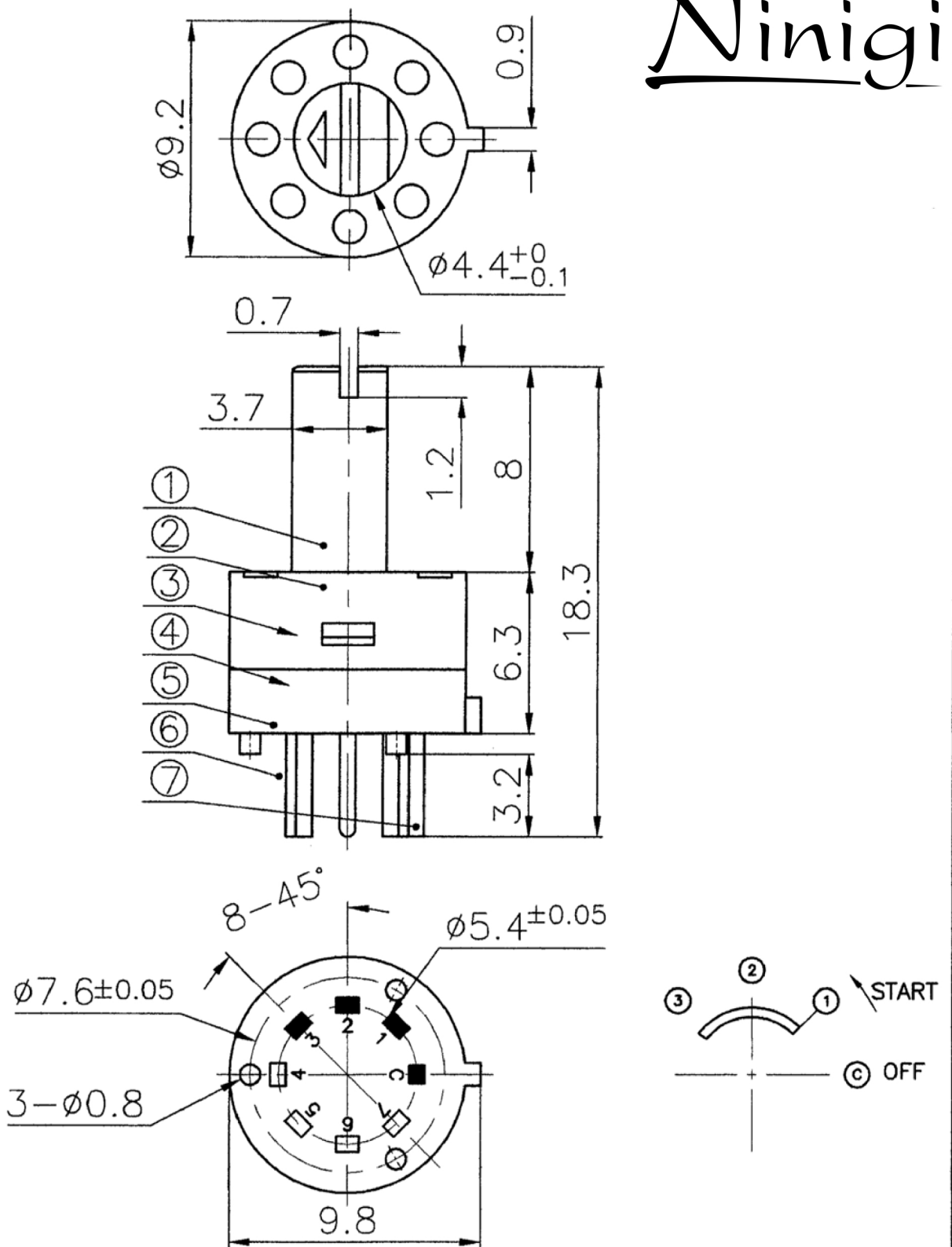


Ninigi



7	SR09205M	Internal terminal	1	Brass	No Plating			
6	SR09205N	External terminal	3	Brass	No Plating			
5	SR0911	Basic	1	PA66+15%GF	No Plating			
4	SR0906	Contact Plate	1	Phosphor Bronze	Sliver Plating			
3	SR0915	Spring.	1	SWPA	Tin Plating			
2	SR0909	Case	1	PBT	No Plating			
1	SR0901- FS	Shaft	1	PA66+15%GF	No Plating	1	Jul,16'13	

NO	Part No	Description	Q'TY	Material	Finishing	MODEL	SR09-1-3-8FS-N	B
TOLERANCES		DIMENSION	SCALE	DRAWING BY	CHECKED BY	APPROVED BY	DRAWING NO	
less than	10	± 0.3	m/m	/			SR09-002	Slide\SR09\Spec
above	10 - 30	± 0.5						
above	30 - 100	± 1.0						
angular dimension		$\pm 5^\circ$						