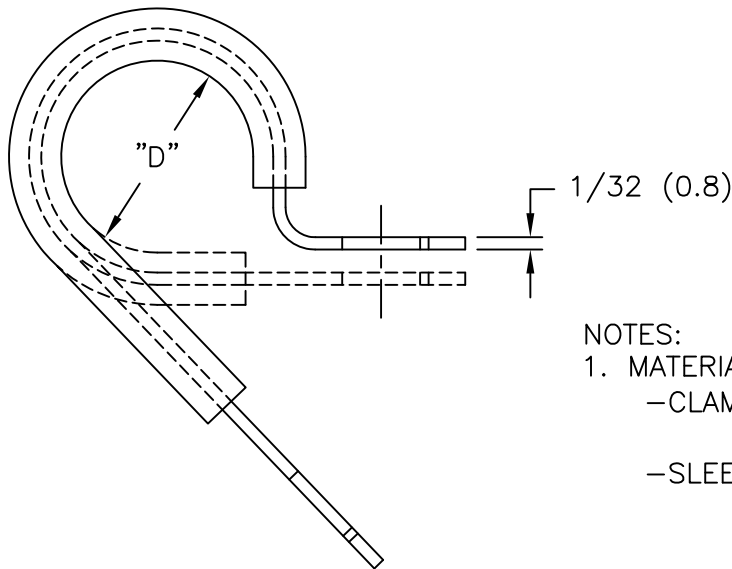


PART NO.	HOLDING DIA "D"	"E" REF.
SPN-3	3/16 (4.8)	.50 (12.7)
SPN-4	1/4 (6.4)	.53 (13.5)
SPN-5	5/16 (7.9)	.56 (14.2)
SPN-6	3/8 (9.5)	.59 (15.0)
SPN-7	7/16 (11.1)	.62 (15.7)
SPN-8	1/2 (12.7)	.65 (16.5)
SPN-9	9/16 (14.3)	.75 (19.1)
SPN-10	5/8 (15.9)	.78 (19.8)
SPN-11	11/16 (17.5)	.81 (20.6)
SPN-12	3/4 (19.1)	.84 (21.3)
SPN-14	7/8 (22.2)	.90 (22.9)
SPN-16	1.0 (25.4)	.96 (24.4)
SPN-18	1-1/8 (28.6)	1.05 (26.7)
SPN-20	1-1/4 (31.8)	1.11 (28.2)



NOTES:

1. MATERIALS:

- CLAMP: ZINC ELECTROPLATE (RMS-339).
COLD ROLLED STEEL (RMS-198).
- SLEEVE: TPE (RMS-387)

G SEE CO 200397 FOR CHANGES SK 07.24.09			TOLERANCES UNLESS NOTED .XX=±.010 .XXX=±.005 FRAC=±1/64 ANG=±1°			FILE # SPN		DWN: P.B.		APP:		DWG IN IN (MM)		FINAL		PRINT TYPE	
- SEE ENG FOR REV A-F -----			RE: RICHCO, INC.			MAT'L: SEE NOTES		DT: 10-17-94		DT:		PART #		SEE TABLE		CA	
REV DESCRIPTION ENGR DATE			RICHCO INC. PO BOX 804238, CHICAGO, 60680 (773) 539-4060														

TITLE: STEEL, TPE SLEEVE CLAMP

