



**Part no.** SL7-FL24-B  
**Article no.** 171402  
**Catalog No.** SL7-FL24-B

**Delivery programme**

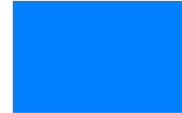
Product range  
 Basic function  
 Protection type  
 Rated operational voltage  
 Type of light  
 Light elements  
 Colour

U<sub>e</sub>

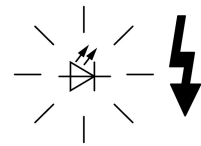
V

SL7 signal towers  
 Card with LED  
 IP66  
 24 V AC/DC  
 Strobe light  
 LED

Blue



Function



Connection to SmartWire-DT

no

**Approvals**

Product Standards  
 UL File No.  
 UL Category Control No.  
 CSA File No.  
 CSA Class No.  
 North America Certification  
 Degree of Protection

IEC/EN 60947-5-1; UL 508; CSA-C22.2 No. 14-10; CSA-C22.2 No. 94-91; CE marking  
 E29184  
 NKCR  
 UL report applies to both US and Canada  
 NKCR7  
 UL listed, certified by UL for use in Canada  
 UL Type 4, 4X, 13

**General**

Standards  
 Climatic proofing  
 Mounting position  
 Mechanical shock resistance  
 IEC degree of protection  
 Protection type UL  
 Material  
 Cap colour  
 Ambient temperature  
 Number of signal elements  
 Weight

Standards		IEC/EN 60947-5-1
Climatic proofing		Damp heat, constant, to IEC 60068-2-78 Damp heat, cyclic, to IEC 60069-2-30
Mounting position		As required
Mechanical shock resistance	g	> 15 according to IEC 60068-2-27 Shock duration 11 ms Sinusoidal
IEC degree of protection		IP66 IEC/EN 60529
Protection type UL		Type 4, 4X, 13
Material		Enclosure: Polycarbonate (PC), black Cap: Polycarbonate (PC)
Cap colour		Blue
Ambient temperature	°C	-30 - +60
Number of signal elements		Max. 5 with standard base Max. 10 with base for mounting on both sides
Weight	g	80

**Contacts**

Rated impulse withstand voltage  
 Rated insulation voltage  
 Overvoltage category/pollution degree

U <sub>imp</sub>	V AC	4000
U <sub>i</sub>	V	250
		III/3

**Module**

Type of light  
 Light elements  
 Flashing/strobe frequency  
 Leakage current  
 lifespan  
 Transmission angle

		Strobe light
		LED
		1.4 Hz
	A	< 0.003
	h	> 100000
		360°

Current-/power consumption

24 V AC/DC

Voltage levels

	A	0.130 - 0.135
		24 V AC/DC $\pm$ 10 %

### Technical data ETIM 5.0

Low-voltage industrial components (EG000017) / Optical module for signal tower (EC000232)

Electric engineering, automation, process control engineering / Low-voltage switch technology / Command and alarm device / Optical module for signal tower (ecl@ss8-27-37-12-20 [AKF038010])

Function

Flash light

Colour

Blue

Outer diameter

mm

73

Degree of protection (IP)

IP66

Operating voltage at AC 50 Hz

V

24 - 24

Operating voltage at AC 60 Hz

V

24 - 24

Operating voltage at DC

V

24 - 24

Voltage type

AC/DC

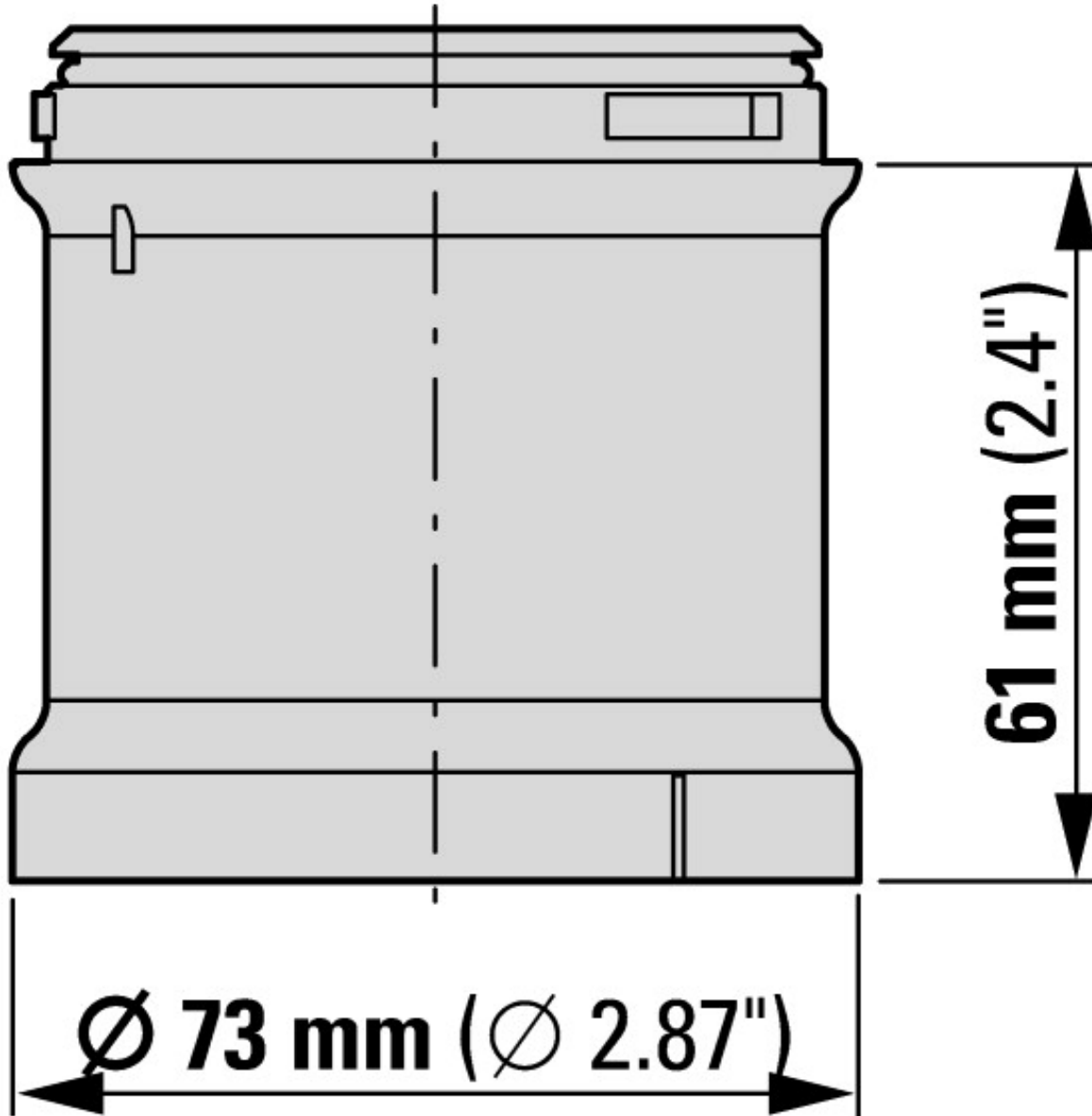
Type of lamp

LED

Colour housing

Black

### Dimensions



### Additional product information (links)

#### IL047004ZU SL7 Light Modules, Tone Modules

IL047004ZU SL7 Light Modules, Tone Modules

[ftp://ftp.moeller.net/DOCUMENTATION/AWA\\_INSTRUCTIONS/IL047004ZU2013\\_02.pdf](ftp://ftp.moeller.net/DOCUMENTATION/AWA_INSTRUCTIONS/IL047004ZU2013_02.pdf)

IL047004ZU SL7, modules lumineux, modules sonores

[ftp://ftp.moeller.net/DOCUMENTATION/AWA\\_INSTRUCTIONS/IL047004ZU2013\\_02.pdf](ftp://ftp.moeller.net/DOCUMENTATION/AWA_INSTRUCTIONS/IL047004ZU2013_02.pdf)